

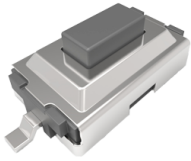
# SWITCHES

Operation: SMT/贴片式 中小型 轻触开关 [材质/力度可定制]

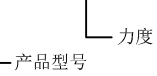


LTEM NO.: TS-1107S (Series)

(L6.0mm × W3.0mm × H2.6mm TACT-SWITCH)



TS-1107S - XX



表面贴装 SMT

正向操作 DOWN

精密部品 NICETY

可靠 STABILIZE

適合環保 RoHS

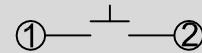
## Technical parameter

PROJECT	LEVEL	A[better product]	B[average product]
Electrical Properties	Contact Rating	25mA, 24V DC	
	Initial Contact Resistance	50mΩ max.	
Durable Performance	Insulation Resistance	100MΩ min. 500V DC	Skey/PD: 100MΩ min. 300V DC
	Withstand Voltage	500V AC for 1 minute	350 V AC for 1 minut
Durable Performance	There No Load	100,000 Cycles	65,000 Cycles
	Rated Load	85,000 Cycles	50,000 Cycles
Storage temp.		-40°C~+85°C(Operating Temp: )	
Operating Force		1.6 / 2.6N. (1N.=100gram-force)	
Heat Rrsistance		IR Reflow:255°C, 5sec. Manual:350°C, 3sec.	

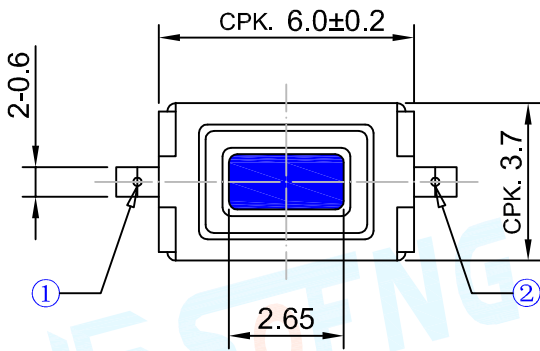
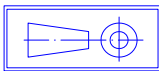
## Material declaration

No.	NAME	Description
① A	拨柄	LCP 30%耐高温塑胶 UL94V-0
② B	底座	LCP 30%(Gray)耐高温塑胶 UL94V-0
③ C	盖板	不锈钢 Q235-A t=0.15mm
④ D	簧片	单面覆银&/不锈钢 SUS304
⑤ E	嵌件	镀银&C5191R-H 磷青铜[镀锡]
⑥ F	覆膜	PTFE 特氟龙

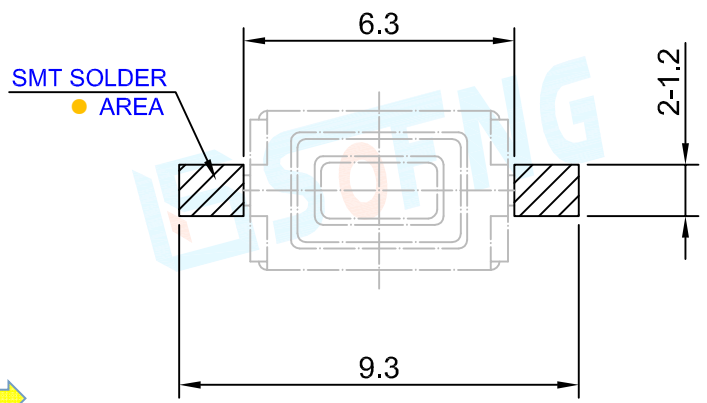
## CIRCUIT DIAGRAM



Unit:mm



## P.C.B LAYOUT



DECIMALS	ANGLES
.X :±0.20	X.° :±1.5°
.XX :±0.10	X.X° :±1.0°
.XXX :±0.05	.XXX° :±0.5°

