

Low Frequency Reflowable Tuning Fork Crystal



5.2 x 1.45 x 1.45mm

AB26TRQ

Pb in high melting temperature type solders exempt 7(a) and Pb in copper alloy up to 4% exemption 6(c) per RoHSII 2011/65/EU Annex **RoHS/RoHS II Compliant**

Moisture Sensitivity Level (MSL) = Level 1

FEATURES:

- Miniature square-body, formed lead SMD package: 5.2 x 1.45 x 1.45mm
- Excellent shock and vibration resistance
- Reflow Capable
- Low cost for consumer applications

APPLICATIONS:

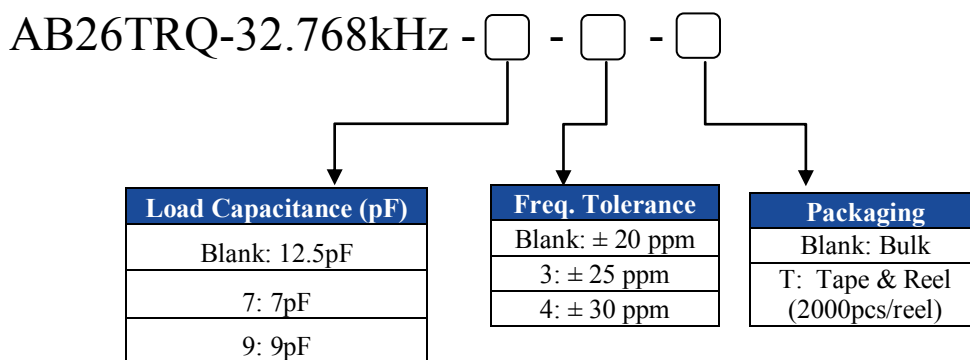
- Real time clock
- Measuring instruments
- Blue-tooth and wireless applications

STANDARD SPECIFICATIONS:

Parameters	Minimum	Typical	Maximum	Units	Notes
Frequency	32.768			kHz	
Operating Temperature	-40		+85	°C	
Turnover Temperature	+20	+25	+30	°C	
Storage Temperature	-55		+85	°C	
Frequency Tolerance @+25°C	-20		+20	ppm	See options
Frequency Coefficient (β)	-0.035±10%			ppm/°C ²	
Equivalent series resistance (R1)		50	65	kΩ	
Shunt capacitance (C0)		0.9		pF	
Motional capacitance (C1)		2.1		fF	
Load capacitance (CL)	12.5			pF	See options
Drive Level			1	μW	
Aging	-3		+3	ppm	@25°C First year
Insulation Resistance	500			MΩ	

OPTIONS & PART IDENTIFICATION:

(Left blank if standard)



Note: Please contact Abracon for tighter Freq. tolerance

Low Frequency Reflowable Tuning Fork Crystal



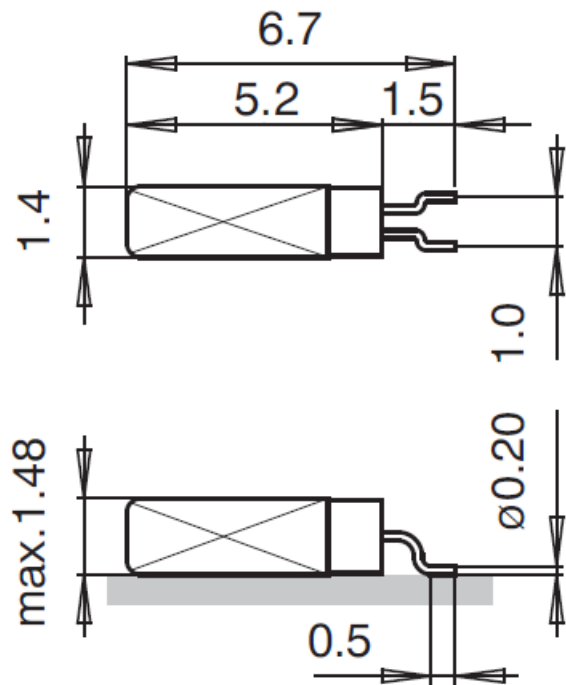
5.2 x 1.45 x 1.45mm

AB26TRQ

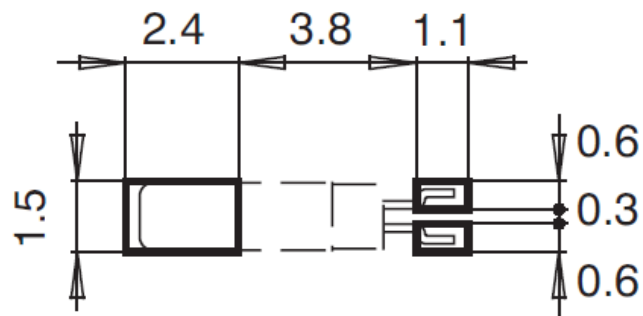
Pb in high melting temperature type solders exempt 7(a) and Pb in copper alloy up to 4% exemption 6(c) per RoHSII 2011/65/EU Annex

RoHS/RoHS II Compliant

OUTLINE DRAWING:

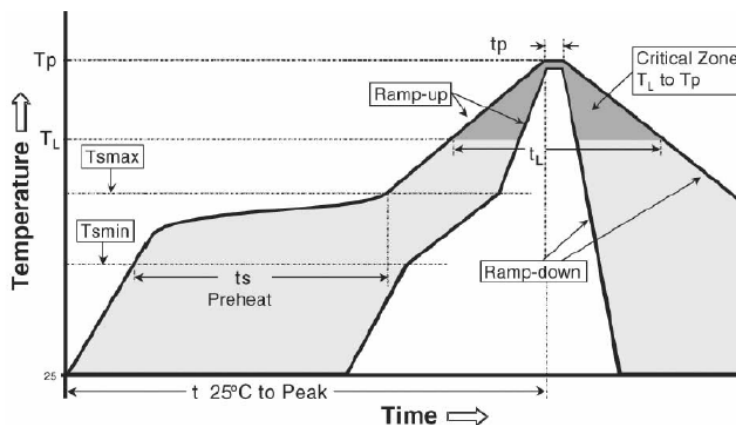


Recommended Land Pattern



Dimensions: mm

RECOMMENDED REFLOW PROFILE:



Temperature Range	Symbol	Condition	Unit
Average Ramp up Rate	($T_{S_{max}}$ to T_p)	3°C/second max	°C/s
Ramp Down Rate	T_{cool}	6°C/second max	°C/s
Time 25°C at Peak Temperature	$T_{to-peak}$	8 minutes max	m
Preheat			
Temperature Min	$T_{S_{min}}$	150	°C
Temperature Max.	$T_{S_{max}}$	200	°C
Time $T_{S_{min}}$ to $T_{S_{max}}$	T_s	60-180	Sec
Soldering above Liquidus			
Temperature Liquidus	T_L	217	°C
Time above Liquidus	t_L	60-150	Sec
Peak Temperature			
Peak Temperature	T_p	260	°C
Time within 5°C of Peak Temperature	t_p	20-40	Sec



Low Frequency Reflowable Tuning Fork Crystal



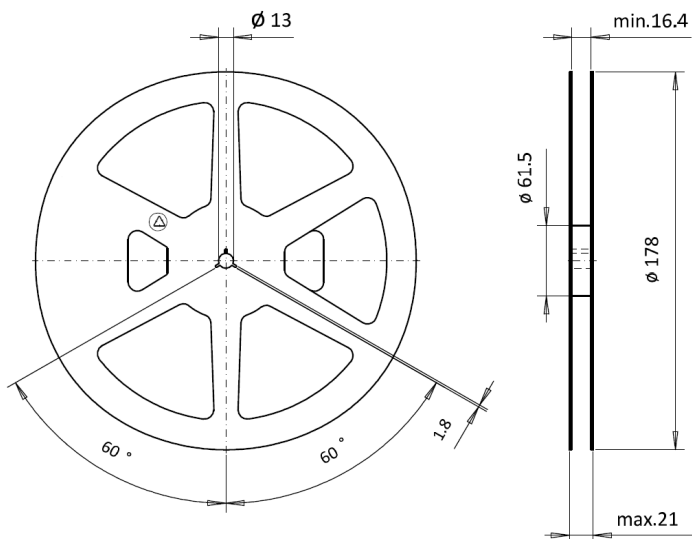
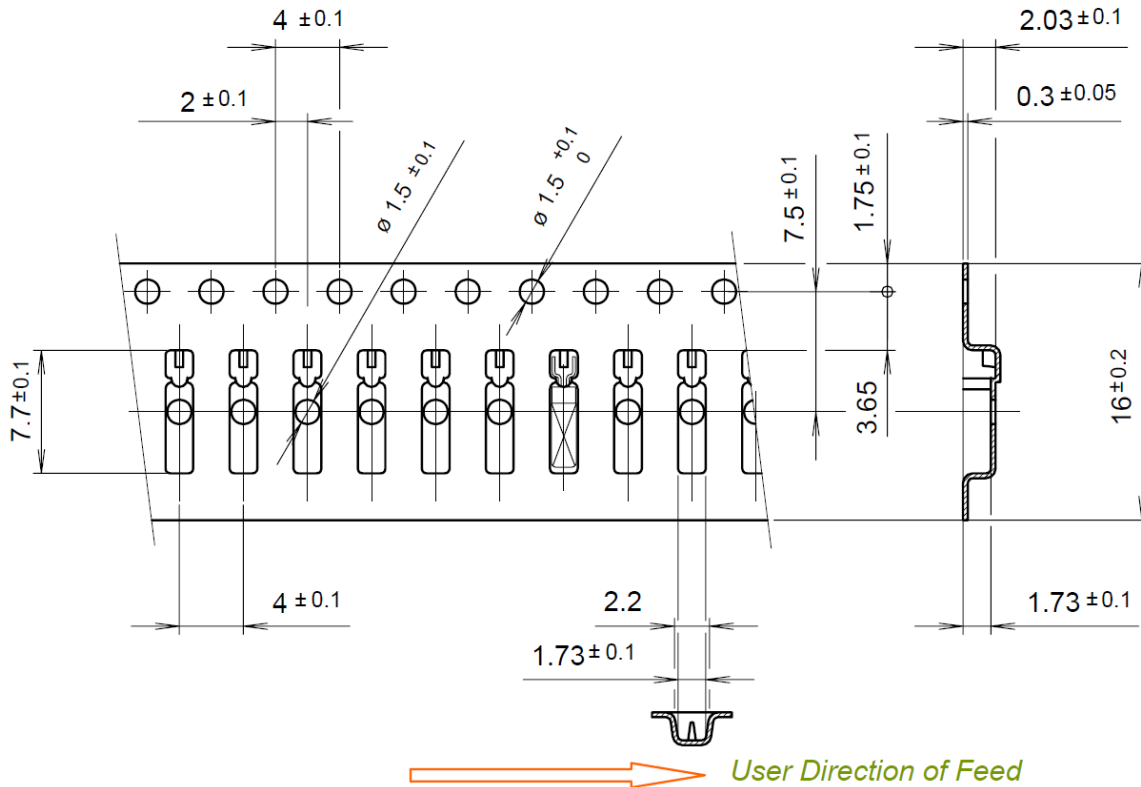
5.2 x 1.45 x 1.45mm

AB26TRQ

Pb in high melting temperature type solders exempt 7(a) and Pb in copper alloy up to 4% exemption 6(c) per RoHSII 2011/65/EU Annex **RoHS/RoHS II Compliant**

TAPE & REEL:

Packaging: T= Tape & Reel (2000pcs/reel)



Dimensions: mm

ATTENTION: Abracon Corporation's products are COTS – Commercial-Off-The-Shelf products; suitable for Commercial, Industrial and, where designated, Automotive Applications. Abracon's products are not specifically designed for Military, Aviation, Aerospace, Life-dependant Medical applications or any application requiring high reliability where component failure could result in loss of life and/or property. For applications requiring high reliability and/or presenting an extreme operating environment, written consent and authorization from Abracon Corporation is required. Please contact Abracon Corporation for more information.

ABRACON IS
ISO9001:2008
CERTIFIED



**ABRACON
CORPORATION**

Visit www.abracon.com for Terms & Conditions of Sale **Revised: 10.17.14**
30332 Esperanza, Rancho Santa Margarita, California 92688
tel 949-546-8000 | fax 949-546-8001 | www.abracon.com