

TLC6C5912-Q1 电源逻辑 12 通道移位寄存器 LED 驱动器

1 特性

- 适用于汽车电子 应用
- 宽 V_{CC} 电压范围：3.5V 至 5.5V
- 40V 的最大输出额定值
- 12 个功率 DMOS 晶体管输出， $V_{CC} = 5V$ 时的连续电流输出达 50mA
- 热关断保护
- 针对多级的增强型级联
- 所有寄存器由单一输入清零
- 低功耗
- 缓开关时间 (t_r 和 t_f)，这十分有助于减少电磁干扰 (EMI)
- 20 引脚薄型小外形尺寸 (TSSOP)-PW 封装
- 20 引脚 DW 封装

2 应用

- 仪表板
- 信号灯
- LED 照明和控制

3 说明

TLC6C5912-Q1 是一款单片、中等电压、低电流电源 12 位移位寄存器，设计用于需要相对适量负载功率的系统（如 LED）中。

此器件包含一个 12 位串入、并出移位寄存器，此寄存器为一个 12 位 D 类存储寄存器提供数据。移位和存储寄存器之间的数据传输分别在移位寄存器时钟 (SRCK) 和寄存器时钟 (RCK) 的上升边沿上发生。当移位寄存器清零 (\overline{CLR}) 为高电平时，存储寄存器将数据传输到输出缓冲器。一个 \overline{CLR} 上的低电平将器件中的所有寄存器清零。将输出使能 (\overline{G}) 保持为高电平将把输出缓冲器中的所有数据保存为低电平，并且所有漏极输出关闭。保持 \overline{G} 为低电平将使得来自存储寄存器中的数据对于输出缓冲器不可见。

当输出缓冲器中的数据为低电平时，DMOS 晶体管的输出被关闭。当数据为高电平时，DMOS 晶体管输出具有电流吸收功能。串行输出 (SER OUT) 在 SRCK 的下降沿随时钟移出器件，为级联应用提供更多保持时间。这对于时钟信号可能出现偏移的应用、放置位置相互不靠近的器件、或者电磁干扰较大的系统而言可以提升性能。此器件内置有热关断保护。

输出端为低侧开漏 DMOS 晶体管，输出额定电压为 40V， $V_{CC} = 5V$ 时拥有 50mA 的连续灌电流能力。电流限值随着结温上升而降低，从而提供额外的器件保护。该器件还提供高达 2000V 的 ESD 人体模型保护和 200V 的 ESD 机器模型保护。

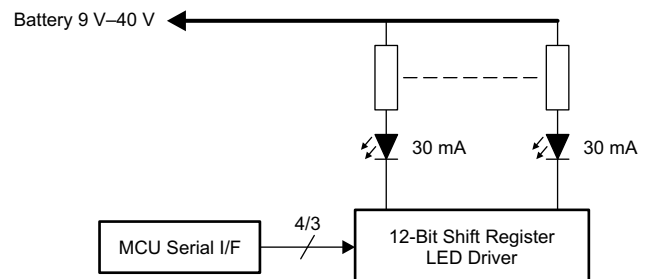
TLC6C5912-Q1 的额定运行环境温度范围为 -40°C 至 125°C 。

器件信息⁽¹⁾

器件型号	封装	封装尺寸 (标称值)
TLC6C5912-Q1	SOIC (20)	12.80mm x 7.50mm
	TSSOP (20)	6.50mm x 4.40mm

(1) 要了解所有可用封装，请参见数据表末尾的可订购产品附录。

典型应用电路原理图



目录

1	特性	1	8.3	Feature Description	10
2	应用	1	8.4	Device Functional Modes	11
3	说明	1	9	Application and Implementation	12
4	修订历史记录	2	9.1	Application Information	12
5	Pin Configuration and Functions	3	9.2	Typical Application	12
6	Specifications	4	10	Power Supply Recommendations	15
6.1	Absolute Maximum Ratings	4	11	Layout	15
6.2	ESD Ratings	4	11.1	Layout Guidelines	15
6.3	Recommended Operating Conditions	4	11.2	Layout Example	15
6.4	Thermal Information	5	12	器件和文档支持	16
6.5	Electrical Characteristics	5	12.1	接收文档更新通知	16
6.6	Switching Characteristics	5	12.2	社区资源	16
6.7	Typical Characteristics	7	12.3	商标	16
7	Parameter Measurement Information	9	12.4	静电放电警告	16
8	Detailed Description	10	12.5	Glossary	16
8.1	Overview	10	13	机械、封装和可订购信息	16
8.2	Functional Block Diagram	10			

4 修订历史记录

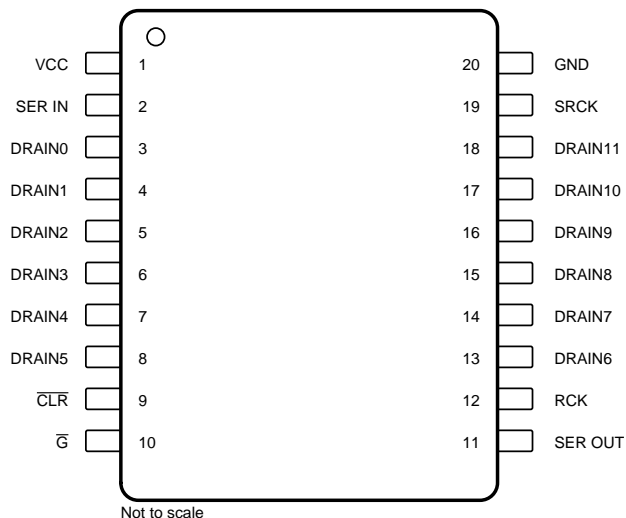
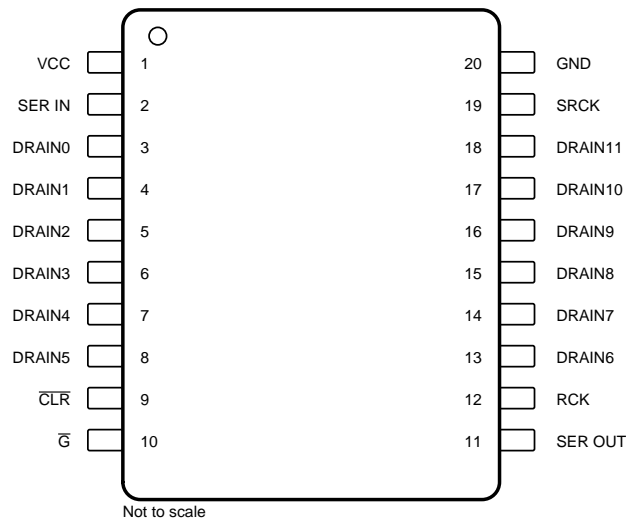
注：之前版本的页码可能与当前版本有所不同。

Changes from Revision B (December 2015) to Revision C	Page
• Changed $r_{DS(on)}$ test condition from 50 mA to 20 mA	5
• 已添加接收文档更新通知部分	16

Changes from Revision A (January 2013) to Revision B	Page
• 已添加 引脚配置和功能部分, ESD 额定值表, 特性描述部分, 器件功能模式, 应用和实施部分, 电源相关建议部分, 布局部分, 器件和文档支持部分以及机械、封装和可订购信息部分	1

Changes from Original (December 2012) to Revision A	Page
• 已将器件状态从“产品预览”改为“量产数据”	1

5 Pin Configuration and Functions

**PW Package
20-Pin TSSOP
Top View**

**DW Package
20-Pin SOIC
Top View**


Pin Functions

PIN		I/O	DESCRIPTION
NAME	NO.		
$\overline{\text{CLR}}$	9	I	Shift register clear, active-low: $\overline{\text{CLR}}$ is the signal used to clear all the registers. The storage register transfers data to the output buffer when shift register clear $\overline{\text{CLR}}$ is high. Driving CLR is low clears all the registers in the device.
DRAIN0	3	O	Open-drain output: DRAIN0 to DRAIN11 are the LED current-sink channels. These pins connect to the LED cathodes, and they can survive up to 40-V LED supply voltage. This is quite helpful during automotive load-dump conditions.
DRAIN1	4	O	
DRAIN2	5	O	
DRAIN3	6	O	
DRAIN4	7	O	
DRAIN5	8	O	
DRAIN6	13	O	
DRAIN7	14	O	
DRAIN8	15	O	
DRAIN9	16	O	
DRAIN10	17	O	
DRAIN11	18	O	
$\overline{\text{G}}$	10	I	Output enable, active-low: $\overline{\text{G}}$ is the LED channel enable and disable input pin. Having $\overline{\text{G}}$ low enables all drain channels according to the output-latch register content. When high, all channels are off.
GND	20	—	Power ground: GND is the ground reference pin for the device. This pin must connect to the ground plane on the PCB.
RCK	12	I	Register clock: RCK is the storage register clock. The data in each shift register stage transfers to the storage register at the rising edge of RCK. Data in the storage register appears at the output whenever the output enable $\overline{\text{G}}$ input signal is high.
SER IN	2	I	Serial-data input: SER IN is the serial data input. Data on SER IN loads into the internal register on each rising edge of SRCK.

Pin Functions (continued)

PIN		I/O	DESCRIPTION
NAME	NO.		
SER OUT	11	O	Serial-data output: SER OUT is the serial data output of the 12-bit serial shift register. The purpose of this pin is to cascade several devices on the serial bus. By connecting the SER OUT pin to the SER IN input of the next device on the serial bus to cascade, the data transfers to the next device on the falling edge of SRCK. This can improve the cascade application reliability, as it can avoid the issue that the second device receives SRCK and data input at the same rising edge of SRCK.
SRCK	19	I	Shift-register clock: SRCK is the serial clock input. On each rising SRCK edge, data transfers from SER IN to the internal serial shift registers.
V _{CC}	1	I	Power supply: V _{CC} is the power supply pin voltage for the device. TI recommends adding a 0.1 μF ceramic capacitor close to the pin.

6 Specifications

6.1 Absolute Maximum Ratings

 over operating free-air temperature range (unless otherwise noted)⁽¹⁾

	MIN	MAX	UNIT
V _{CC} Logic supply voltage		8	V
V _I Logic input-voltage	-0.3	8	V
V _{DS} Power DMOS drain-to-source voltage		42	V
Continuous total dissipation	See Thermal Information		
Operating ambient temperature (Top)		125	°C
T _J Operating junction temperature	-40	150	°C
T _{stg} Storage temperature	-55	165	°C

- (1) Stresses beyond those listed under *Absolute Maximum Ratings* may cause permanent damage to the device. These are stress ratings only, which do not imply functional operation of the device at these or any other conditions beyond those indicated under *Recommended Operating Conditions*. Exposure to absolute-maximum-rated conditions for extended periods may affect device reliability.

6.2 ESD Ratings

	VALUE	UNIT
V _(ESD) Electrostatic discharge	Human body model (HBM), per AEC Q100-002 ⁽¹⁾	±2000
	Charged device model (CDM), per AEC Q100-011	±750

- (1) AEC Q100-002 indicates HBM stressing is done in accordance with the ANSI/ESDA/JEDEC JS-001 specification.

6.3 Recommended Operating Conditions

	MIN	MAX	UNIT
V _{CC} Supply voltage	3	5.5	V
V _{IH} High-level input voltage	2.4		V
V _{IL} Low-level input voltage		0.7	V
t _{su} Setup time, SER IN high before SRCK↑	15		ns
t _h Hold time, SER IN high after SRCK↑	15		ns
t _w Pulse duration	40		ns
T _C Operating case temperature	-40	125	°C

6.4 Thermal Information

THERMAL METRIC ⁽¹⁾		TLC6C5912-Q1		UNIT
		20 PINS		
		PW (TSSOP)	DW (SOIC)	
R _{θJA}	Junction-to-ambient thermal resistance	114.8	81.2	°C/W
R _{θJC(top)}	Junction-to-case (top) thermal resistance	44.1	45.4	°C/W
R _{θJB}	Junction-to-board thermal resistance	61.3	49.1	°C/W
ψ _{JT}	Junction-to-top characterization parameter	4.7	17.5	°C/W
ψ _{JB}	Junction-to-board characterization parameter	60.8	48.6	°C/W

(1) For more information about traditional and new thermal metrics, see the [Semiconductor and IC Package Thermal Metrics](#) application report.

6.5 Electrical Characteristics

V_{CC} = 5 V, T_C = 25°C (unless otherwise noted)

PARAMETER		TEST CONDITIONS		MIN	TYP	MAX	UNIT
DRAIN0 to DRAIN11, drain-to-source voltage						40	V
V _{OH}	High-level output voltage, SER OUT	I _{OH} = -20 μA	V _{CC} = 5 V	4.9	4.99		V
		I _{OH} = -4 mA		4.5	4.69		
V _{OL}	Low-level output voltage, SER OUT	I _{OH} = 20 μA	V _{CC} = 5 V	0.001 0.01			V
		I _{OH} = 4 mA		0.25	0.4		
I _{IH}	High-level input current	V _{CC} = 5 V, V _I = V _{CC}		0.2			μA
I _{IL}	Low-level input current	V _{CC} = 5 V, V _I = 0		-0.2			μA
I _{CC}	Logic supply current	V _{CC} = 5 V, No clock signal	All outputs off	0.1 1			μA
			All outputs on	130	170		
I _{CC(FRQ)}	Logic supply current at frequency	f _{SRCK} = 5 MHz, C _L = 30 pF, all outputs on		300			μA
I _{DSX}	Off-state drain current	V _{DS} = 30 V, V _{CC} = 5 V				0.1	μA
		V _{DS} = 30 V, T _C = 125°C, V _{CC} = 5 V				0.15 0.3	
r _{DS(on)}	Static drain-source on-state resistance	I _D = 20 mA, V _{CC} = 5 V, T _A = 25°C, single channel ON		6	7.4	8.6	Ω
		I _D = 20 mA, V _{CC} = 5 V, T _A = 25°C, all channels ON		6.7	8.9	9.6	
		I _D = 20 mA, V _{CC} = 3.3 V, T _A = 25°C, single channel ON		7.9	9.3	11.2	
		I _D = 20 mA, V _{CC} = 3.3 V, T _A = 25°C, all channels ON		8.7	10.6	12.3	
		I _D = 20 mA, V _{CC} = 5 V, T _A = 125°C, single channel ON		9.1	11.2	12.9	
		I _D = 20 mA, V _{CC} = 5 V, T _A = 125°C, all channels ON		10.3	13	14.5	
		I _D = 20 mA, V _{CC} = 3.3 V, T _A = 125°C, single channel ON		11.6	13.7	16.4	
I _D = 20 mA, V _{CC} = 3.3 V, T _A = 125°C, all channels ON		12.8	15.6	18.2			
T _{SHUTDOWN}	Thermal shutdown trip point			150	175	200	°C
T _{HYS}	Hysteresis			15			°C

6.6 Switching Characteristics

V_{CC} = 5 V, T_J = 25°C

PARAMETER		TEST CONDITIONS	MIN	TYP	MAX	UNIT
t _{PLH}	Propagation delay time, low-to-high-level output from \overline{G}	C _L = 30 pF, I _D = 48 mA	210			ns
t _{PHL}	Propagation delay time, high-to-low-level output from \overline{G}		75			
t _r	Rise time, drain output		250			
t _f	Fall time, drain output		200			
t _{pd}	Propagation delay time, SRCK↓ to SEROUT	C _L = 30 pF, I _D = 48 mA	35			ns
T _{or}	SEROUT rise time (10% to 90%)	C _L = 30 pF	20			ns
T _{of}	SEROUT fall time (90% to 10%)	C _L = 30 pF	20			ns

Switching Characteristics (continued)
 $V_{CC} = 5\text{ V}$, $T_J = 25^\circ\text{C}$

PARAMETER		TEST CONDITIONS	MIN	TYP	MAX	UNIT
$f_{(SRCK)}$	Serial clock frequency	$C_L = 30\text{ pF}$, $I_D = 20\text{ mA}$			10	MHz
T_{SRCK_WH}	SRCK pulse duration, high		30			ns
T_{SRCK_WL}	SRCK pulse duration, low		30			ns

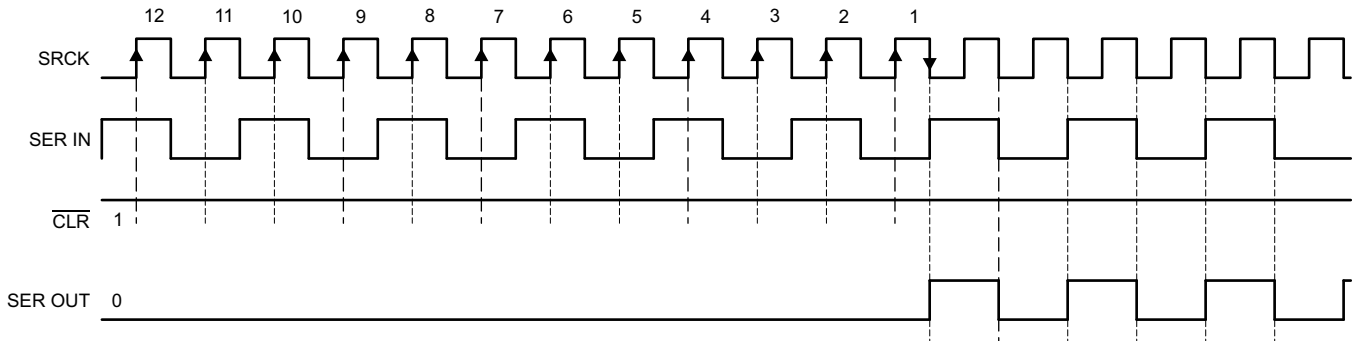

图 1. SER IN to SER OUT Waveform

图 1 显示了 SER IN 到 SER OUT 的波形。输出信号出现在移位寄存器时钟 (SRCK) 的下降沿，因为在 SER OUT 处有一个反相器 (参见图 2)。因此，数据从 SER IN 转移到 SER OUT 需要七个半 SRCK 周期。

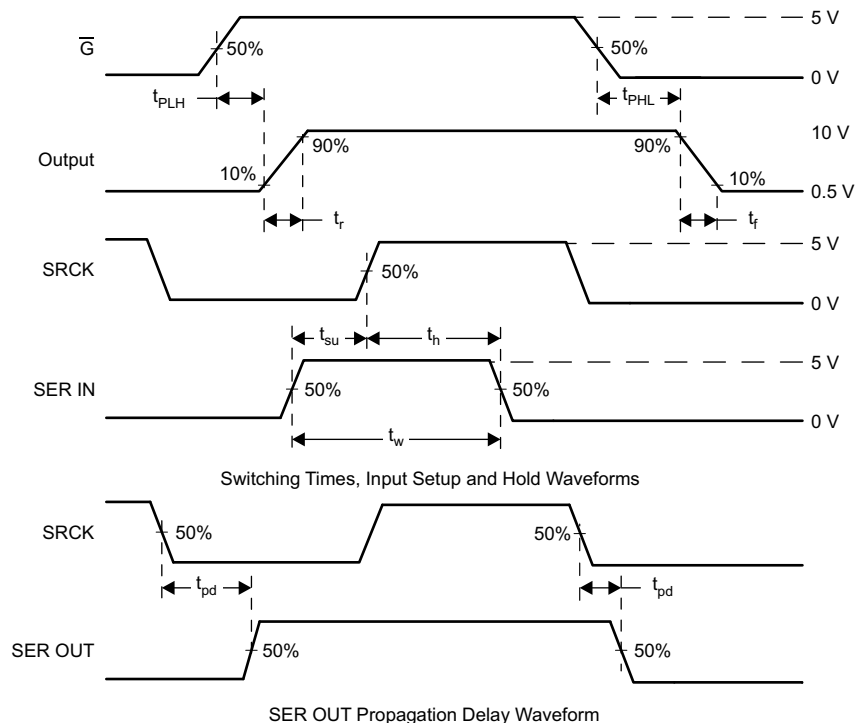

图 2. Switching Times and Voltage Waveforms

图 2 显示了开关时间和电压波形。所有这些参数的测试都是在图 12 所示的测试电路中进行的。

6.7 Typical Characteristics

Conditions for 图 5 and 图 6: Single channel on; conditions for 图 7, 图 8, and 图 9: All channels on.

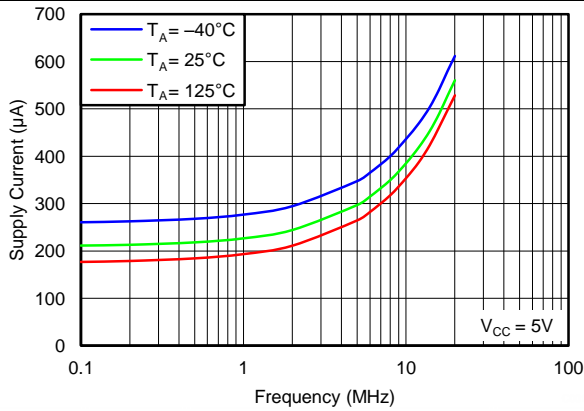


图 3. Supply Current vs Frequency

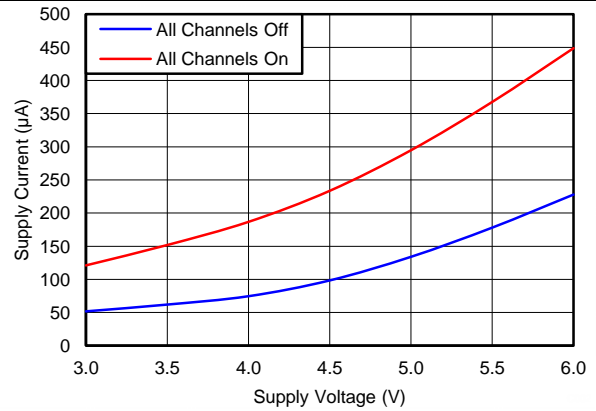


图 4. Supply Current vs Supply Voltage

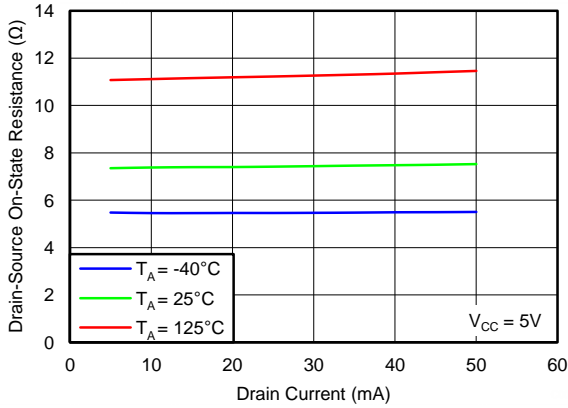


图 5. Drain-to-Source On-State Resistance vs Drain Current

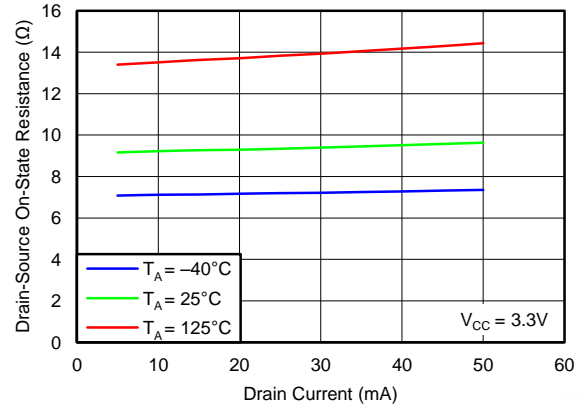


图 6. Drain-to-Source On-State Resistance vs Drain Current

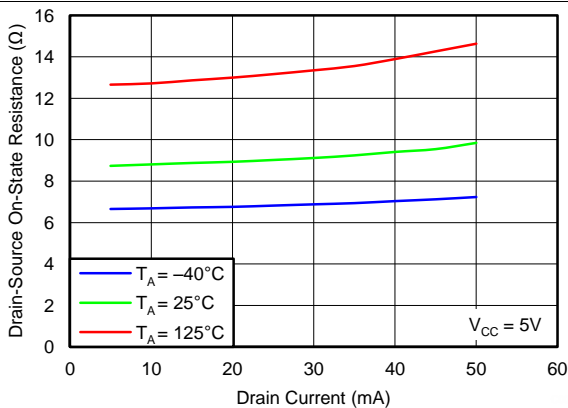


图 7. Drain-to-Source On-State Resistance vs Drain Current

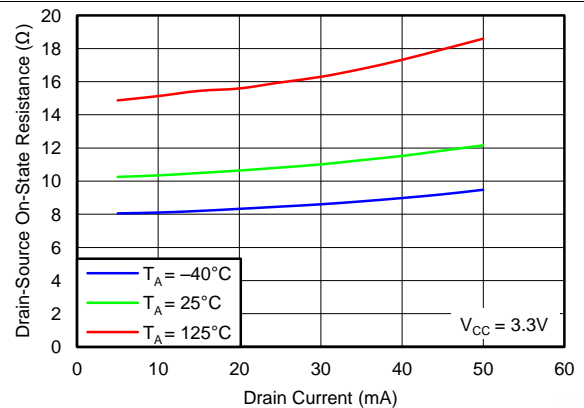


图 8. Drain-to-Source On-State Resistance vs Drain Current

Typical Characteristics (接下页)

Conditions for 图 5 and 图 6: Single channel on; conditions for 图 7, 图 8, and 图 9: All channels on.

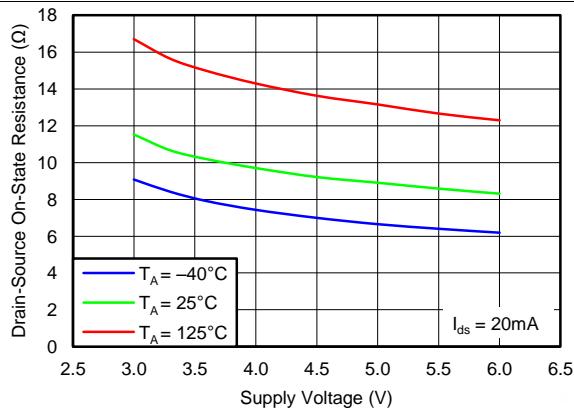


图 9. Drain-to-Source On-State Resistance vs Drain Current

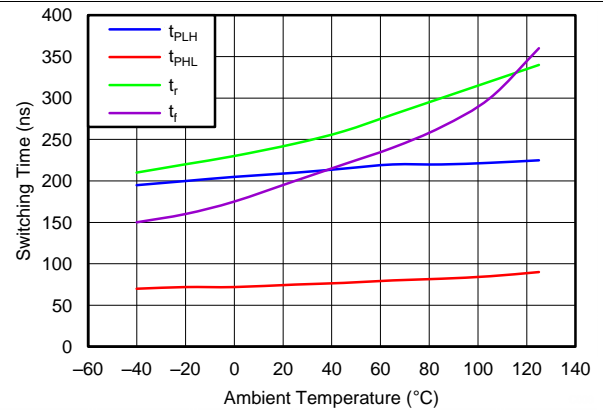
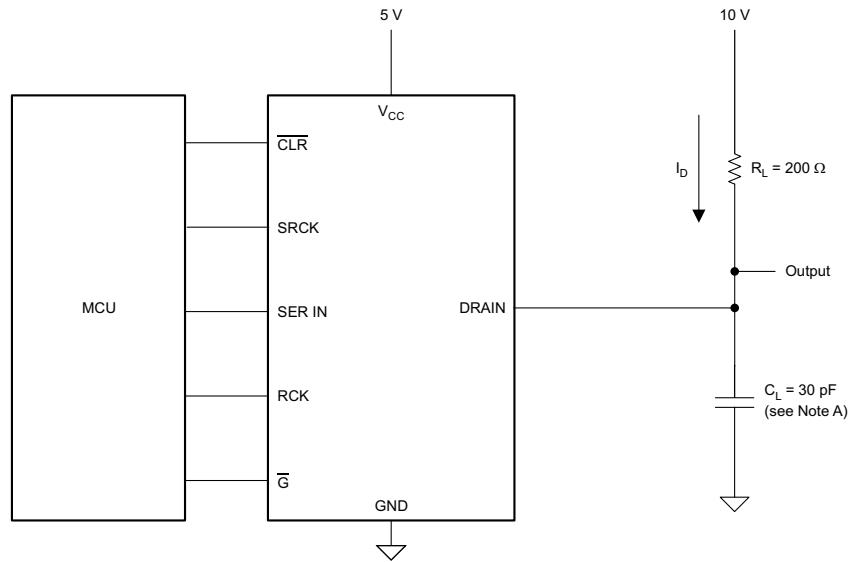


图 10. Switching Time vs Ambient Temperature

7 Parameter Measurement Information



Copyright © 2016, Texas Instruments Incorporated

A. C_L includes probe and jig capacitance.

图 11. Resistive-Load Test Circuit

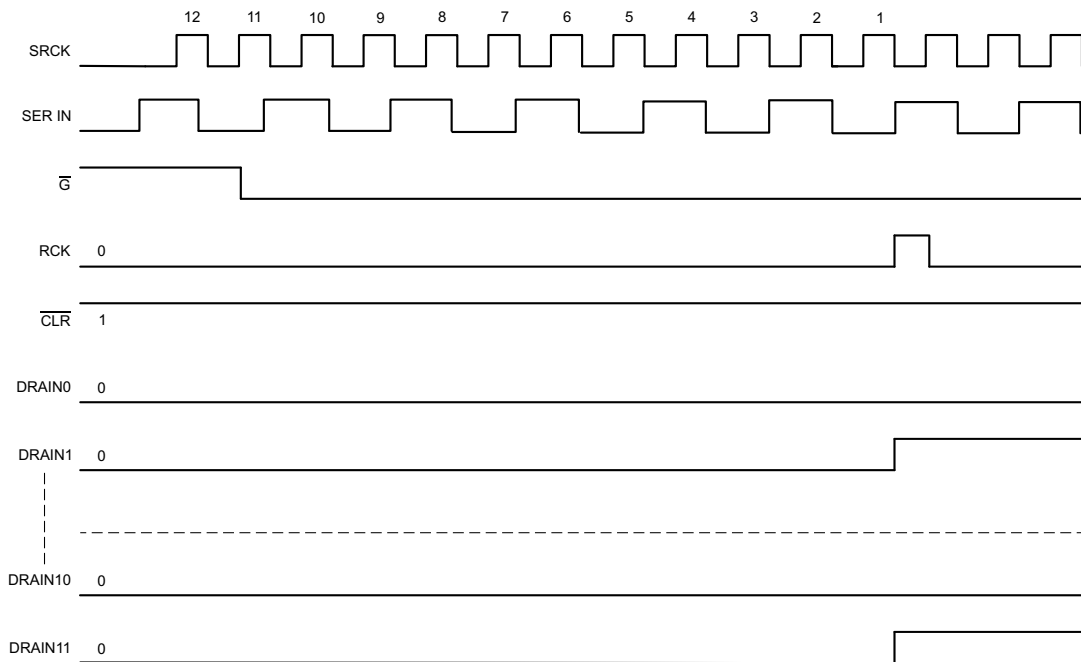


图 12. Voltage Waveforms

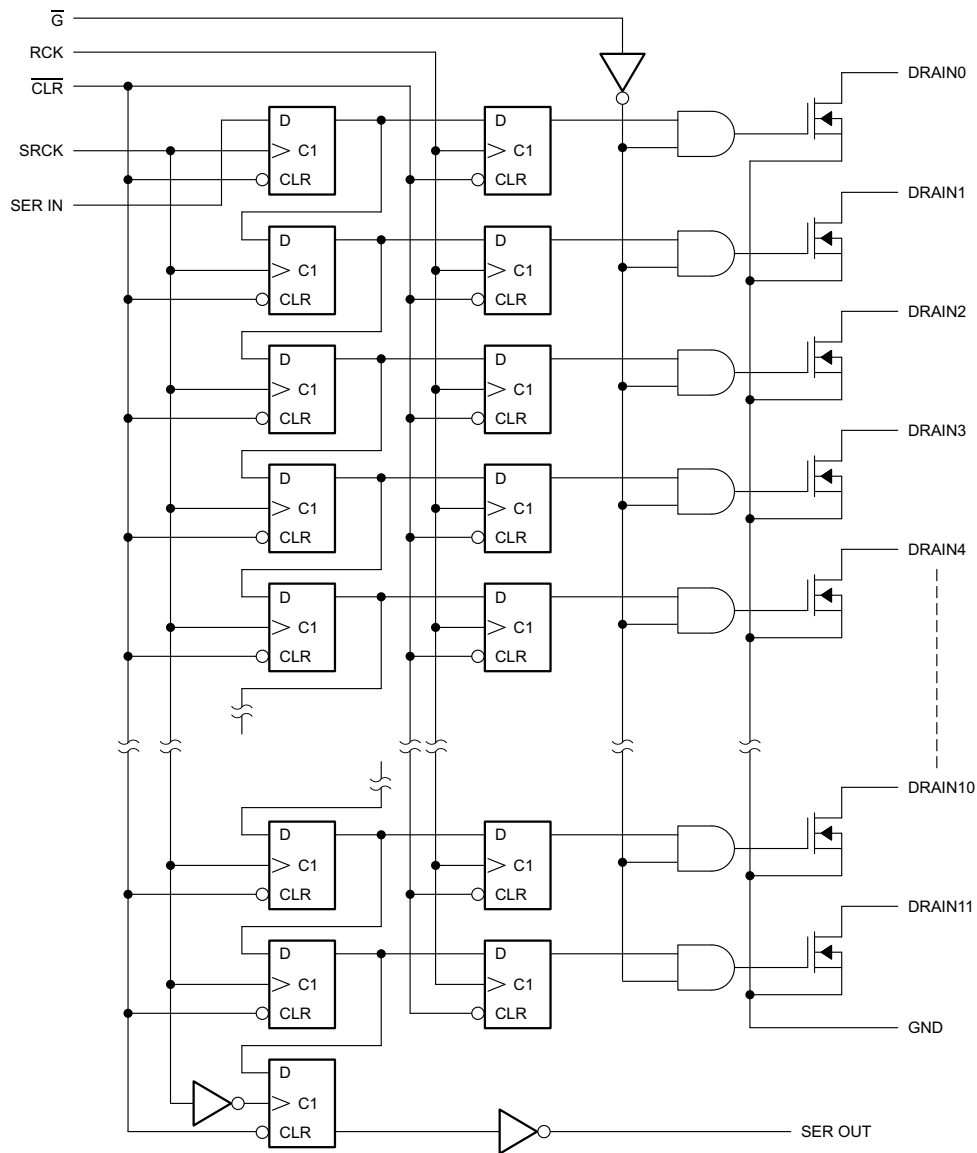
图 11 and 图 12 show the resistive-load test circuit and voltage waveforms. One can see from 图 12 that with \overline{G} held low and CLR held high, the status of each drain changes on the rising edge of the register clock, indicating the transfer of data to the output buffers at that time.

8 Detailed Description

8.1 Overview

The TLC6C5912-Q1 device is a monolithic, medium-voltage, low current 12-bit shift register designed to drive relatively moderate load power such LEDs. The device contains a 12-bit serial-in, parallel-out shift register that feeds a 12-bit D-type storage register. Thermal shutdown protection is also built-into the device.

8.2 Functional Block Diagram



8.3 Feature Description

8.3.1 Thermal Shutdown

The device implements an internal thermal shutdown to protect itself if the junction temperature exceeds 175°C (typical). The thermal shutdown forces the device to have an open state when the junction temperature exceeds the thermal trip threshold. Once the junction temperature decreases to less than 160°C (typical), the device begins to operate again.

Feature Description (接下页)

8.3.2 Serial-In Interface

The TLC6C598 device contains an 8-bit serial-in, parallel out shift register that feeds an 8-bit D-type storage register. Data transfer through both the shift and storage registers on the rising edge of the shift register clock (SRCK) and the register clock (RCK), respectively. The storage transfers data to the output buffer when shift register clear (CLR) is high.

8.3.3 Clear Register

A logic low on $\overline{\text{CLR}}$ clears all registers in the device. TI suggests clearing the device during power up or initialization.

8.3.4 Cascade Through SER OUT

By connecting the SER OUT pin to the SER IN input of the next device on the serial bus to cascade, the data transfers to the next device on the falling edge of SRCK. This can improve the cascade application reliability, as it can avoid that the second device receives SRCK and data input at the same rising edge of SRCK.

8.3.5 Output Control

Holding the output enable (G) high holds all data in the output buffers low, and all drain outputs are off. Holding G low makes data from the storage register transparent to the output buffers. When data in the output buffers is low, the DMOS transistor outputs are off. When data is high, the DMOS transistor outputs are capable of sink-current. This pin also be used for global PWM dimming.

8.4 Device Functional Modes

8.4.1 Operation With $V_{\text{CC}} < 3 \text{ V}$

This device works normally during $3 \text{ V} \leq V_{\text{CC}} \leq 5.5 \text{ V}$, when operation voltage is lower than 3 V. The behavior of device cannot be ensured, including communication interface and current capability.

8.4.2 Operation With $5.5 \text{ V} \leq V_{\text{CC}} \leq 8 \text{ V}$

The device works normally during this voltage range, but reliability issues may occurs while the device works for a long time in this voltage range.

9 Application and Implementation


注

Information in the following applications sections is not part of the TI component specification, and TI does not warrant its accuracy or completeness. TI's customers are responsible for determining suitability of components for their purposes. Customers should validate and test their design implementation to confirm system functionality.

9.1 Application Information

The TLC6C5912-Q1 device is a serial-in, parallel-out, power logic 8-bit shift register with low-side open-drain DMOS output rating of 40 V and 50-mA continuous sink-current capabilities when $V_{CC} = 5$ V. The device is designed to drive resistive loads and is particularly well-suited as an interface between a microcontroller and LEDs or lamps. The device also provides up to 2000 V of ESD protection when tested using the human body model and 200 V when using the machine model.

9.2 Typical Application

 13 shows a typical cascade application circuit with two TLC6C5912-Q1 chips configured to cascade topology. The MCU generates all the input signals.

Typical Application (接下页)

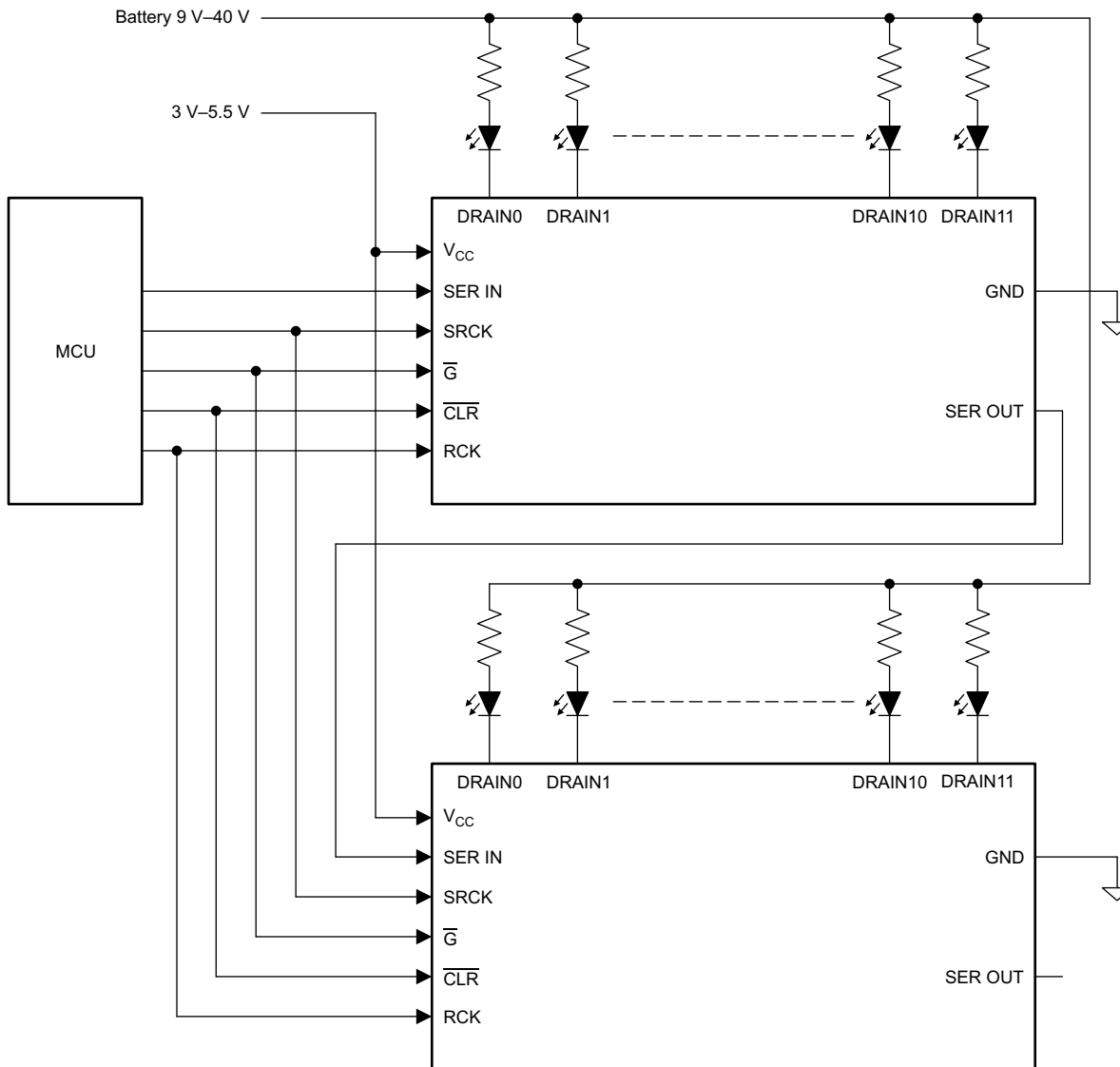


图 13. Typical Application Circuit

9.2.1 Design Requirements

表 1 lists the parameters for this design example.

表 1. Design Parameters

DESIGN PARAMETER	EXAMPLE VALUE
Vbattery	9 to 40 V
V_{CC-1}	3.3 V
I(D0), I(D1), I(D2), I(D3), I(D4), I(D5), I(D6), I(D7), I(D8), I(D9), I(D10), I(D11)	30 mA
V_{CC-2}	5 V
I(D12), I(D13), I(D14), I(D15), I(D16), I(D17), I(D18), I(D19), I(D20), I(D21), I(D122), I(D23)	50 mA

9.2.2 Detailed Design Procedure

To begin the design process, the designer must decide on a few parameters:

- V_{supply}: LED supply voltage
- V_{Dx}: LED forward voltage
- I: LED current

After determining the parameters, calculate the resistor in series with LED using [公式 1](#).

$$R_x = (V_{\text{supply}} - V_{Dx}) / I \quad (1)$$

9.2.3 Application Curve

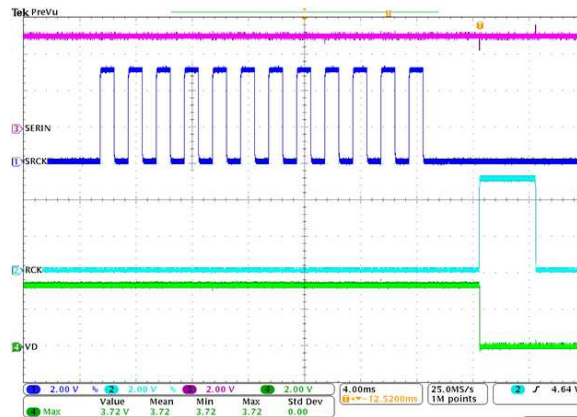


图 14. TLC6C5912-Q1 Application Waveform

10 Power Supply Recommendations

The TLC6C5912-Q1 device is designed to operate from an input voltage supply range from 3 V to 5.5 V. This input supply should be well regulated. TI recommends placing the ceramic bypass capacitors near the V_{CC} pin.

11 Layout

11.1 Layout Guidelines

There are no special layout requirement for the digital signal pins. The only requirement is placing the ceramic bypass capacitors near the corresponding pin.

Maximize the copper coverage on the PCB to increase the thermal conductivity of the board. The major heat-flow path from the package to the ambient is through the cooper on the PCB. Maximizing the copper coverage is extremely important when the design does not include heat sinks attached to the PCB on the other side of the package.

- Add as many thermal vias as possible directly under the package ground pad to optimize the thermal conductivity of the board.
- All thermal vias should be either plated shut or plugged and capped on both sides of the board to prevent solder voids. To ensure reliability and performance, the solder coverage should be at least 85%.

11.2 Layout Example

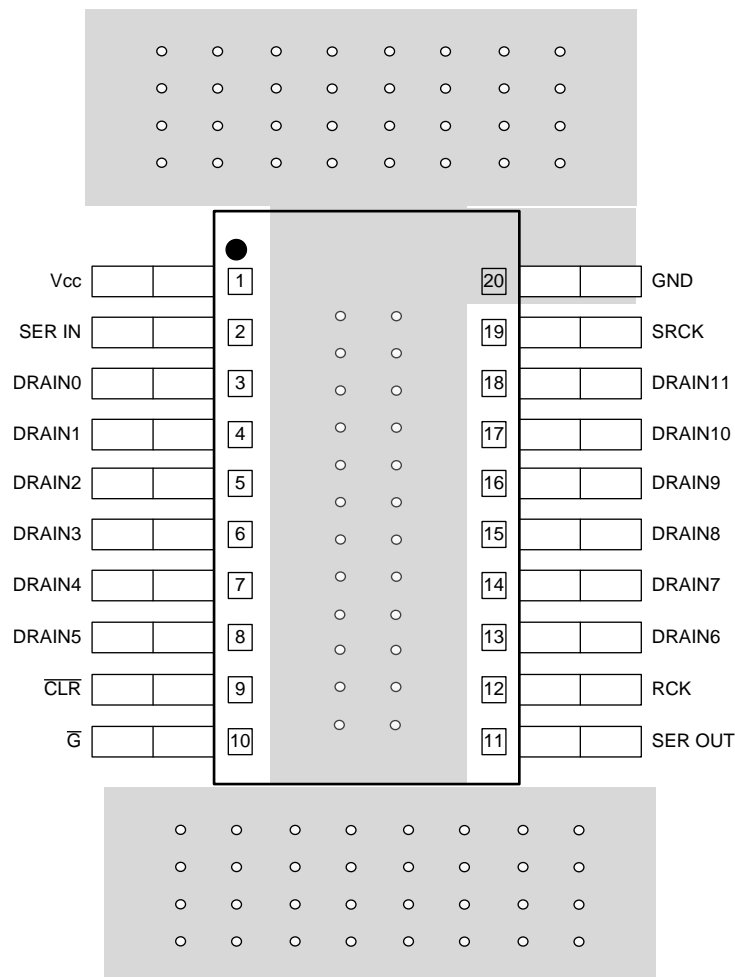


图 15. Layout Recommendation

12 器件和文档支持

12.1 接收文档更新通知

如需接收文档更新通知，请访问 ti.com 上的器件产品文件夹。点击右上角的 **提醒我 (Alert me)** 注册后，即可每周定期收到已更改的产品信息。有关更改的详细信息，请查阅已修订文档中包含的修订历史记录。

12.2 社区资源

The following links connect to TI community resources. Linked contents are provided "AS IS" by the respective contributors. They do not constitute TI specifications and do not necessarily reflect TI's views; see TI's [Terms of Use](#).

TI E2E™ Online Community *TI's Engineer-to-Engineer (E2E) Community*. Created to foster collaboration among engineers. At e2e.ti.com, you can ask questions, share knowledge, explore ideas and help solve problems with fellow engineers.

Design Support *TI's Design Support* Quickly find helpful E2E forums along with design support tools and contact information for technical support.

12.3 商标

E2E is a trademark of Texas Instruments.
All other trademarks are the property of their respective owners.

12.4 静电放电警告



这些装置包含有限的内置 ESD 保护。存储或装卸时，应将导线一起截短或将装置放置于导电泡棉中，以防止 MOS 门极遭受静电损伤。

12.5 Glossary

[SLYZ022](#) — *TI Glossary*.

This glossary lists and explains terms, acronyms, and definitions.

13 机械、封装和可订购信息

以下页中包括机械、封装和可订购信息。这些信息是针对指定器件提供的最新数据。本数据随时可能发生变更并且不对本文档进行修订，恕不另行通知。要获得这份数据表的浏览器版本，请查阅左侧的导航窗格。

PACKAGING INFORMATION

Orderable Device	Status (1)	Package Type	Package Drawing	Pins	Package Qty	Eco Plan (2)	Lead finish/ Ball material (6)	MSL Peak Temp (3)	Op Temp (°C)	Device Marking (4/5)	Samples
TLC6C5912GQPWRQ1	ACTIVE	TSSOP	PW	20	2000	RoHS & Green	NIPDAU	Level-3-260C-168 HR	-40 to 125	6C5912G	Samples
TLC6C5912QDWRQ1	ACTIVE	SOIC	DW	20	2000	RoHS & Green	NIPDAU	Level-3-260C-168 HR	-40 to 125	TLC6C5912	Samples
TLC6C5912QPWRQ1	ACTIVE	TSSOP	PW	20	2000	RoHS & Green	NIPDAU	Level-3-260C-168 HR	-40 to 125	6C5912	Samples

(1) The marketing status values are defined as follows:

ACTIVE: Product device recommended for new designs.

LIFEBUY: TI has announced that the device will be discontinued, and a lifetime-buy period is in effect.

NRND: Not recommended for new designs. Device is in production to support existing customers, but TI does not recommend using this part in a new design.

PREVIEW: Device has been announced but is not in production. Samples may or may not be available.

OBSOLETE: TI has discontinued the production of the device.

(2) **RoHS:** TI defines "RoHS" to mean semiconductor products that are compliant with the current EU RoHS requirements for all 10 RoHS substances, including the requirement that RoHS substance do not exceed 0.1% by weight in homogeneous materials. Where designed to be soldered at high temperatures, "RoHS" products are suitable for use in specified lead-free processes. TI may reference these types of products as "Pb-Free".

RoHS Exempt: TI defines "RoHS Exempt" to mean products that contain lead but are compliant with EU RoHS pursuant to a specific EU RoHS exemption.

Green: TI defines "Green" to mean the content of Chlorine (Cl) and Bromine (Br) based flame retardants meet JS709B low halogen requirements of <=1000ppm threshold. Antimony trioxide based flame retardants must also meet the <=1000ppm threshold requirement.

(3) MSL, Peak Temp. - The Moisture Sensitivity Level rating according to the JEDEC industry standard classifications, and peak solder temperature.

(4) There may be additional marking, which relates to the logo, the lot trace code information, or the environmental category on the device.

(5) Multiple Device Markings will be inside parentheses. Only one Device Marking contained in parentheses and separated by a "~" will appear on a device. If a line is indented then it is a continuation of the previous line and the two combined represent the entire Device Marking for that device.

(6) Lead finish/Ball material - Orderable Devices may have multiple material finish options. Finish options are separated by a vertical ruled line. Lead finish/Ball material values may wrap to two lines if the finish value exceeds the maximum column width.

Important Information and Disclaimer:The information provided on this page represents TI's knowledge and belief as of the date that it is provided. TI bases its knowledge and belief on information provided by third parties, and makes no representation or warranty as to the accuracy of such information. Efforts are underway to better integrate information from third parties. TI has taken and continues to take reasonable steps to provide representative and accurate information but may not have conducted destructive testing or chemical analysis on incoming materials and chemicals. TI and TI suppliers consider certain information to be proprietary, and thus CAS numbers and other limited information may not be available for release.

In no event shall TI's liability arising out of such information exceed the total purchase price of the TI part(s) at issue in this document sold by TI to Customer on an annual basis.

TAPE AND REEL INFORMATION

QUADRANT ASSIGNMENTS FOR PIN 1 ORIENTATION IN TAPE


*All dimensions are nominal

Device	Package Type	Package Drawing	Pins	SPQ	Reel Diameter (mm)	Reel Width W1 (mm)	A0 (mm)	B0 (mm)	K0 (mm)	P1 (mm)	W (mm)	Pin1 Quadrant
TLC6C5912GQPWRQ1	TSSOP	PW	20	2000	330.0	16.4	6.95	7.1	1.6	8.0	16.0	Q1
TLC6C5912QDWRQ1	SOIC	DW	20	2000	330.0	24.4	10.8	13.3	2.7	12.0	24.0	Q1
TLC6C5912QPWRQ1	TSSOP	PW	20	2000	330.0	16.4	6.95	7.1	1.6	8.0	16.0	Q1

TAPE AND REEL BOX DIMENSIONS



*All dimensions are nominal

Device	Package Type	Package Drawing	Pins	SPQ	Length (mm)	Width (mm)	Height (mm)
TLC6C5912GQPWRQ1	TSSOP	PW	20	2000	350.0	350.0	43.0
TLC6C5912QDWRQ1	SOIC	DW	20	2000	367.0	367.0	45.0
TLC6C5912QPWRQ1	TSSOP	PW	20	2000	350.0	350.0	43.0

DW0020A



PACKAGE OUTLINE

SOIC - 2.65 mm max height

SOIC



4220724/A 05/2016

NOTES:

1. All linear dimensions are in millimeters. Dimensions in parenthesis are for reference only. Dimensioning and tolerancing per ASME Y14.5M.
2. This drawing is subject to change without notice.
3. This dimension does not include mold flash, protrusions, or gate burrs. Mold flash, protrusions, or gate burrs shall not exceed 0.15 mm per side.
4. This dimension does not include interlead flash. Interlead flash shall not exceed 0.43 mm per side.
5. Reference JEDEC registration MS-013.

EXAMPLE BOARD LAYOUT

DW0020A

SOIC - 2.65 mm max height

SOIC



LAND PATTERN EXAMPLE
SCALE:6X



SOLDER MASK DETAILS

4220724/A 05/2016

NOTES: (continued)

- 6. Publication IPC-7351 may have alternate designs.
- 7. Solder mask tolerances between and around signal pads can vary based on board fabrication site.

EXAMPLE STENCIL DESIGN

DW0020A

SOIC - 2.65 mm max height

SOIC



SOLDER PASTE EXAMPLE
BASED ON 0.125 mm THICK STENCIL
SCALE:6X

4220724/A 05/2016

NOTES: (continued)

8. Laser cutting apertures with trapezoidal walls and rounded corners may offer better paste release. IPC-7525 may have alternate design recommendations.
9. Board assembly site may have different recommendations for stencil design.



4220206/A 02/2017

NOTES:

1. All linear dimensions are in millimeters. Any dimensions in parenthesis are for reference only. Dimensioning and tolerancing per ASME Y14.5M.
2. This drawing is subject to change without notice.
3. This dimension does not include mold flash, protrusions, or gate burrs. Mold flash, protrusions, or gate burrs shall not exceed 0.15 mm per side.
4. This dimension does not include interlead flash. Interlead flash shall not exceed 0.25 mm per side.
5. Reference JEDEC registration MO-153.

EXAMPLE BOARD LAYOUT

PW0020A

TSSOP - 1.2 mm max height

SMALL OUTLINE PACKAGE



LAND PATTERN EXAMPLE
EXPOSED METAL SHOWN
SCALE: 10X



SOLDER MASK DETAILS

4220206/A 02/2017

NOTES: (continued)

- 6. Publication IPC-7351 may have alternate designs.
- 7. Solder mask tolerances between and around signal pads can vary based on board fabrication site.

EXAMPLE STENCIL DESIGN

PW0020A

TSSOP - 1.2 mm max height

SMALL OUTLINE PACKAGE



SOLDER PASTE EXAMPLE
BASED ON 0.125 mm THICK STENCIL
SCALE: 10X

4220206/A 02/2017

NOTES: (continued)

8. Laser cutting apertures with trapezoidal walls and rounded corners may offer better paste release. IPC-7525 may have alternate design recommendations.
9. Board assembly site may have different recommendations for stencil design.

PW (R-PDSO-G20)

PLASTIC SMALL OUTLINE



- NOTES:
- A. All linear dimensions are in millimeters.
 - B. This drawing is subject to change without notice.
 - C. Publication IPC-7351 is recommended for alternate design.
 - D. Laser cutting apertures with trapezoidal walls and also rounding corners will offer better paste release. Customers should contact their board assembly site for stencil design recommendations. Refer to IPC-7525 for other stencil recommendations.
 - E. Customers should contact their board fabrication site for solder mask tolerances between and around signal pads.

重要声明和免责声明

TI“按原样”提供技术和可靠性数据（包括数据表）、设计资源（包括参考设计）、应用或其他设计建议、网络工具、安全信息和其他资源，不保证没有瑕疵且不做任何明示或暗示的担保，包括但不限于对适销性、某特定用途方面的适用性或不侵犯任何第三方知识产权的暗示担保。

这些资源可供使用 TI 产品进行设计的熟练开发人员使用。您将自行承担以下全部责任：(1) 针对您的应用选择合适的 TI 产品，(2) 设计、验证并测试您的应用，(3) 确保您的应用满足相应标准以及任何其他功能安全、信息安全、监管或其他要求。

这些资源如有变更，恕不另行通知。TI 授权您仅可将这些资源用于研发本资源所述的 TI 产品的应用。严禁对这些资源进行其他复制或展示。您无权使用任何其他 TI 知识产权或任何第三方知识产权。您应全额赔偿因在这些资源的使用中对 TI 及其代表造成的任何索赔、损害、成本、损失和债务，TI 对此概不负责。

TI 提供的产品受 [TI 的销售条款](#) 或 [ti.com](#) 上其他适用条款/TI 产品随附的其他适用条款的约束。TI 提供这些资源并不会扩展或以其他方式更改 TI 针对 TI 产品发布的适用的担保或担保免责声明。

TI 反对并拒绝您可能提出的任何其他或不同的条款。

邮寄地址：Texas Instruments, Post Office Box 655303, Dallas, Texas 75265

Copyright © 2023，德州仪器 (TI) 公司