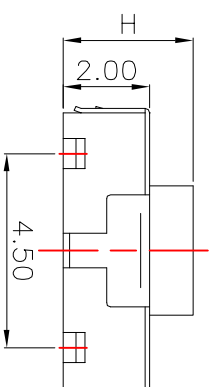
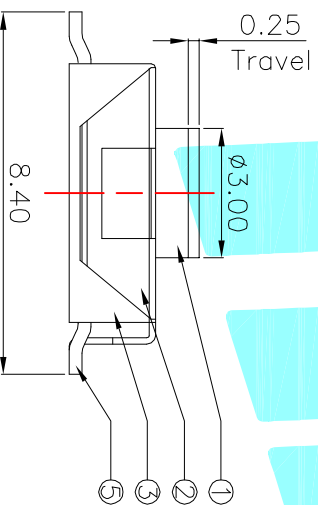
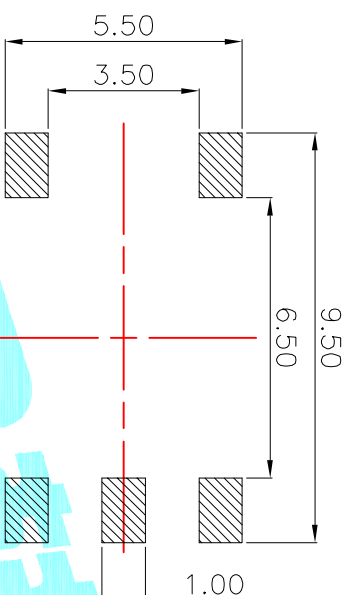
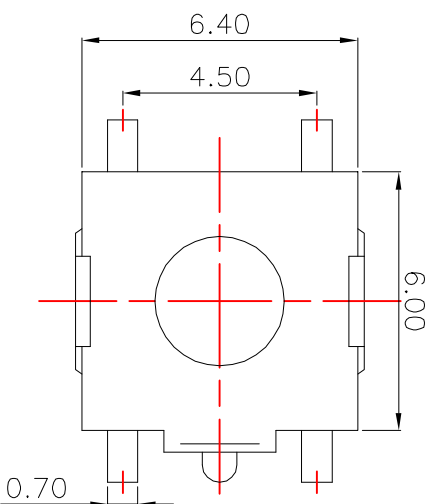




Circuit Diagram



NO.1	
PART NO.	MATERIAL/QTY
H	2.5
B	3.1
C	3.4
D	5.5

NO.3	
PART NO.	MATERIAL/QTY
S	SUS/1PC
C	C5210/1PC
D	SUS/2PCS
F	C5210/2PCS

NO.2	
PART NO.	QTY
1	90±30
2	130±30
3	180±30
4	250±30
5	350±50

NO.4-NO.5	
PART NO.	NOTE
01~99	SERIAL NUMBER

ITEM	PART NAME	TER'NO.	QTY.	MATERIAL	FINISHING	REMARK
⑤	Terminal	—	4	Copper(0.3t)	Plating silver	—
④	Contact	—	1	F.Ag/C5210	Natural	—
③	Base	—	1	Nylon	Black	—
②	Cover	—	1	Brass(0.15t)	Plating Nickel	—
①	Keystroke	—	1	Nylon	Red	—

APPROVALS		DATE	TITLE:
DRAWN	J.X.Zhong	2013/7/17	TACT SWITCHS



ELECTRONICS CO.,LTD

ECN NO.	REV.	DATE.	DESCRIPTION.	CHANGE.	CHECK.	APPRO.
—	A	—	NEW	—	—	—

APPROVALS		PART NO.	SCALE:	PROJ.
CHECKED	—	K2-1157SW-000W-00	1:1	—
TOLERANCES ARE	30~12.5 ±0.30 10~30 ±0.20 5~10 ±0.15 ~5 ±0.10	ANGLE	±2'	DRAWING NO.
		UNIT: mm		SHEET 1 OF 1