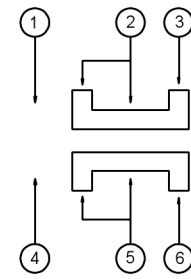
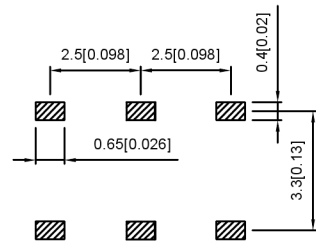
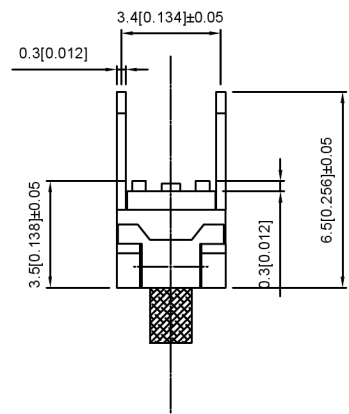


**NOTE:**  
 Rating: DC 12V 50mA  
 Operating Force: 200±100gf  
 Lifetime: 10,000 Cycles



PAPT NO	L
SS-3235D-02-L1	2.0
SS-3235D-02-L2	3.0
SS-3235D-02-L3	4.0

ITEM	PAPT NAME	TER,NO	QTY	MATERIAL	FINISHING	REMARK
5	Terminal	6	1	Brass (0.30t)	ag Plated	
4	Contact spring	1	1	Phosphor bronze	ag Plated	
3	Base	1	1	Pa46	Black	
2	Cover	1	1	Sus	Natural	
1	Keystake	1	1	Pa46	Black	

广东星坤科技股份有限公司

MARK	DESCRIPTION	DATE	REVISED	APPROVED
ΔX				
ΔX				
ΔX				

文件工程章

REVISIONS	DATE	REVISED	APPROVED	UNSPECIFIED TOLERANCES



DSND	SCALE: N/A	MODEL TYPE: SLIDE SWITCH
DWN	VIEW:	PART NO.: SS-3235D-02-X
CHKD	UNIT: mm/in	DWG NO.:
APPD	SIZE: A4	
XKB INDUSTRIAL PRECISION CO., LIMITED		WEIGHT
		SHEET
		REVISIC
		1/1
		A0