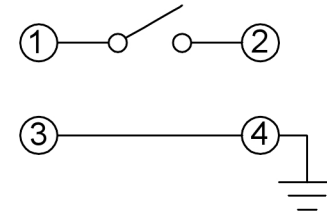


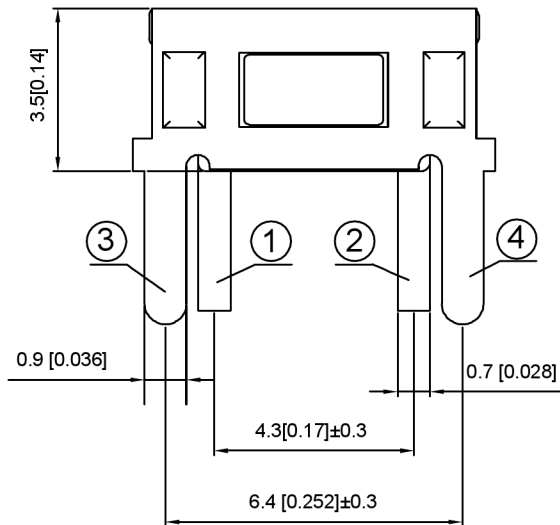
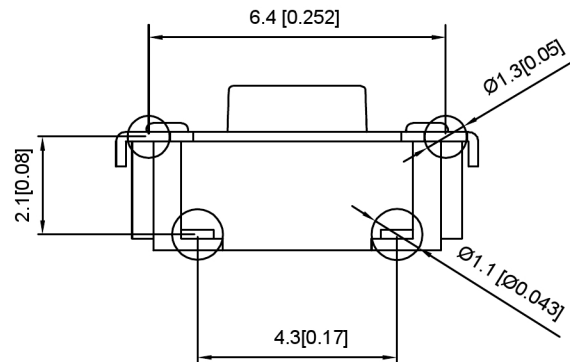
CIRCUIT



SPECIFICATION

Contact Rating: 50mA, 12V DC
 Contact Resistance: 100mΩ max
 Insulation Resistance: 100mΩ min. 500V DC
 Dielectric Strength: 250V AC/1minute
 Travel: 0.25mm
 Operating Temp: -30°C ~ +85°C
 Storage Temp: -30°C ~ +80°C

PCB LAYOUT



PAPT NO	TS-1188A-X-X
Operating Force	B:160gf C:260gf
Height	H:A:3.55 B:4.3 C:5.0

ITEM	PAPT	NAMF	TER,NO	QTY	MATERIAL	FINISHING	REMARK
⑤	Terminal	—	4	Brass (0.30t)	Plating silvering	—	—
④	Contact	—	1	F.ag/Sus	Natural	—	—
③	Base	—	1	Lcp	—	—	—
②	Cover	—	1	Brass	Plating Nickel	—	—
①	Keystake	—	1	Lcp	—	—	—

广东星坤科技股份有限公司
 文件工程章
 日期

REVISIONS	DATE	REVISED	APPROVED	DESCRIPTION

DSND	SCALE: N/A	MODEL TYPE: TACT SWITCH
DWN	VIEW:	PART NO.: TS-1188A-X-X
CHKD	UNIT: mm/in	DWG NO.:
APPD	SIZE: A4	
XKB INDUSTRIAL PRECISION CO., LIMITED		WEIGHT
		SHEET 1/1
		REVISIC A0

