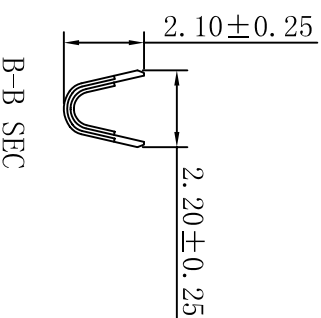
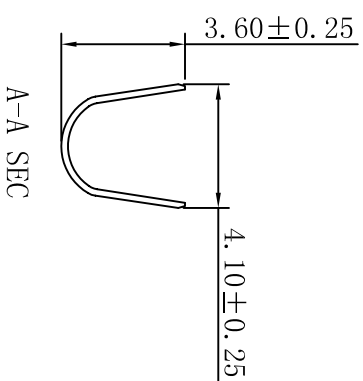
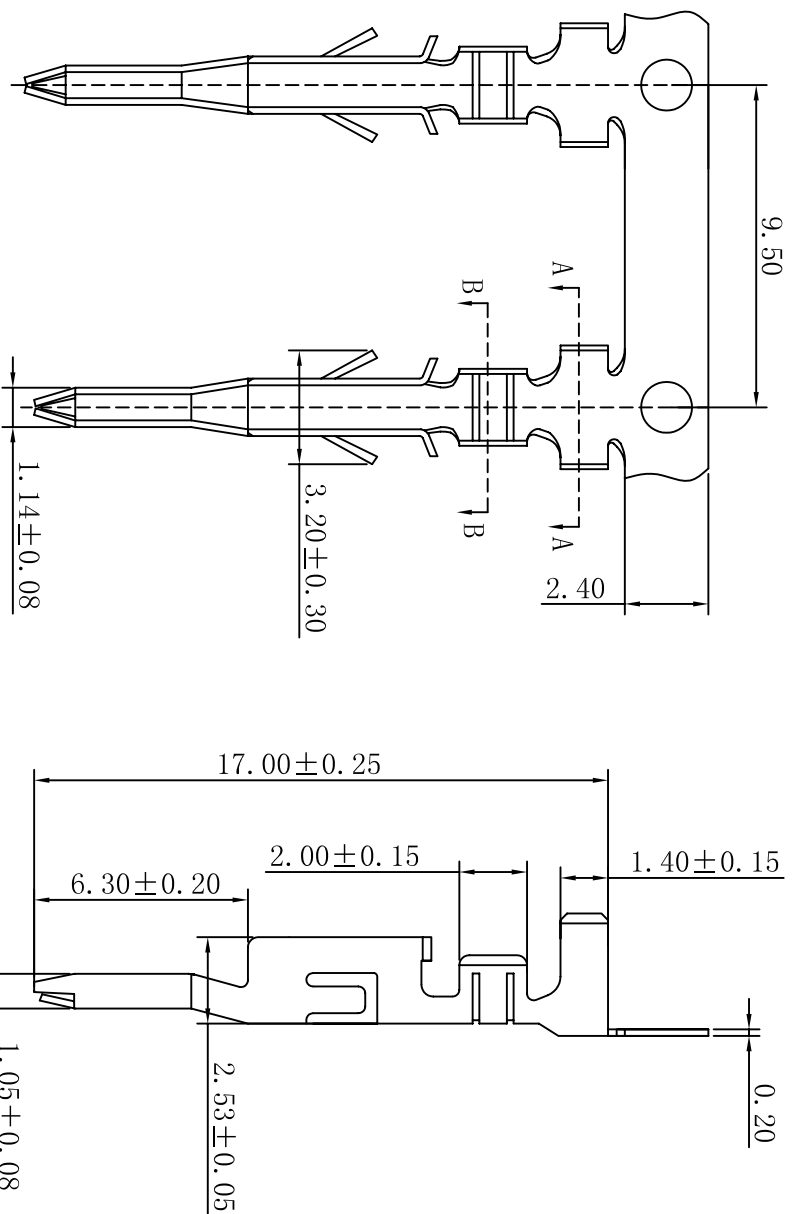


### SPECIFICATIONS (规格)

- Voltage Rating (额定电压) : 600V AC, DC
- Current Rating (额定电流) : 7A, AC, DC
- Withstanding Voltage (耐电压) : 1500V AC/minute
- Insulation Resistance (绝缘电阻) : 1000M $\Omega$  min
- Temperature Range (工作温度) : -25 $^{\circ}$ C~+85 $^{\circ}$ C
- Contact Resistance (接触电阻) : 10m $\Omega$  max
- Applicable wire: AWG#20-#24
- Material: Brass or Phosphor Bronze
- Finish: Tin plated
- Qty: 5000 pcs/Reel



RoHS Compliant

REV.	变更内容/DESCRIPTION	日期/DATE	BY
A	新规格作成	2015-7-17	chen

一般公差 GENERAL TOLERANCE:	.0 $\pm$ 0.20 .00 $\pm$ 0.15 .000 $\pm$ 0.05	投影法 Projection		品名 (PART NAME)	Pitch 4.20mm 公Terminal
绘图/DR	chen	单位 Unit	MM	料号 (PART NO)	C4201B-GT/C4201P-GT
核准/APPD	陈旺	比例 Scale	1/1		
日期/DATE	2015-7-17	版本 Rev	A		