



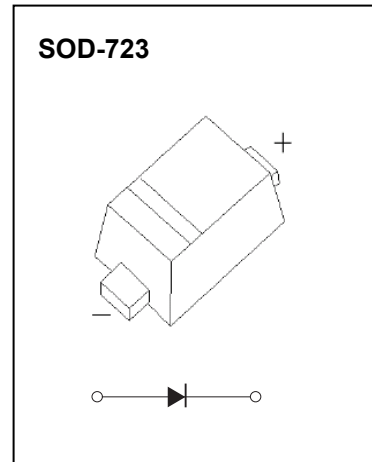
## SOD-723 Plastic-Encapsulate Diodes

### RB751G-40 Schottky barrier Diode

#### FEATURES

- Small surface mounting type
- Low reverse current and low forward voltage
- High reliability

#### MARKING: 5



The marking bar indicates the cathode

#### Maximum Ratings and Electrical Characteristics, Single Diode @Ta=25°C

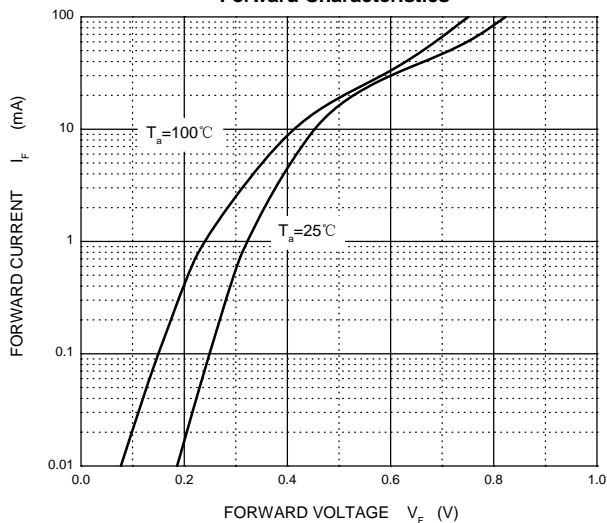
Parameter	Symbol	Limit	Unit
Peak reverse voltage	$V_{RM}$	40	V
DC reverse voltage	$V_R$	30	V
Mean rectifying current	$I_O$	30	mA
Non-repetitive Peak Forward Surge Current@t=8.3ms	$I_{FSM}$	200	mA
Power dissipation	$P_D$	150	mW
Thermal Resistance Junction to Ambient	$R_{\theta JA}$	667	°C/W
Junction temperature	$T_J$	125	°C
Storage temperature	$T_{stg}$	-55~+150	°C

#### Electrical Ratings @Ta=25°C

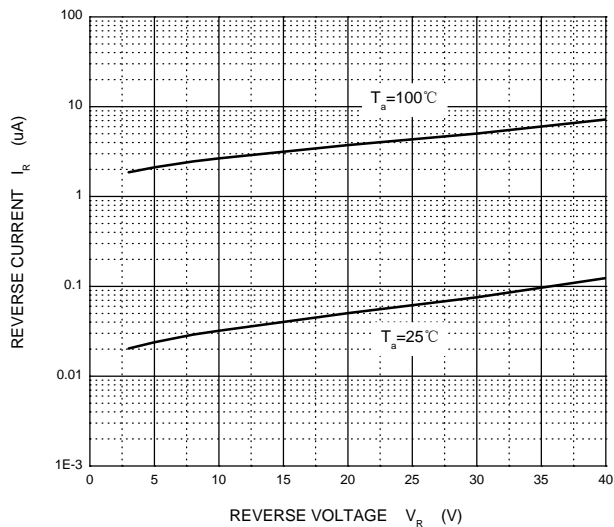
Parameter	Symbol	Min	Typ	Max	Unit	Conditions
Forward voltage	$V_F$			0.37	V	$I_F=1mA$
Reverse current	$I_R$			0.5	$\mu A$	$V_R=30V$
Capacitance between terminals	$C_T$		2		pF	$V_R=1V, f=1MHZ$

# Typical Characteristics

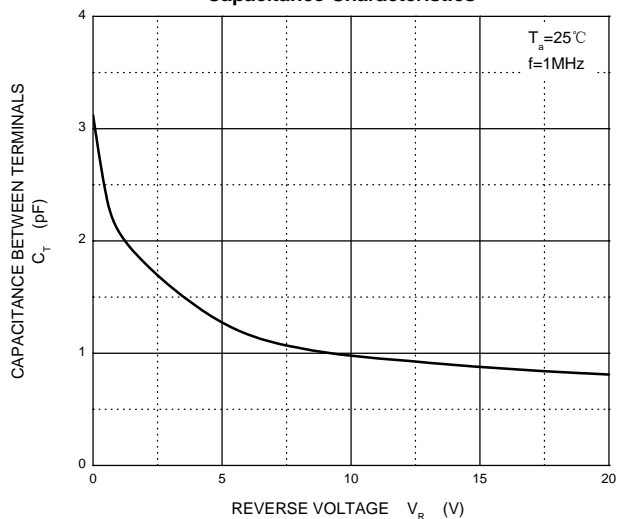
**Forward Characteristics**



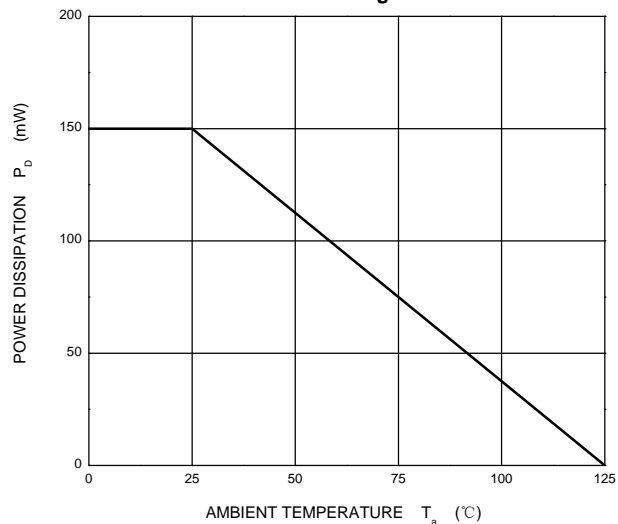
**Reverse Characteristics**



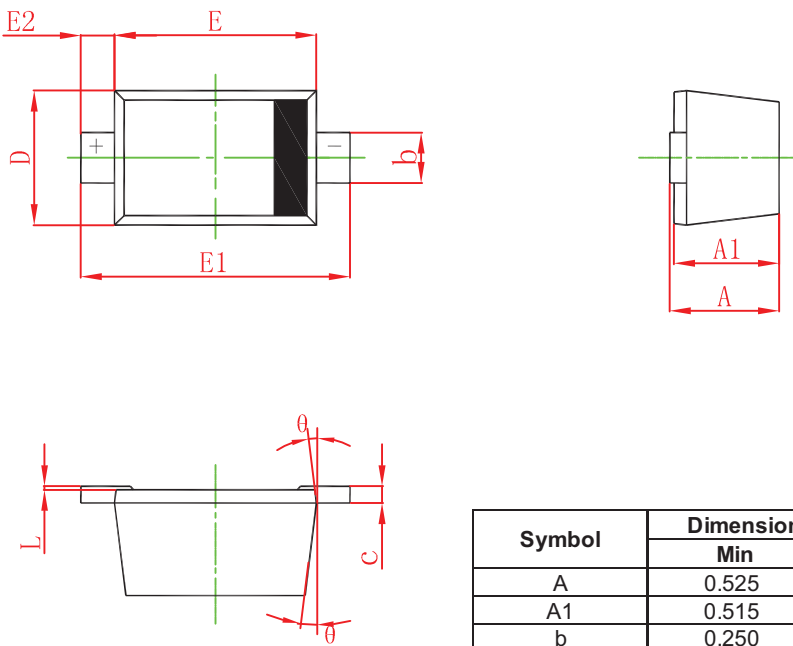
**Capacitance Characteristics**



**Power Derating Curve**

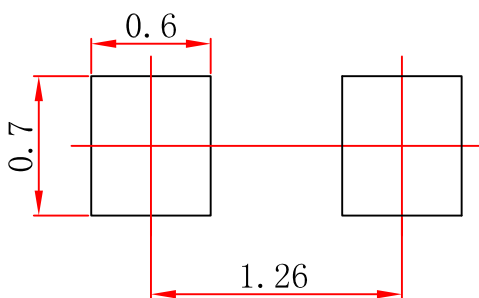


## SOD-723 Package Outline Dimensions



Symbol	Dimensions In Millimeters		Dimensions In Inches	
	Min	Max	Min	Max
A	0.525	0.650	0.021	0.026
A1	0.515	0.580	0.020	0.023
b	0.250	0.350	0.010	0.014
c	0.080	0.150	0.003	0.006
D	0.550	0.650	0.022	0.026
E	0.900	1.100	0.035	0.043
E1	1.300	1.500	0.051	0.059
E2	0.200 REF		0.008 REF	
L	0.010	0.070	0.001	0.003
$\theta$	7° REF		7° REF	

## SOD-723 Suggested Pad Layout



### Note:

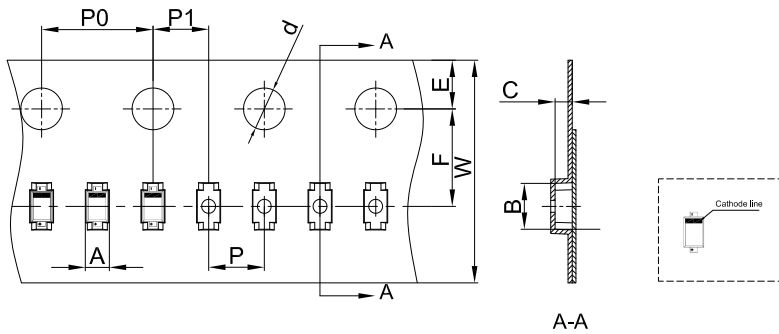
1. Controlling dimension: in millimeters.
2. General tolerance:  $\pm 0.05\text{mm}$ .
3. The pad layout is for reference purposes only.

### NOTICE

JCET reserve the right to make modifications, enhancements, improvements, corrections or other changes without further notice to any product herein. JCET does not assume any liability arising out of the application or use of any product described herein.

# SOD-723 Tape and Reel

## SOD-723 Embossed Carrier Tape



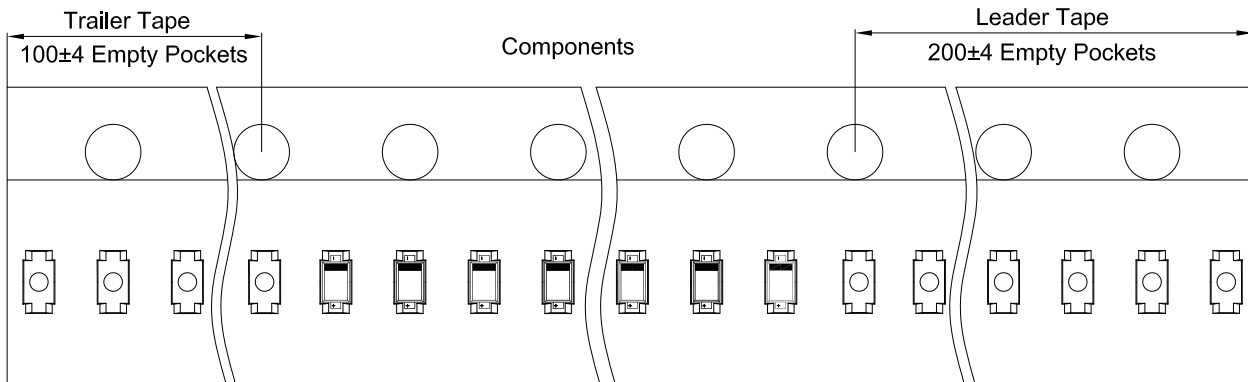
### Packaging Description:

SOD-723 parts are shipped in tape. The carrier tape is made from a dissipative (carbon filled) polycarbonate resin. The cover tape is a multilayer film (Heat Activated Adhesive in nature) primarily composed of polyester film, adhesive layer, sealant, and anti-static sprayed agent. These reeled parts in standard option are shipped with 8,000 units per 7" or 17.8cm diameter reel. The reels are clear in color and is made of polystyrene plastic (anti-static coated).

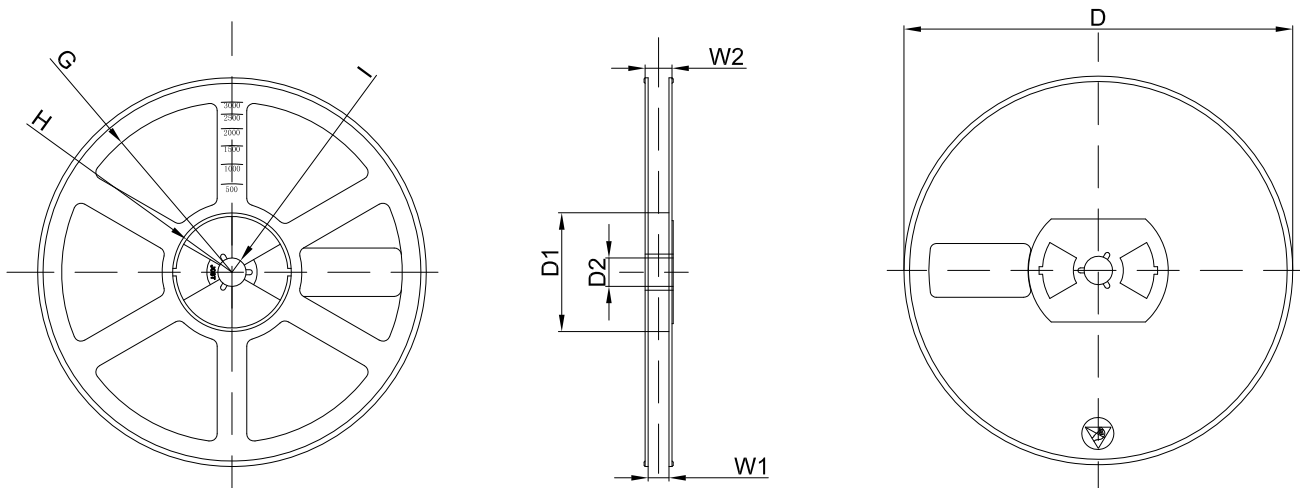
Note: If it is the product of the same polarity, the cathode line should be removed.

Dimensions are in millimeter										
Pkg type	A	B	C	d	E	F	P0	P	P1	W
SOD-723	0.73	1.71	0.62	Ø1.50	1.75	3.50	4.00	2.00	2.00	8.00

## SOD-723 Tape Leader and Trailer



## SOD-723 Reel



Dimensions are in millimeter								
Reel Option	D	D1	D2	G	H	I	W1	W2
7" Dia	Ø178.00	54.40	13.00	R78.00	R25.60	R6.50	9.50	12.30

REEL	Reel Size	Box	Box Size(mm)	Carton	Carton Size(mm)	G.W.(kg)
8000 pcs	7 inch	120,000 pcs	203×203×195	480,000 pcs	438×438×220	