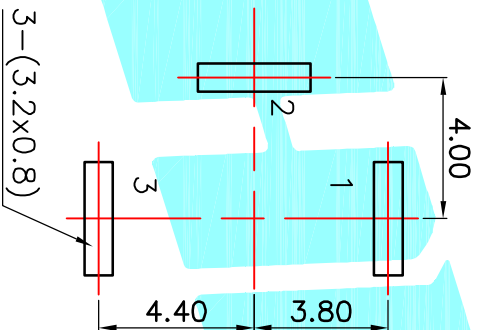


P.C.B LAYOUT(copper-sided view)



Model No.	1	2	3
PIN	∅2.0	∅2.35	∅2.5

Model No.	DC-025BM-A	DC-025BM-B
Schematic		

Rating:0.5A 30V DC  
 Contact Resistance:100 mΩ Max.  
 Operating temperature:-20℃~70℃  
 Operating force:3-20N  
 Operating Life:5,000cycles

ECN NO.	REV.	DATE.	DESCRIPTION.	CHANGE.	CHECK.	APPRO.
	A		NEW			

DRAWN	J.X.Zhang	DATE	2013/11/11	TITLE:	PHONE JACKS
CHECKED				PART NO.	DC-025BM
APPROVALS				SCALE:	1:1
TOLERANCES ARE			30 <sup>±0.15</sup>	±0.30	ANGLE
			10 <sup>±0.10</sup>	±0.20	UNIT: mm
			5 <sup>±0.10</sup>	±0.15	DRAWING NO.
			~ 5	±Z'	PROJ.
					SHEET 1 OF 1

**HONGSHI**  
 ELECTRONICS CO.,LTD