

HR051142

Electrical Specification @25°C

RoHS Compliant (Pb Free)

Isolation: 1500Vrms (Pri & Aux to Sec)

Turns Ratio: (PIN3-4) : (PIN2-1) : P(8-10)= 1 : 0.50 : 0.50 (Shorted P8+7, P10+9)

P3-4 Inductance: 127 uH ±10% @250KHz 100mVrms

P3-4 Inductance: 114.3 uH Min @250KHz 100mVrms With 1.0Adc

P3-4 Leakage Inductance: 1.0 uH Maximum @250KHz 100mV (Shorted P7+8+9+10)

P3-4 DC Resistance: 199 mohms Maximum

P2-1 DC Resistance: 308 mOhms Maximum

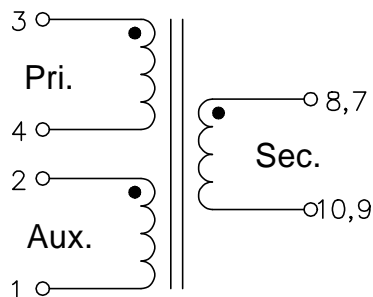
P8-10 DC Resistance: 65 mOhms Maximum (Shorted P8+7, P10+9)

Operates at 250KHz With 36~72Volts Input

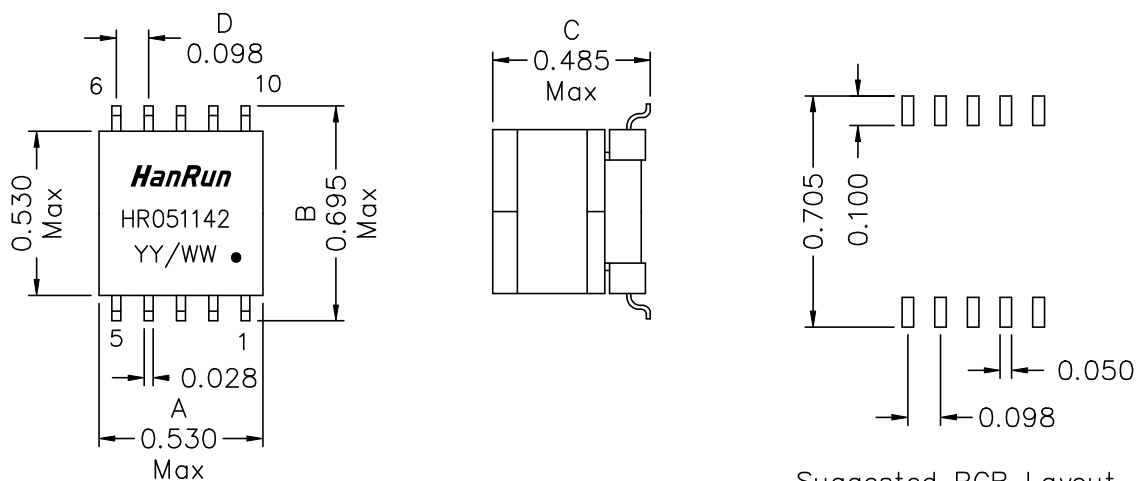
Power: 13W ; Output: 12V, 1.08A

Operating Temp.: -40 to +85°C ; Storage Temp.: -40 to +85°C

Schematics



Mechanical Dimensions



Unless otherwise specified,
Tol.: .xxx ± 0.010(inches)

Suggested PCB Layout