

**HR903129C**

**Electrical Specification @25°C**

RoHS Compliant (PB Free)

Isolation: 2250VDC 0.5mA 60sec (UTP Side to Chip Side)

OCL: 350uH Minimum @100KHz 100mV with 8mADC

Insertion Loss: -1.0dB Maximum @300KHz ~ 100MHz

Return Loss: -20dB Minimum @1MHz ~ 10MHz / -16dB Minimum @10MHz ~ 30MHz

-12dB Minimum @30MHz ~ 60MHz / -10dB Minimum @60MHz ~ 80MHz

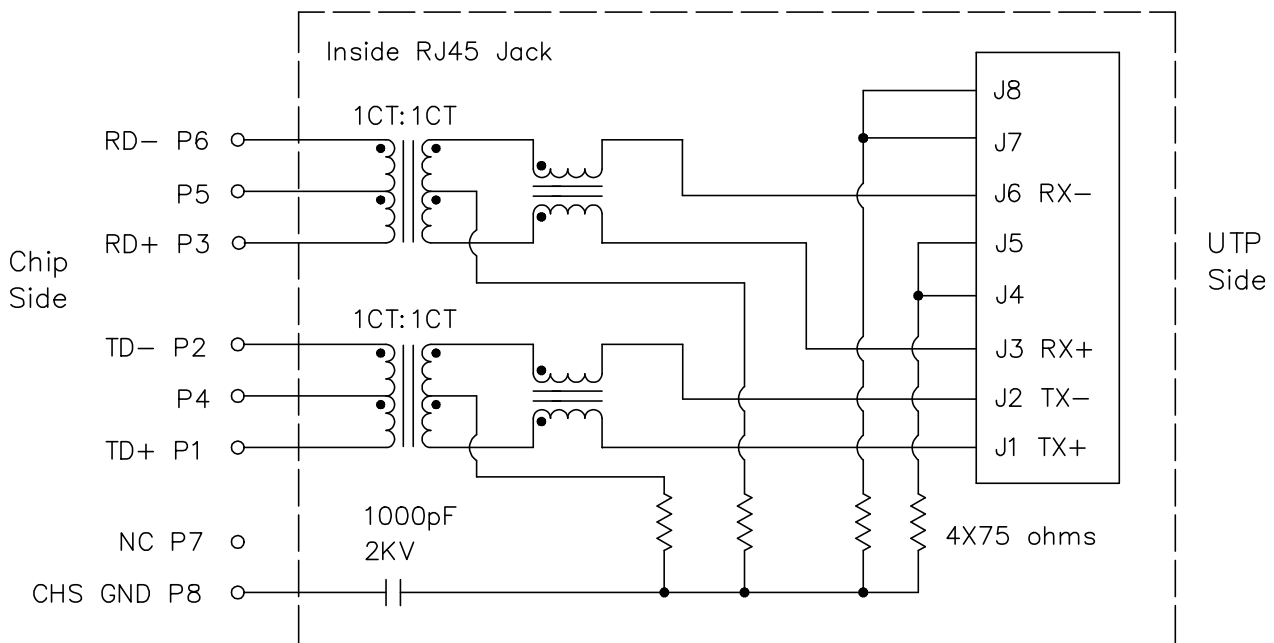
Common Mode Rejection: -30dB Minimum @1MHz ~ 50MHz

-20dB Minimum @50MHz ~ 150MHz

Crosstalk: -40dB Minimum @1MHz ~ 30MHz / -35dB Minimum @30MHz ~ 60MHz

-30dB Minimum @60MHz ~ 100MHz

**Schematics**

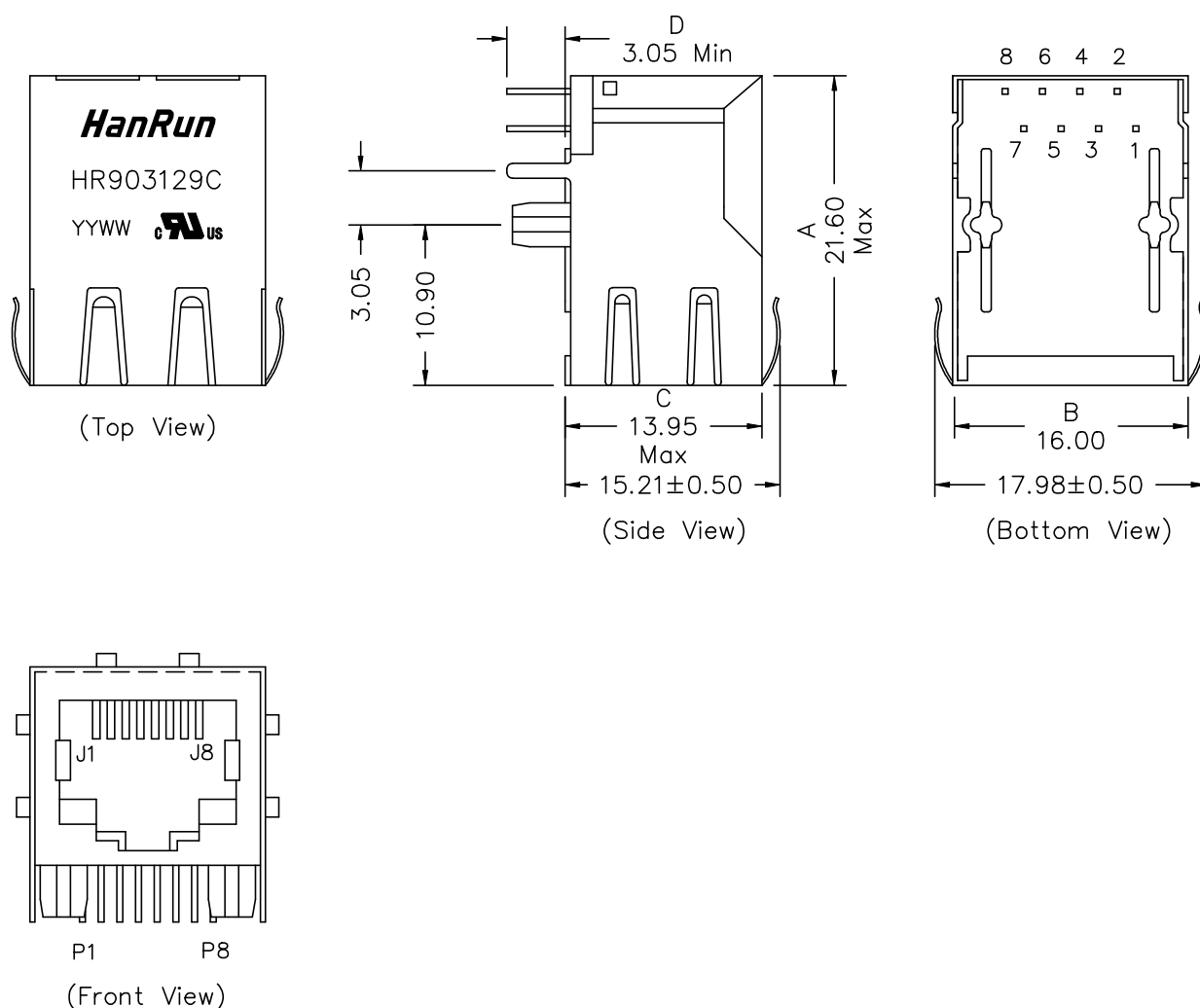


Notes: Connect CHS GND to PCB Ground

**HR903129C**

- RoHS Compliant (PB Free)
- Meets or Exceeds IEEE802.3 standards including 350uH Min OCL with 8mADC
- High performance for EMI suppression, Crosstalk, Return Loss and Consistent Electrical
- Minimum 2250VDC isolation per IEEE802.3 requirement
- Minimize PCB space and Simplify PCB Layout
- Less magnetic components to be placed on PCB, higher reliability and yields
- UL Recognized Component: File # E330599

**Mechanical Dimensions:**



Dimensions in mm

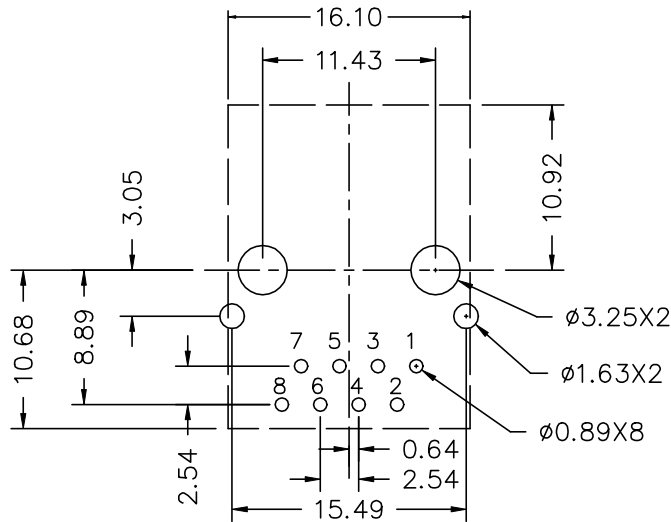
Unless otherwise specified, Tolerance: .xx ±0.25

REV.: 00

2 of 4

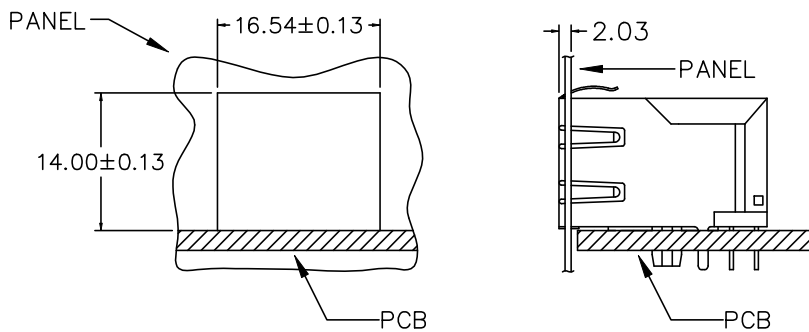
**HR903129C**

PCB Layout:



Recommended PCB layout (Component Side View)  
All dimension tolerance are  $\pm 0.08$  unless otherwise specified

Suggested Panel Cutout:



SUGGESTED PANEL OPENING

Dimensions in mm

Unless otherwise specified, Tolerance:  $.xx \pm 0.25$

REV.: 00

## HR903129C

### Material Specification:

Housing: PA66 GF Black UL94V-0  
Shield: 30u" Nickel over 0.20mm Thickness Brass  
Insert: PBT GF Black UL94V-0  
Phosphor Bronze 0.35mm Thickness  
Plating Area, 30u" gold over, 50u" nickel  
Solder Area, 100u" tin over, 50u" nickel

### Mechanical Performance:

Mating force: 5 lbs Maximum  
Unmating force: 5 lbs Maximum  
Plug to Jack Retention force: 20 lbs Minimum  
Operating life: 750 Cycles Minimum

### Operating and Storage Temperature:

Operating Temperature Range: 0°C ~ +70°C  
Storage Temperature Range: -40°C ~ +85°C