

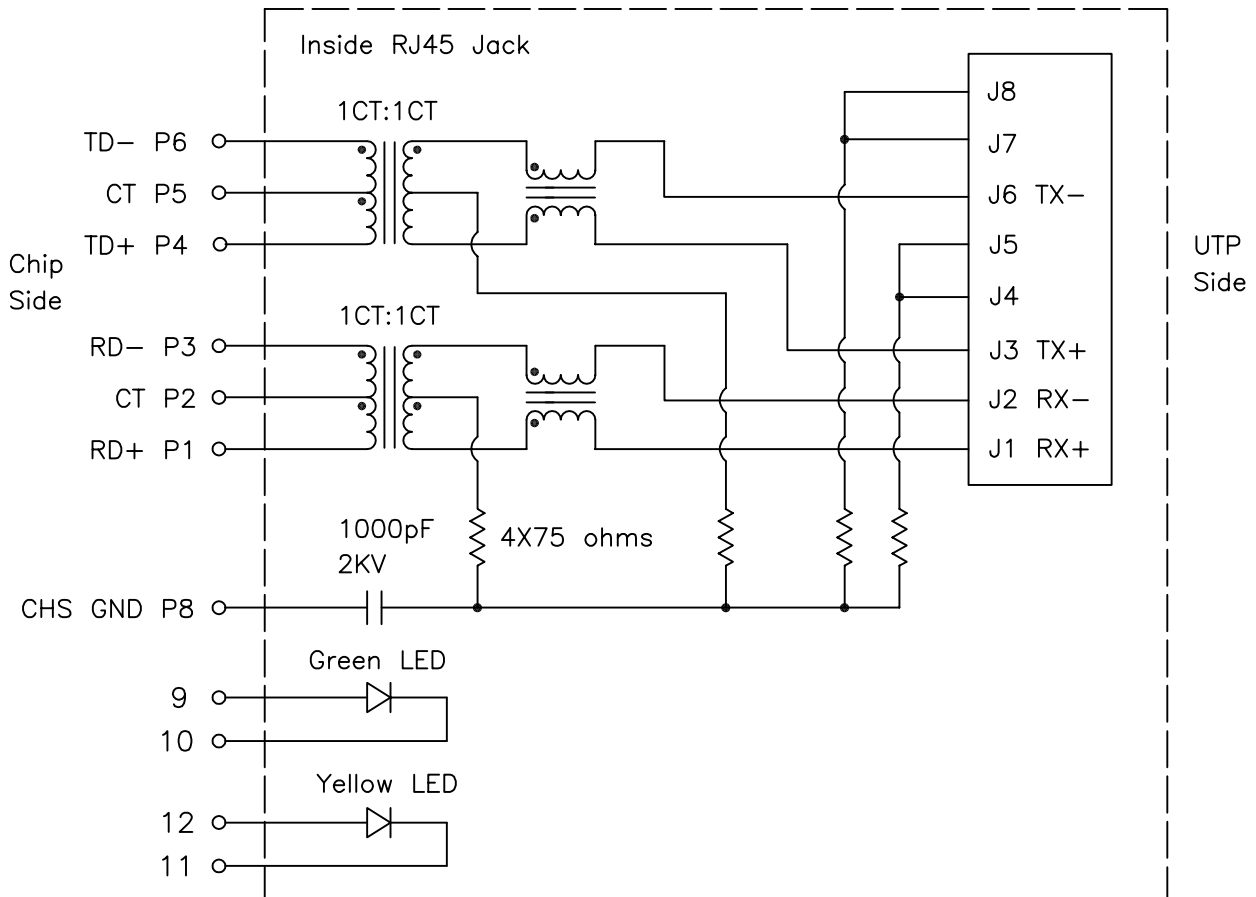
1x4 RJ45 Connector
 with LEDs and Integrated Magnetics
 for 10/100Base-TX Hub and Switch application

Part Number:
 HR911402A

Electrical Specification @25° C

- Isolation: 1500Vrms (UTP Side to Chip Side)
- OCL: 350uH Minimum @100KHz 100mV with 8mADC
- Insertion Loss: -1.0dB Maximum @300KHz ~ 100MHz
- Return Loss: -20dB Minimum @1MHz ~ 10MHz
 - 16dB Minimum @10MHz ~ 30MHz
 - 12dB Minimum @30MHz ~ 60MHz
 - 10dB Minimum @60MHz ~ 80MHz
- Common Mode Rejection: -30dB Minimum @1MHz ~ 50MHz
 - 20dB Minimum @50MHz ~ 150MHz
- Crosstalk: -40dB Minimum @1MHz ~ 30MHz
 - 35dB Minimum @30MHz ~ 60MHz
 - 30dB Minimum @60MHz ~ 100MHz

Schematics

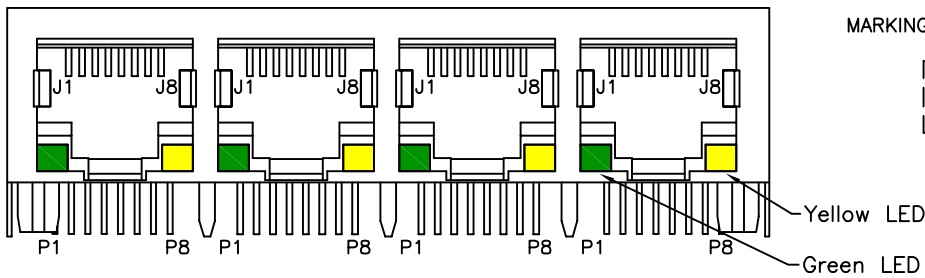
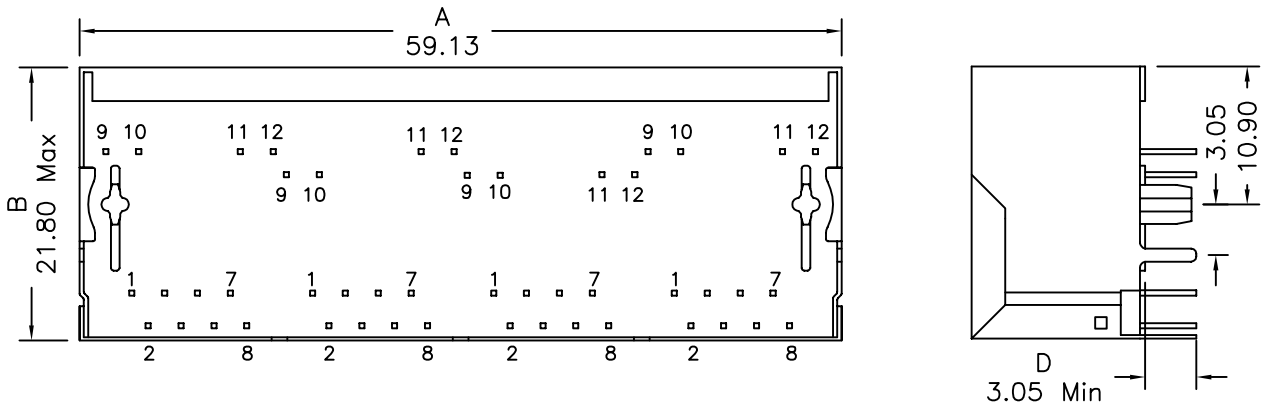


Notes: Connect CHS GND PIN8 to PCB Ground

Part No.: HR911402A	Unless otherwise specified, Tolerance: .xx ±0.25	Rev: A	DRWN:	Date:
Dimensions in mm		Page:1/2	APPD:	Date:

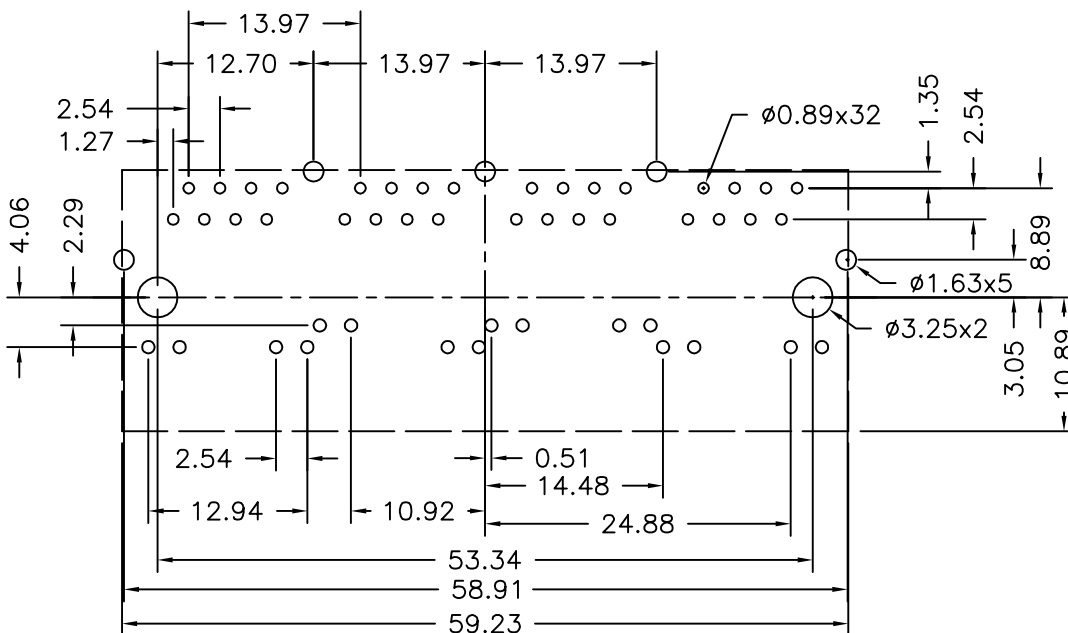
1x4 Ports RJ45 Connector
with LEDs and Magnetics Module

Mechanical Dimensions



MARKING: (ON TOP OF SHIELD)

HanRun YYWW
HR911402A



Standard LED	Wavelength	Forward V (Min/Max)	Forward A	Type
Green	568nm	1.8V/2.8V	20mA	squareness
Yellow	586nm	1.8V/2.8V	20mA	squareness

Part No.: HR901402	Unless otherwise specified, Tolerance: .xx ±0.25	Rev: A	DRWN:	Date:
Dimensions in mm		Page 2/2	APPD:	Date: