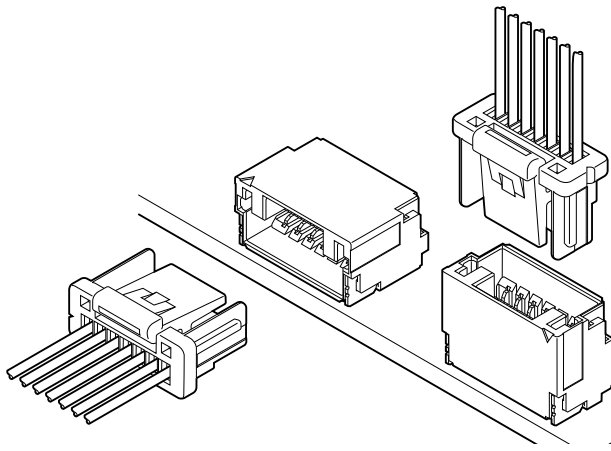


# NSH CONNECTOR

1.0 mm pitch/Disconnectable Crimp style connectors



**1.0 mm pitch secure lock type connector.** This low insertion force type connector realizes easier mating operation. The basic concept of the contact part of this connector is equivalent to the performance proven SHL connector.

- Secure locking structure
- Contact lock structure
- Prevention of contact deformation
- Clear engagement click sounds

## Specifications

- Current rating: 1.0 A AC/DC (AWG #28)
- Voltage rating: 50 V AC/DC
- Temperature range: -25°C to +85°C  
(including temperature rise in applying electrical current)
- Contact resistance: Initial value/ 30 mΩ max.  
After environmental tests/ 50 mΩ max.
- Insulation resistance: 100 MΩ min.
- Withstanding voltage: 500 VAC/minute
- Applicable wire: Conductor size/ AWG #32 to #28  
Insulation O.D./ 0.4 to 0.8 mm

\* In using the products, refer to "Handling Precautions for Terminals and Connectors" described on our website (Technical documents of Product information page).

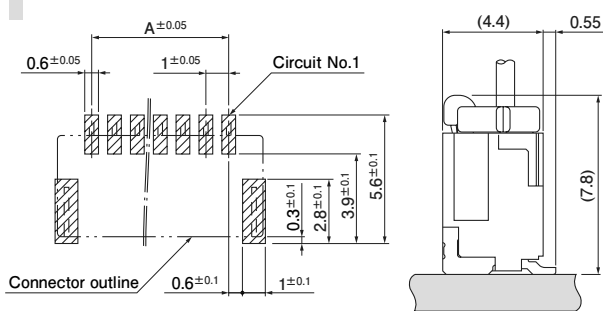
- \* RoHS2 compliance
- \* Dimensional unit: mm
- \* Contact JST for details.

## Standards

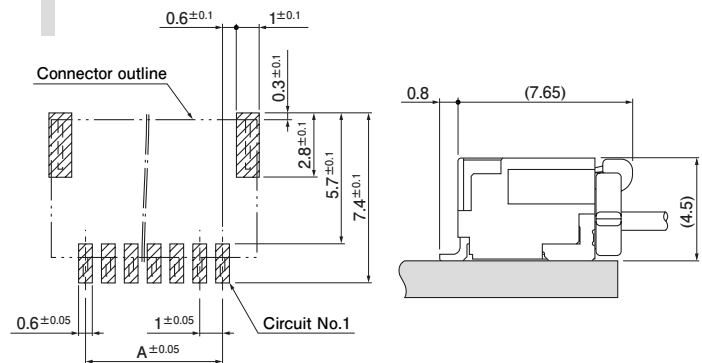
Ⓜ Recognized E60389

## PC board layout and Assembly layout

### Top entry type

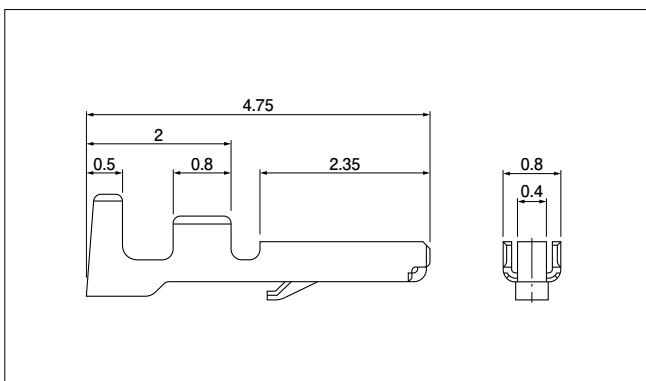


### Side entry type



- Note: 1. The above figure is the figure viewed from the connector mounting side.  
2. Tolerances are non-cumulative: ± 0.05 mm for all centers.  
3. The dimensions above should serve as a guideline. Contact JST for details.

## Contact



| Model No.     | Applicable wire |          | Insulation O.D. (mm) | Q'ty/reel |
|---------------|-----------------|----------|----------------------|-----------|
|               | mm <sup>2</sup> | AWG#     |                      |           |
| SSH-003T-P0.2 | 0.032 to 0.08   | 32 to 28 | 0.4 to 0.8           | 41,000    |

### Material and Finish

Phosphor bronze, tin-plated (reflow treatment)

### RoHS2 compliance

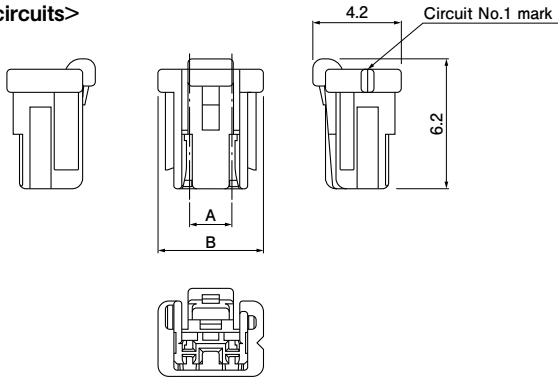
| Contact       | Crimping machine | Applicator       |                 |                            |
|---------------|------------------|------------------|-----------------|----------------------------|
|               |                  | Crimp applicator | Dies            | Crimp applicator with dies |
| SSH-003T-P0.2 | AP-K2N           | MKS-L-10-3       | MK/SSH/L-003-02 | APLMK SSH/L003-02          |

Note: Contact JST for fully automatic crimping applicator.

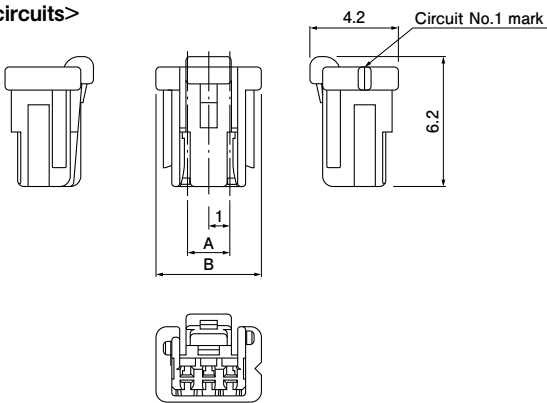
# NSH CONNECTOR

## Housing

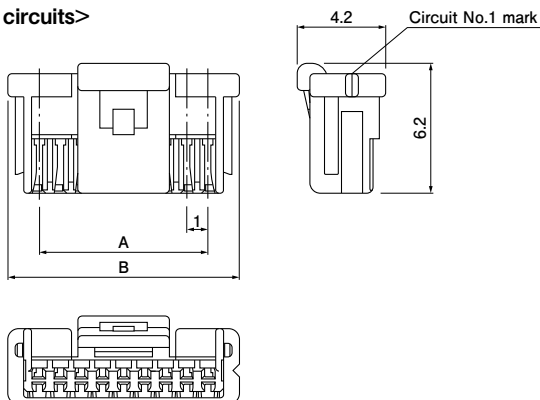
### <2 circuits>



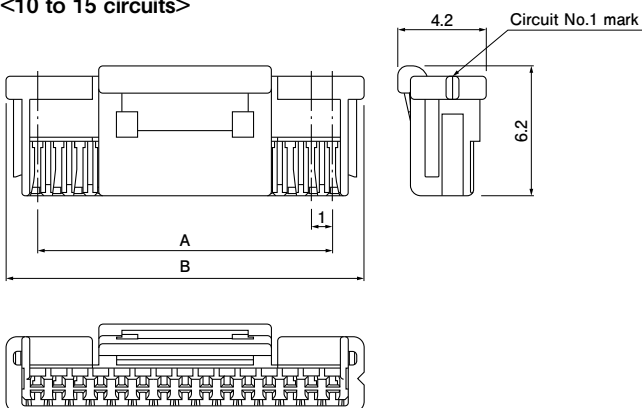
### <3 circuits>



### <4 to 9 circuits>



### <10 to 15 circuits>



| No. of circuits | Model No.  | Dimensions (mm) |      | Q'ty/<br>bag |
|-----------------|------------|-----------------|------|--------------|
|                 |            | A               | B    |              |
| 2               | NSHR-02V-S | *2.0            | *5.0 | 3,000        |
| 3               | NSHR-03V-S | 2.0             | 5.0  | 3,000        |
| 4               | NSHR-04V-S | 3.0             | 6.0  | 2,500        |
| 5               | NSHR-05V-S | 4.0             | 7.0  | 2,000        |
| 6               | NSHR-06V-S | 5.0             | 8.0  | 1,500        |
| 7               | NSHR-07V-S | 6.0             | 9.0  | 1,500        |
| 8               | NSHR-08V-S | 7.0             | 10.0 | 1,500        |
| 9               | NSHR-09V-S | 8.0             | 11.0 | 1,000        |
| 10              | NSHR-10V-S | 9.0             | 12.0 | 1,000        |
| 11              | NSHR-11V-S | 10.0            | 13.0 | 1,000        |
| 12              | NSHR-12V-S | 11.0            | 14.0 | 1,000        |
| 13              | NSHR-13V-S | 12.0            | 15.0 | 1,000        |
| 14              | NSHR-14V-S | 13.0            | 16.0 | 1,000        |
| 15              | NSHR-15V-S | 14.0            | 17.0 | 1,000        |

### Material and Finish

PBT, UL94V-0, natural

### RoHS2 compliance

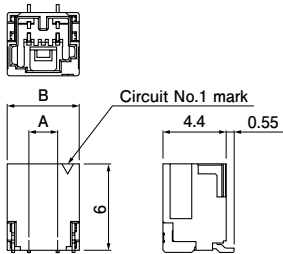
Note: 2 circuits product is that the second pin of 3 circuits product is plugged up. (Between circuits 2.0mm pitch)

# NSH CONNECTOR

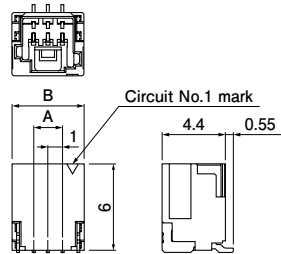
## Header

### Top entry type

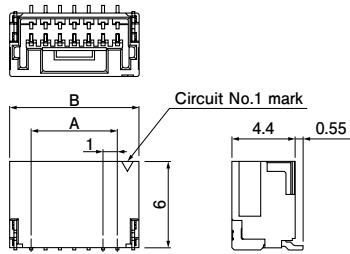
<2 circuits>



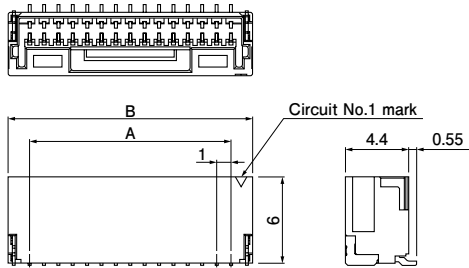
<3 circuits>



<4 to 9 circuits>

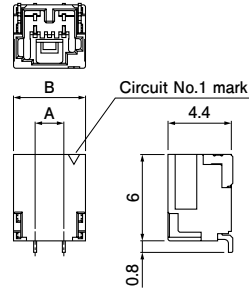


<10 to 15 circuits>

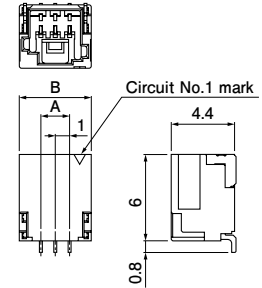


### Side entry type

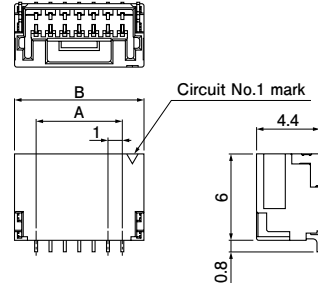
<2 circuits>



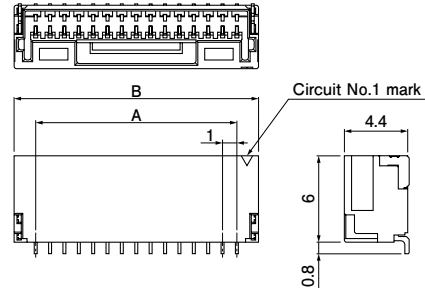
<3 circuits>



<4 to 9 circuits>



<10 to 15 circuits>



### Top entry type

| No. of circuits | Model No.       | Dimensions (mm) |      | Q'ty/ reel |
|-----------------|-----------------|-----------------|------|------------|
|                 |                 | A               | B    |            |
| 2               | BM02B-NSHSS-TBT | *2.0            | *5.0 | 1,000      |
| 3               | BM03B-NSHSS-TBT | 2.0             | 5.0  | 1,000      |
| 4               | BM04B-NSHSS-TBT | 3.0             | 6.0  | 1,000      |
| 5               | BM05B-NSHSS-TBT | 4.0             | 7.0  | 1,000      |
| 6               | BM06B-NSHSS-TBT | 5.0             | 8.0  | 1,000      |
| 7               | BM07B-NSHSS-TBT | 6.0             | 9.0  | 1,000      |
| 8               | BM08B-NSHSS-TBT | 7.0             | 10.0 | 1,000      |
| 9               | BM09B-NSHSS-TBT | 8.0             | 11.0 | 1,000      |
| 10              | BM10B-NSHSS-TBT | 9.0             | 12.0 | 1,000      |
| 11              | BM11B-NSHSS-TBT | 10.0            | 13.0 | 1,000      |
| 12              | BM12B-NSHSS-TBT | 11.0            | 14.0 | 1,000      |
| 13              | BM13B-NSHSS-TBT | 12.0            | 15.0 | 1,000      |
| 14              | BM14B-NSHSS-TBT | 13.0            | 16.0 | 1,000      |
| 15              | BM15B-NSHSS-TBT | 14.0            | 17.0 | 1,000      |

#### Material and Finish

Contact: Copper alloy, copper-undercoated, tin-plated (reflow treatment)  
 Wafer: Polyamide, UL94V-0, natural  
 Reinforcement: Copper alloy, copper-undercoated, tin-plated (reflow treatment)

**RoHS2 compliance** This product displays (LF)(SN) on a label.  
 Note: 1. The products listed above are supplied on embossed-tape/with suction tape.  
 2. 2 circuits product is that the second pin of 3 circuits product is plugged up. (Between circuits 2.0 mm pitch)

### Side entry type

| No. of circuits | Model No.      | Dimensions (mm) |      | Q'ty/ reel |
|-----------------|----------------|-----------------|------|------------|
|                 |                | A               | B    |            |
| 2               | SM02B-NSHSS-TB | *2.0            | *5.0 | 1,500      |
| 3               | SM03B-NSHSS-TB | 2.0             | 5.0  | 1,500      |
| 4               | SM04B-NSHSS-TB | 3.0             | 6.0  | 1,500      |
| 5               | SM05B-NSHSS-TB | 4.0             | 7.0  | 1,500      |
| 6               | SM06B-NSHSS-TB | 5.0             | 8.0  | 1,500      |
| 7               | SM07B-NSHSS-TB | 6.0             | 9.0  | 1,500      |
| 8               | SM08B-NSHSS-TB | 7.0             | 10.0 | 1,500      |
| 9               | SM09B-NSHSS-TB | 8.0             | 11.0 | 1,500      |
| 10              | SM10B-NSHSS-TB | 9.0             | 12.0 | 1,500      |
| 11              | SM11B-NSHSS-TB | 10.0            | 13.0 | 1,500      |
| 12              | SM12B-NSHSS-TB | 11.0            | 14.0 | 1,500      |
| 13              | SM13B-NSHSS-TB | 12.0            | 15.0 | 1,500      |
| 14              | SM14B-NSHSS-TB | 13.0            | 16.0 | 1,500      |
| 15              | SM15B-NSHSS-TB | 14.0            | 17.0 | 1,500      |

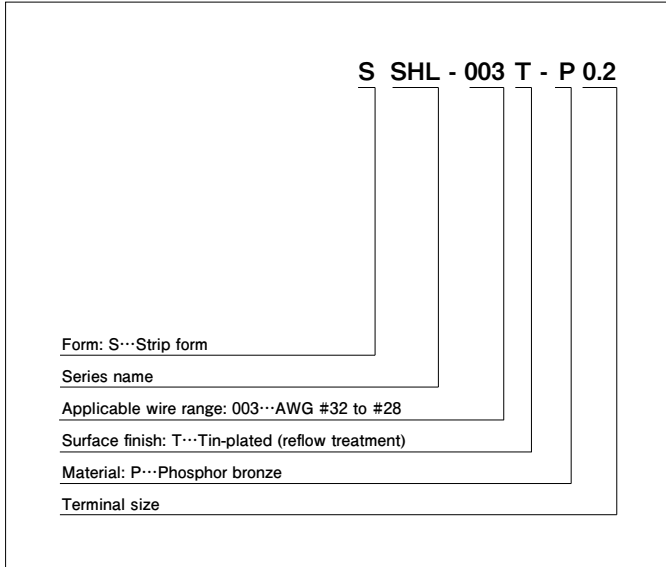
#### Material and Finish

Contact: Copper alloy, copper-undercoated, tin-plated (reflow treatment)  
 Wafer: Polyamide, UL94V-0, natural  
 Reinforcement: Copper alloy, copper-undercoated, tin-plated (reflow treatment)

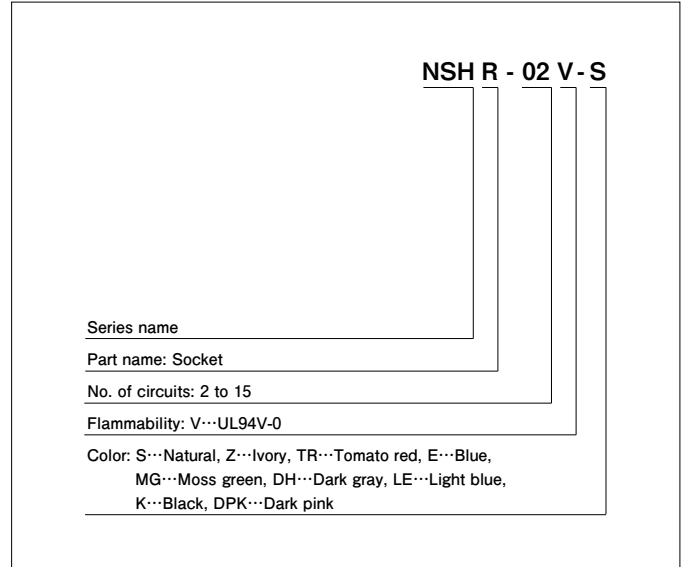
**RoHS2 compliance** This product displays (LF)(SN) on a label.  
 Note: 1. The products listed above are supplied on embossed-tape/without suction tape.  
 2. 2 circuits product is that the second pin of 3 circuits product is plugged up. (Between circuits 2.0 mm pitch)

## Model number allocation

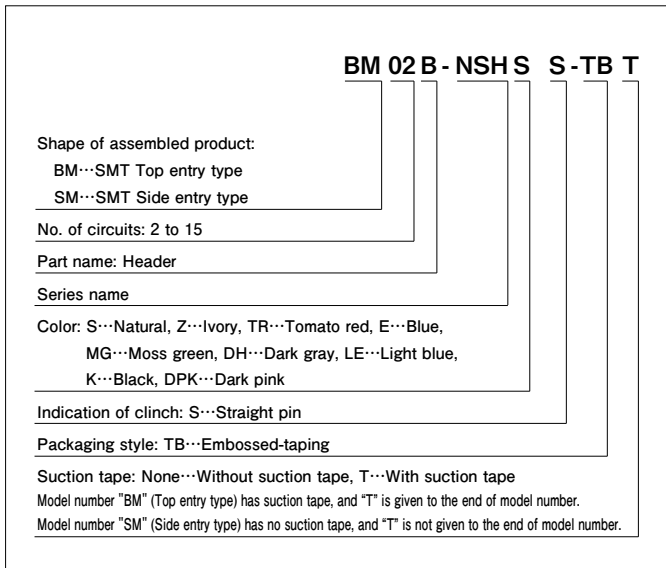
### Contact



### Housing



### Header



单击下面可查看定价，库存，交付和生命周期等信息

[>>JST\(杰世腾\)](#)