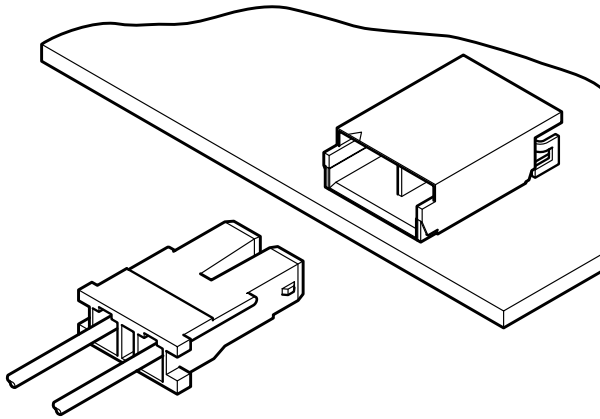




BHS CONNECTOR



3.5mm pitch/Disconnectable Crimp style connectors



- Low profile
- SMT configuration
- Applicable to special wires
- Housing lock also serves as polarizing device
- Adopt wide large for socket contact

Specifications

- Current rating: 1.0A AC, DC (AWG #24)
- Voltage rating: 1,400V AC, DC
- Temperature range: -25°C to +85°C
(including temperature rise in applying electrical current)
- Contact resistance: Initial value/10m Ω max.
After environmental testing/20m Ω max.
- Insulation resistance: 1,000M Ω min.
- Withstanding voltage: 3,800V AC/minute
- Applicable wire: AWG #28 to #24
Insulation O.D./0.9 to 1.7mm
- * Compliant with RoHS.
- * Refer to "General Instruction and Notice when using Terminals and Connectors" at the end of this catalog.
- * Contact JST for details.

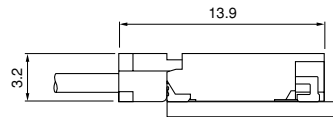
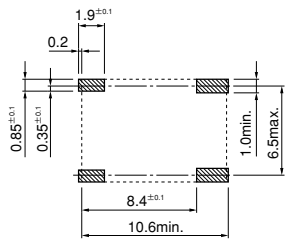
Standards

Recognized E60389

Certified LR20812

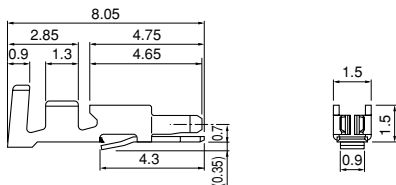
PC board layout (viewed from component side) and Assembly layout

Solder tabs Solder tails



Note: 1. Tolerances are non-cumulative: ± 0.1 mm for all centers.
2. The dimensions above should serve as a guideline. Contact JST for details.

Contact



Model No.	Applicable wire		Insulation O.D. (mm)	Q'ty / reel
	mm ²	AWG#		
SBHS-002T-P0.5A	0.08~0.22	28~24	0.9~1.7	10,000

Material and Finish

Phosphor bronze, tin-plated (reflow treatment)

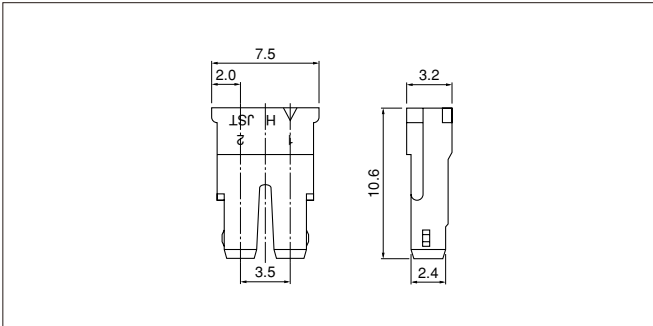
RoHS compliance

Note: Contact JST for SBHS-002T-P0.5.

Contact	Crimping machine	Applicator		
		Crimp applicator	Dies	Crimp applicator with dies
SBHS-002T-P0.5A	AP-K2N	MKS-L	MK/SBHS-002-05	APLMK SBHS002-05
		—	—	—

BHS CONNECTOR

Housing



Circuits	Model No.	Q'ty / bag
2	BHSR-02VS-1 (N)	1,000

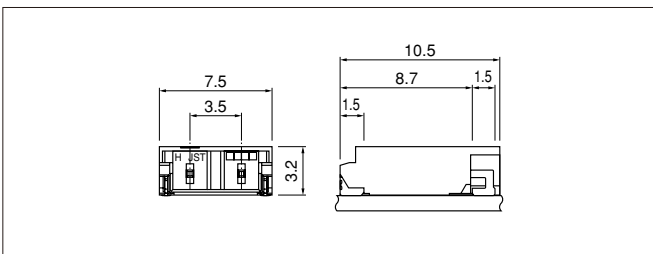
Material

PA 66, UL94V-0, natural (white)

RoHS compliance

Note: Contact JST for BHSR-02VS-1.

Shrouded header



Circuits	Model No.	Q'ty / reel
2	SM02B-BHSS-1-TB	1,000

Material and Finish

Post: Brass, copper-undercoated, tin-plated (reflow treatment)

Wafer: PPA, UL94V-0, natural (ivory)

Solder tab: Brass, copper-undercoated, tin-plated (reflow treatment)

RoHS compliance

This product displays (LF)(SN) on a label.
Note: The products listed above are supplied on embossed tape.

单击下面可查看定价，库存，交付和生命周期等信息

[>>JST\(日本压着端子製造株式会社\)](#)