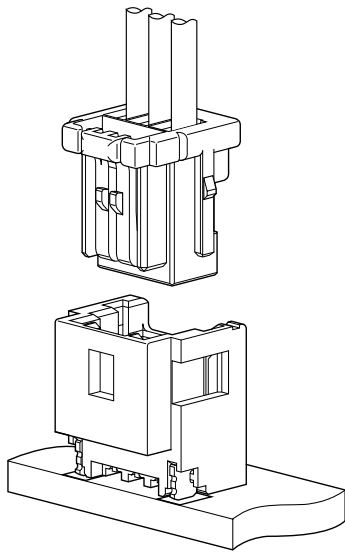




APSH CONNECTOR



1.0mm pitch/Disconnectable Crimp style connectors



While realizing the space saving, this is the connector having the secure lock structure. By this, it is prevented the housing coming off by handling the wires or adding the vibration. This connector is very small, and it is possible to suppress the inverted insertion and achieves a clear insertion feeling.

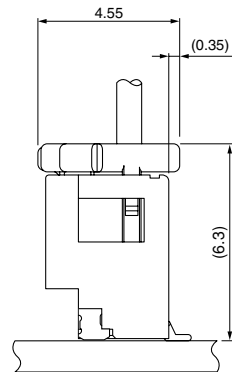
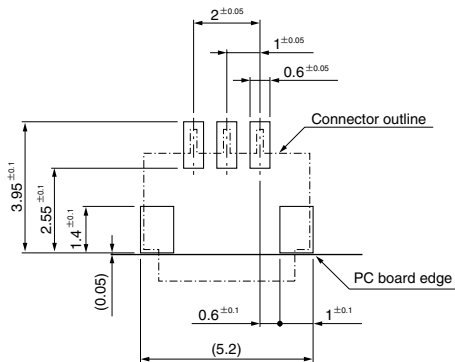
- Space saving design
- Secure locking structure
- Mechanism for preventing the inverted insertion

Specifications

- Current rating: 1.0 A AC, DC (AWG #28)
- Voltage rating: 50 V AC, DC
- Temperature range: -25°C to +85°C
(including temperature rise in applying electrical current)
- Contact resistance: Initial value/ 20 mΩ max.
After environmental tests/ 40 mΩ max.
- Insulation resistance: 100 MΩ min.
- Withstanding voltage: 500 VAC/minute
- Applicable wire: Conductor size/ AWG #32 to #28
Insulation O.D./ 0.4 to 0.8 mm

- * Refer to "General Instruction and Notice when using Terminals and Connectors" at the end of this catalog.
- * Contact JST for details.
- * Compliant with RoHS.

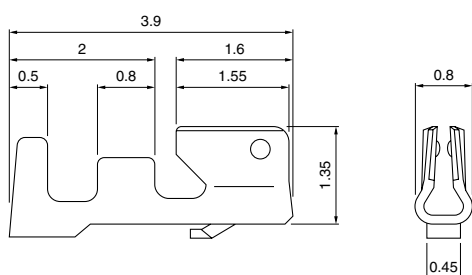
PC board layout and Assembly layout



Note: 1. The above figure is the figure viewed from the connector mounting side.

2. Tolerances are non-cumulative: ±0.05 mm for all centers. The dimensions above should serve as a guideline. Contact JST for details.

Contact



Model No.	Applicable wire		Insulation O.D. (mm)	Q'ty/ reel
	mm ²	AWG#		
SSH-003T-P0.2-H	0.032~0.08	32~28	0.4~0.8	23,000

Material and Finish

Phosphor bronze, tin-plated (reflow treatment)

RoHS compliance

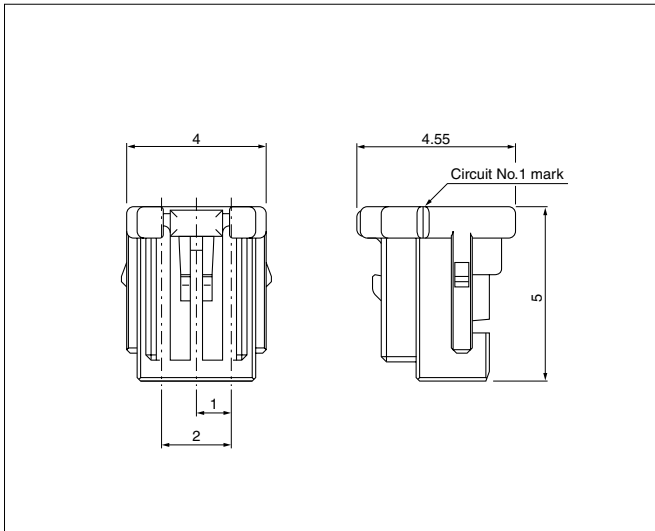
Contact	Crimping machine	Applicator		
		Crimp applicator	Dies	Crimp applicator with dies
SSH-003T-P0.2-H	AP-K2N	MKS-L-10-3	MK/SSH/L-003-02	APLMK SSH/L003-02
		*MKS-SC	SC/SSH/L-003-02	APLSC SSH/L003-02

Note: *Strip-crimp applicator

Contact JST for applicable wires in case that it is not usable due to wire size.

APSH CONNECTOR

Housing



Circuits	Model No.	Q'ty/box
3	APSHR-03V-S	1,000

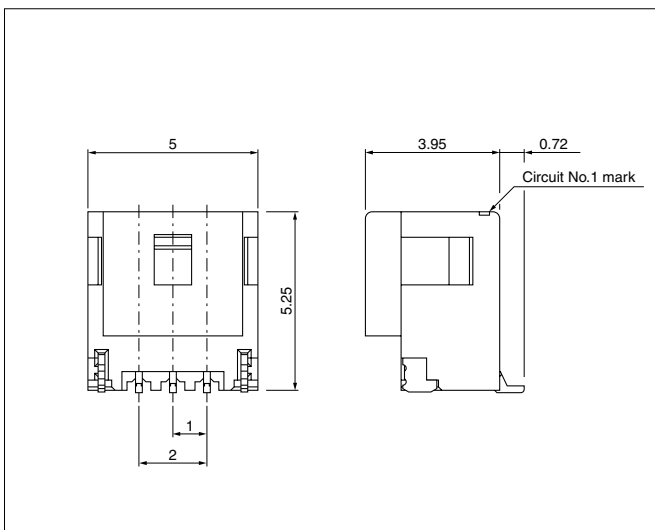
Material		
Glass-filled PBT, UL94V-0, natural		

RoHS compliance

<For reference> As the color identification, the following alphabet shall be put in the underlined part. For availability, delivery and minimum order quantity, contact JST.

ex. **APSHR-03V-S**
 S...natural K...black E...blue TR...tomato red L...lemon yellow

Header



Circuits	Model No.	Q'ty/reel
3	BM03B-APSHSS-ETFT	1,800

Material and Finish		
Contact: Copper alloy, copper-undercoated, tin-plated (reflow treatment)		
Wafer: PA 9T, UL94V-0, natural		
Solder tab: Copper-alloy, copper-undercoated, tin-plated (reflow treatment)		

RoHS compliance This product displays (LF)(SN) on a label.
 Note: The product listed above are supplied on embossed-tape.

<For reference> As the color identification, the following alphabet shall be put in the underlined part. For availability, delivery and minimum order quantity, contact JST.

ex. **BM03B-APSHSS-ETFT**
 S...natural K...black E...blue TR...tomato red L...lemon yellow