

MAPX	MODIFICATION	DATE
------	--------------	------

规格说明: Specifications:
电气特性: Electrical:

1. 额定电流: Current Rating
1.5A/contact terminal
2. 额定电压: Voltage Rating
30V DC
3. 接触阻抗: Contact Resistance
30 milliohms MAX
4. 耐电压: Dielectric Withstanding Voltage:
500 V AC AT Sea Level
5. 绝缘阻抗: Insulation Resistance:
1000MEGA ohms MIN

物理性能: Mechanical:

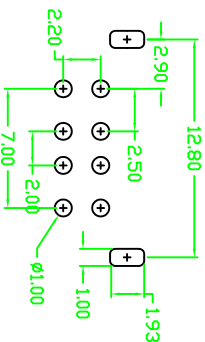
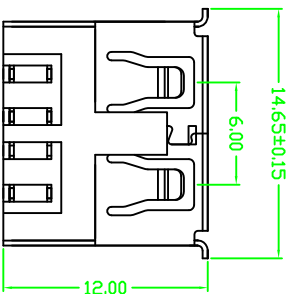
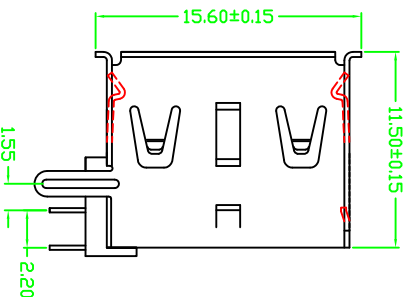
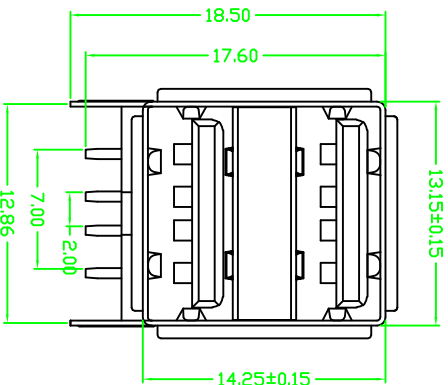
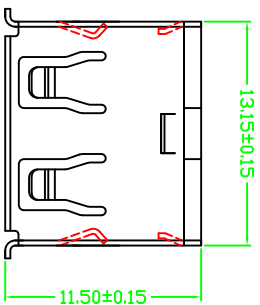
1. 插拔力: Connector Mate and Unmate Force
Mate force: 3.57kgf (MAX)
Unmate force: 1.02kgf (MIN)
2. 端子保持力: Terminal Retention
1.2kgf (MIN)

原材料: Material:

1. 塑胶: Housing:
Hing Temperature Thermoplastics,
Ul 94V-0 PBT White/Black
2. 端子: Contact: Copper Alloy C2680
3. 外壳: Shell: Copper Alloy C2680

电镀: Finish:

1. 端子: Contact: Plated Gold in Mating Area;
Tin On Solder Tails
2. 外壳: Shell:
Nickel Plating



深圳市精拓金电子有限公司

产品图

PRODUCT CHART DWG

公差一览表

TOLERANCE UNLESS OTHERWISE	公差
X ±0.15	X ±0.15
X ±0.10	X ±0.10
XX ±0.05	XX ±0.05
XXX ±0.03	XXX ±0.03

单位 UNITS	MM	制图 DRAWING	许密强	制图料号 PRODUCT PART NO.
比例 SCALE	1:1	审核 CHKD	郭治富	产品名称 PRODUCT NO.
日期 DATE	2016-09-09	核准 APD	黄国荣	角法 VIEW
				版本 VER
				AD

1 2 3 4 7 8 9 10