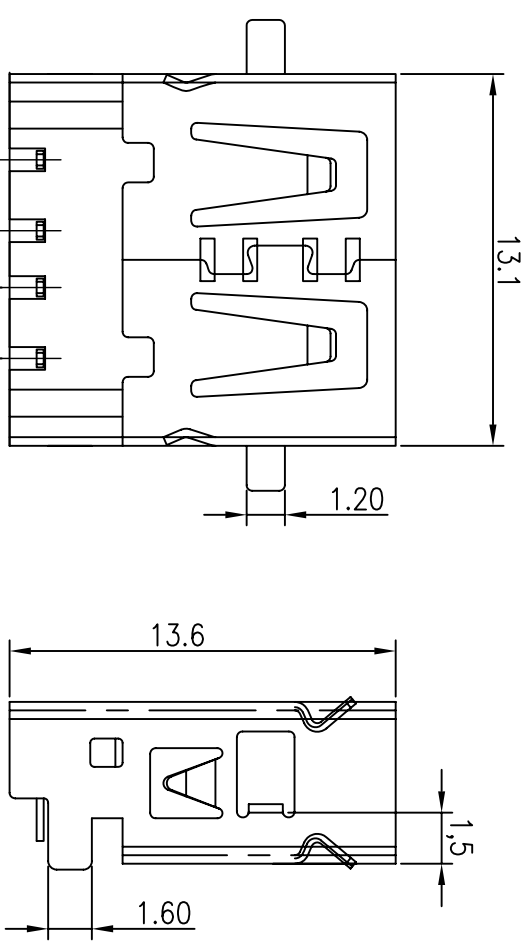
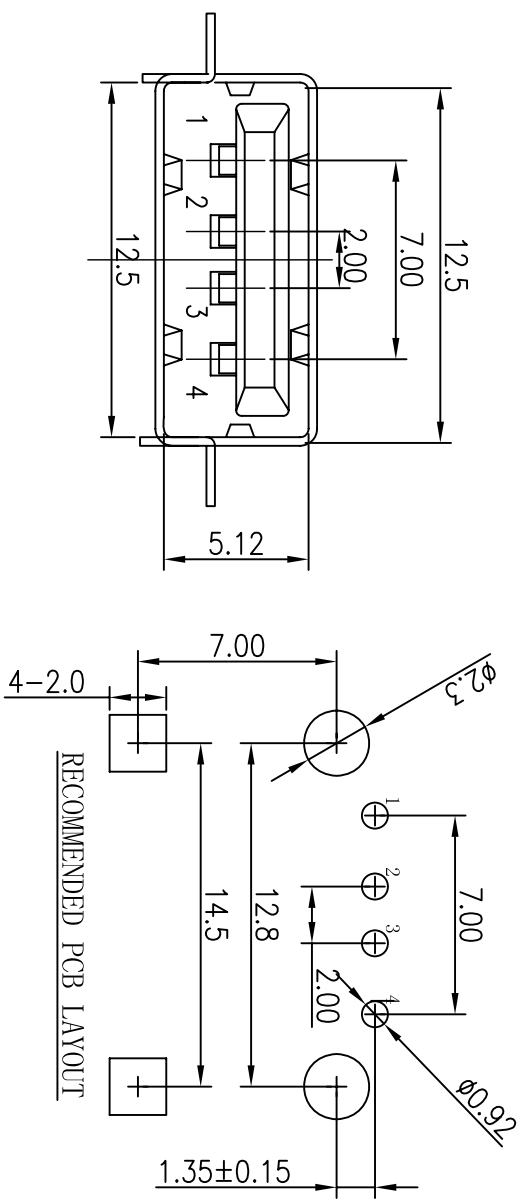


MAPX	MODIFICATION	DATE
------	--------------	------



RECOMMENDED PCB LAYOUT

规格说明: Specifications:  
电气特性: Electrical:

1. 额定电流: Current Rating  
1.5A/contact terminal
2. 额定电压: Voltage Rating  
30V DC
3. 接触阻抗: Contact Resistance  
30 milliohms MAX
4. 耐电压: Dielectric Withstanding Voltage:  
500 V AC AT Sea Level
5. 绝缘阻抗: Insulation Resistance:  
1000MEGA ohms MIN

物理性能: Mechanical:

1. 插拔力: Connector Mate and Unmate Force  
Mate force: 3.57kgf (MAX)  
Unmate force: 1.02kgf (MIN)
2. 端子保持力: Terminal Retention  
1.0kgf (MIN)

原材料: Material:

1. 塑胶: Housing:  
Hing Temperature Thermoplastics,  
UI 94V-0 PBT White/Black
2. 端子: Contact: Copper Alloy C2680
3. 外壳: Shell: Copper Alloy SPCC

电镀: Finish:

1. 端子: Contact: Plated Gold in Mating Area;  
Tin On Solder Tails
2. 外壳: Shell:  
Nickel Plating

产品图  
PRODUCT CHART DWG

深圳市精拓金电子有限公司

公差一览表 TOLERANCE UNLESS OTHERWISE		单位 UNITS	MM	制图 DRAWING	Gavin	制料号 PRODUCT PART NO.	
X	±0.35	X	±5°	审核 CHKD	郭治富	产品名称 PRODUCT NO.	USB A/F 流媒体(无卷边) 带翘脚 端子10IP
X	±0.30	X	±2°	核准 APPD	黄国荣	角法 VIEW	版本 VER
XX	±0.20	.XX	±1°				AD
XXX	±0.10	.XXX	±0.5°	日期 DATE	2016-03-23		

1 2 3 4 5 6 7 8 9 10  
G F E D C B A  
G F E D C B A