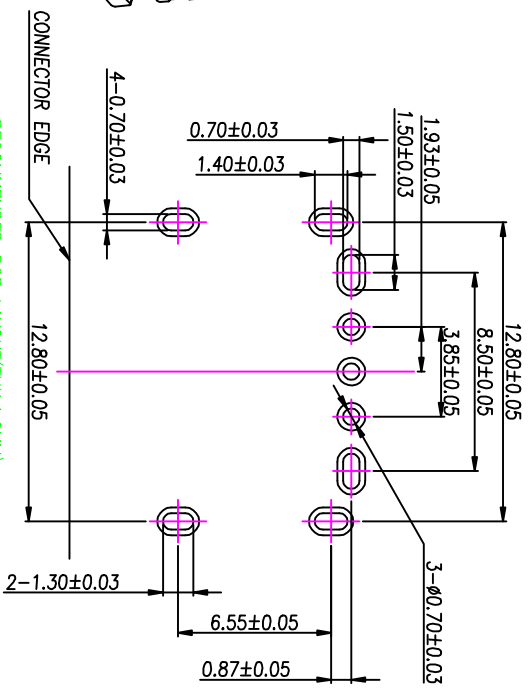
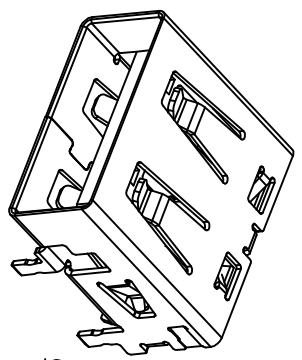
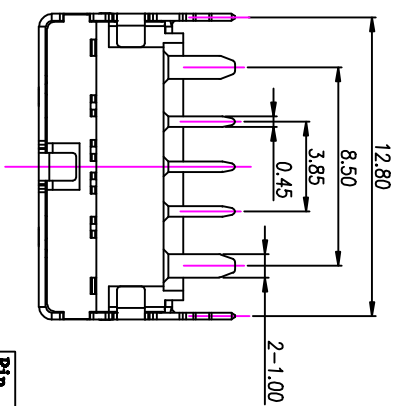
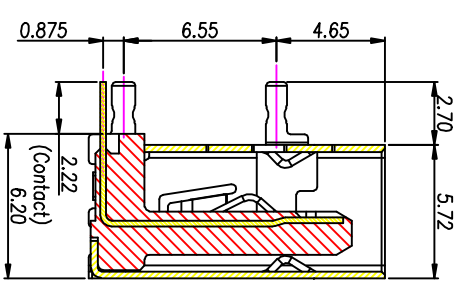
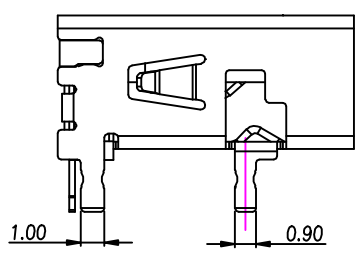
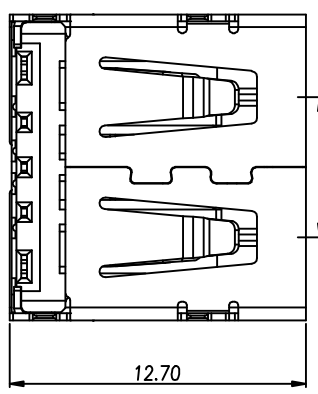
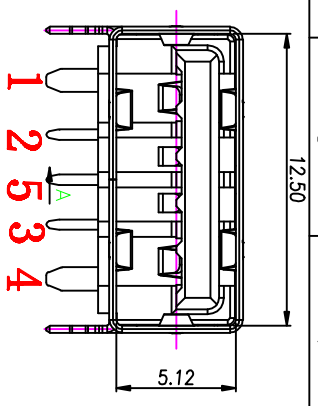


MAPX	MODIFICATION	DATE
------	--------------	------



- NOTE:
 *Products comply with ROHS requirements
 *Material:
 1.Housing: PA9T UL94V-0
 2.Terminol: Bronze(T=0.25mm)
 3.Shells:SUS201(T=0.3mm)
 *Electrical Characteristics:
 1.CONTACT RESISTANCE:30mΩ MAXIMUM
 2.CONTACT CURRENT RATING:4A at YBUS and GND PIN
 3.DIELECTRIC WITHSTANDING VOLTAGE:500 V R.M.S.
 4.INSULATION RESISTANCE 1000 MEGOHMS MIN
 5.OPERATING TEMPERATURE:-40°C ~ 85°C
 *Mechanical Characteristics:
 1.MATING FORCE:3.57kg MAX
 2.UNMATING FORCE:1.02kg MIN
 3.DURABILITY:MANDATORY:5,000 CYCLES

由 Autodesk 教育版产品制作

深圳市精拓金电子有限公司

Pin NUMBER	SIGNAL NAME	PRODUCT CHART DWG	公差	公差
1	YBUS		±0.25	±5.°
2	D-		±0.20	±2.°
3	D+		±0.15	±1.°
4	GND		±0.10	±0.5°
5	GND DEALTN			

单位	MM	制图	2-Y-B	制料号	JTJ-USB-10.0/SMT-002
比例	1:1	审核		产品名称	
日期	2015.04.24	批准		产品编号	
		APPD		画法	
				版本	A0