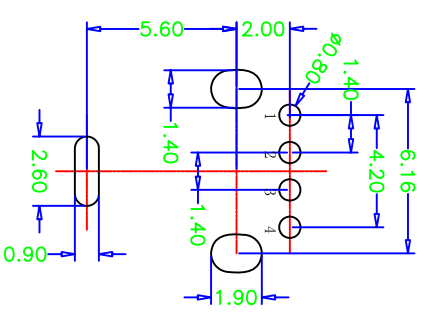
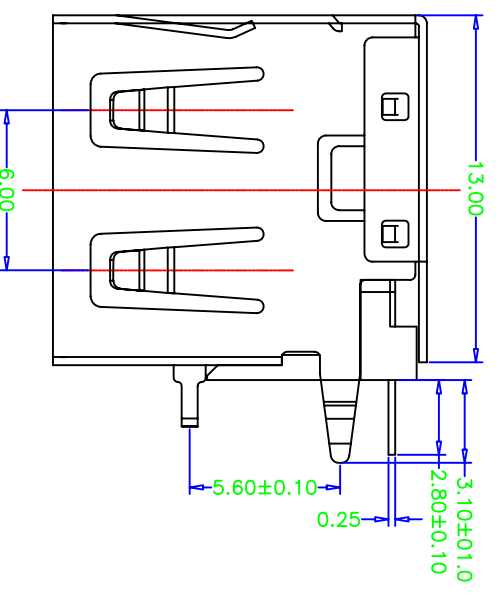
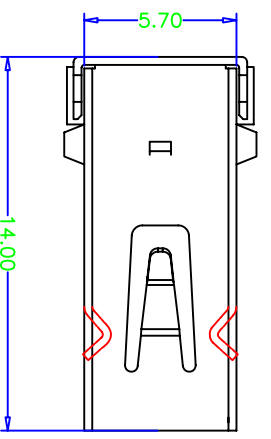
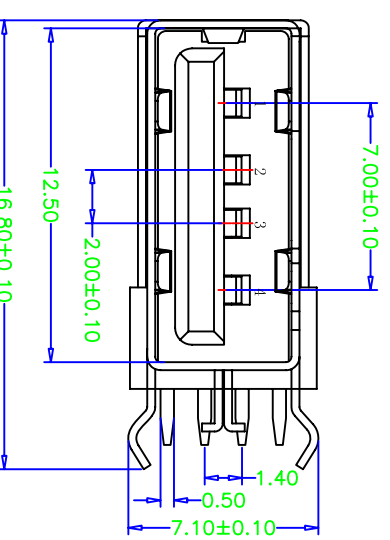
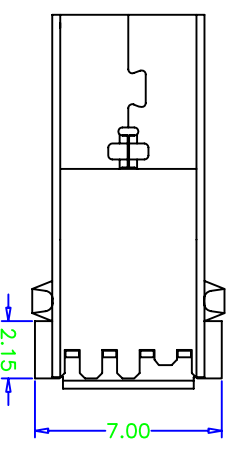


REV	MODIFICATION	DATE
A0	胶芯变更	2013.12.20



RECOMMENDED PCB LAYOUT
GENERAL TOLERANCES: ±0.05

NOTE:

1. Material:

Housing: Thermoplastics, UL94V-0 (ROHS, HF)
Contact: Phosphor Bronze C5191-EH/C2680-EH, T=0.25mm
Shell: COPPER ALLOY T=0.30mm

2. FINISH:

Contact: 15u" Gold Plated on Contact Area,
80u" Min. Tin Plated on Solder Area
50u" Min. Nickel Underplating Over ALL.
Shell: 50u" Min. Nickel Underplating Over ALL.

3. Specification:

- 3.1: Rating:
Rated voltage 500V AC/DC. Rated current: 2 A Max.
- 3.2: Electrical:
Insulation Resistance(EIA-364-21):
1000MΩ Min. at 500V/DC for 1Minute.
Contact Resistance(EIA-364-23):
30 mΩ Max. at 20mV Max, 50mA

Dielectric Withstanding Voltage (EIA-364-20):

No discharge, Flashover or breakdown at 500V/AC 1Minute
4. Plug extraction force shall be between 1.0kgf and 2.00kgf

5. Contact finish:

- 01: Selective Gold Flash
- 02: Selective Gold 3U"
- 03: Selective Gold 5U"
- 04: Selective Gold 15U"
- 05: Selective Gold 30U"

深圳市精拓金电子有限公司

产品图 PRODUCT CHART DWG		单位 UNITS		制图 DRAWING		制料号 PRODUCT PART NO.	
公差一览表 TOLERANCE UNLESS OTHERWISE		MM		2-Y-B		A/F侧立短体4P1N Y型脚无卷边 (弯脚 L=14.0)	
X	±0.25	X	±5.°	审核	CHRD	版本	REV
X	±0.20	X	±2.°	日期	DATE	角法	REV
.XX	±0.15	.XX	±1.°	2013.12.20		⊕	
.XXX	±0.10	.XXX	±0.5°			⊖	