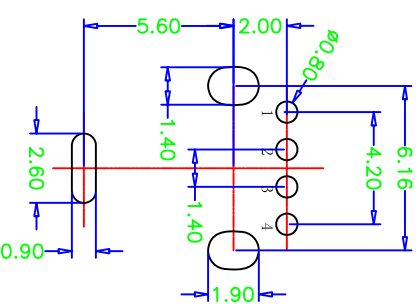
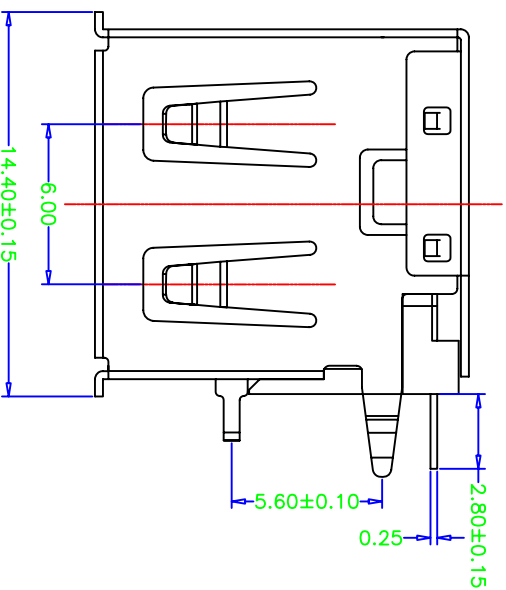
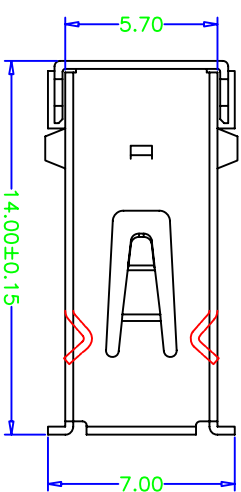
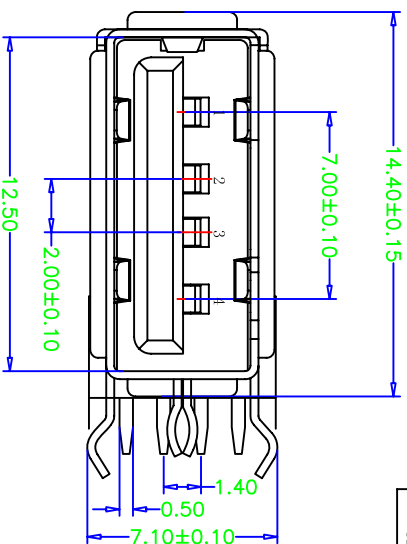
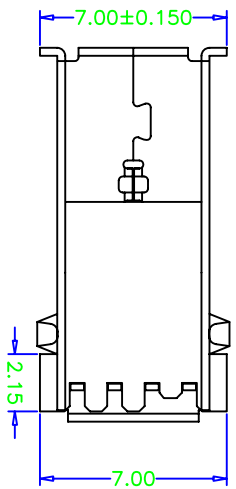


REV	MODIFICATION	DATE
A0	胶芯变更	2013.12.20



RECOMMENDED PCB LAYOUT
GENERAL TOLERANCES: ±0.05

- NOTE:
- Material:
Housing: Thermoplastics, UL94V-0 (ROHS, HF)
Contact: Phosphor Bronze C5191-EH/C2680-EH, T=0.25mm
Shell: COPPER ALLOY T=0.30mm
 - FINISH:
Contact: 15u" Gold Plated on Contact Area,
80u" Min.Tin Plated on Solder Area
50u" Min.Nickel Underplating Over ALL.
Shell: 50u" Min.Nickel Underplating Over ALL.
 - Specification:
 - Rating:
Rated voltage 500V AC/DC. Rated current: 2 A Max.
 - Electrical:
Insulation Resistance(EIA-364-21):
1000MΩ Min. at 500V/DC for 1Minute.
Contact Resistance(EIA-364-23):
30 mΩ Max. at 20mV Max, 50mA
 - Dielectric Withstanding Voltage(EIA-364-20):
No discharge, flashover or breakdown at 500V/AC 1Minute
 - Plug extraction force shall be between 1.0kgf and 2.00kgf
 - Contact finish:
 - Selective Gold Flash
 - Selective Gold 3U"
 - Selective Gold 5U"
 - Selective Gold 15U"
 - Selective Gold 30U"

产品图
公差一览表
PRODUCT CHART DWG

深圳市精拓金电子有限公司

TOLERANCE UNLESS OTHERWISE	UNIT	MM	DRAWING	制图料号
X ±0.25	X	±5.°	审核	2-Y-B
X ±0.20	X	±2.°	审核	
.XX ±0.15	.XX	±1.°	核准	
.XXX ±0.10	.XXX	±0.5°	核准	
	DATE	2013.12.20	APPD	

PRODUCT NAME	SCALE	DATE	VIEW	VERSION
USB A/F侧立短体4P1N 0型脚有卷边 (弯脚 L=14.0)	1:1	2013.12.20	角法	A0