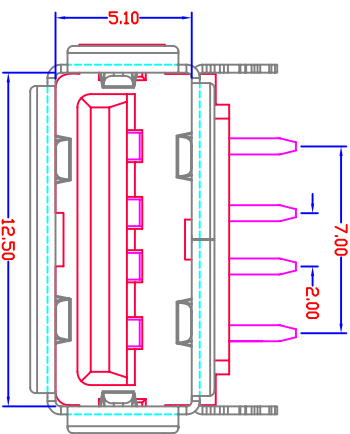
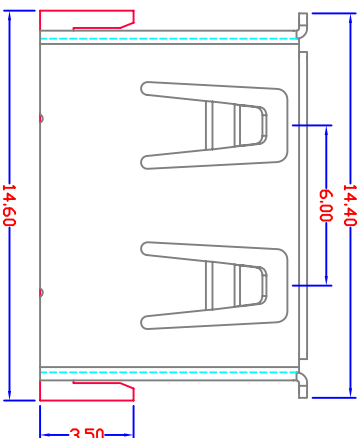
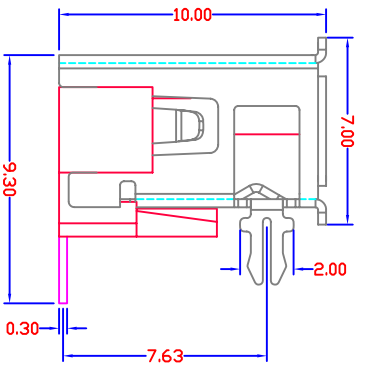
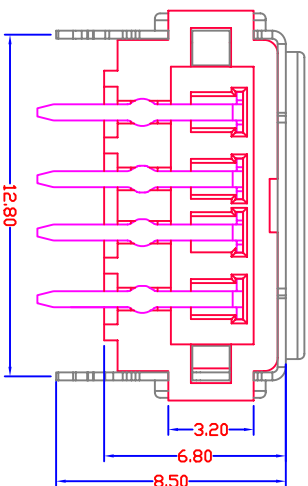


MAPX	MODIFICATION	DATE
------	--------------	------



**Specification:**

**1. Electrical Characteristics:**

Dielectric Withstanding Voltage: AC 500V/1MINUTE.  
 Insulation Resistance: 1000 MΩ/Min.  
 Contact Resistance: 30 mΩ) Max.

**2. Mechanical Characteristics:**

INSERTION FORCE: 30N(3.06kgf) MAX  
 EXTRACTION FORCE: 10~30N(1.02~3.06kgf)  
 Durability: 1500cycles. EXTRACTION FORCE: 10~30N(1.02~3.06kgf)

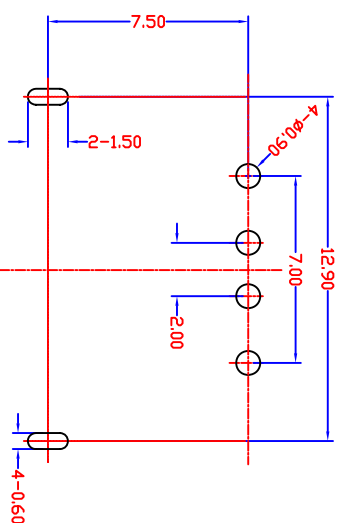
**3. Material:**

Terminal: Phosphor Bronze, C5191/C2680R-EH T=0.25  
 Plating: Gold 0.76 um Min plating over 1.27 um Min Nickel underplate; 2.54 um Min Sn selective plating on solder tail;  
 Shell: Bronze, C2680R-H =0.30mm  
 Plating: Nickel underplate 2.54 um Min;

Housing: LCP Black

**4. Environmental:**

Operating Temperature: 0°C to +85°C.



**RECOMMENDED P.C.B LAYOUT**

深圳市精拓金电子有限公司

产品图  
PRODUCT CHART DWG

公差一览表

TOLERANCE UNLESS OTHERWISE	公差
X ±0.15 X ±5°	
X ±0.10 X ±2°	
XX ±0.05 XX ±1°	
XXX ±0.03 .XXX ±0.5°	

单位	MM	制图	Z-Y-B	制图料号	JTJ-USB-AV/F-10.0-008
比例	1:1	审核		产品名称	USB A/F 90° 短体前两脚有边
日期	2012.04.1	核准		PRODUCT NO	
DATE		APPD		角法	90°
				版本	AD