

MAPX	MODIFICATION	DATE
------	--------------	------

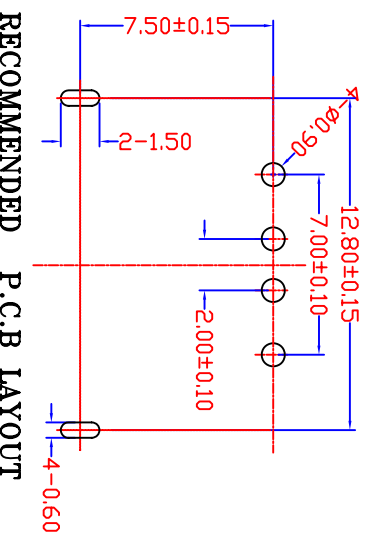
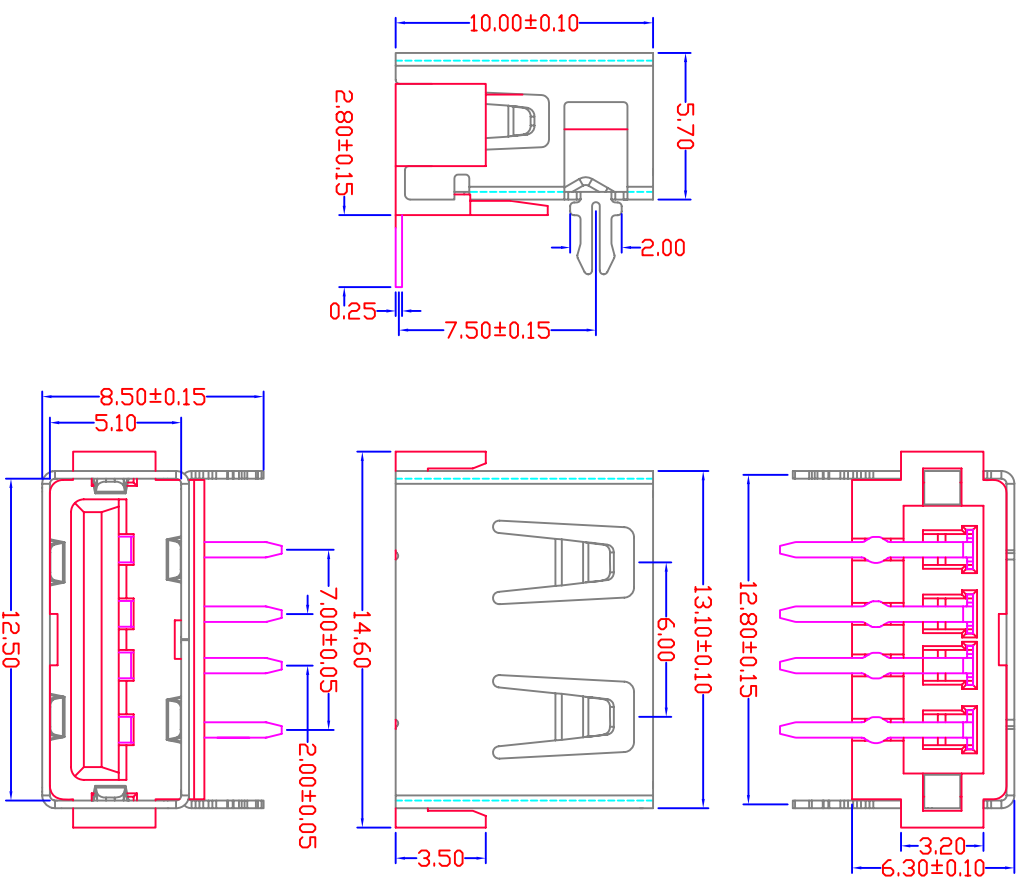
Specification:

1. Electrical Characteristics:
 Dielectric Withstanding Voltage: AC 500V/1MINUTE.
 Insulation Resistance: 1000 MΩ/Min.
 Contact Resistance: 30 mΩ/ Max.

2. Mechanical Characteristics:
 INSERTION FORCE: 30N(3.06Kg) MAX
 EXTRACTION FORCE: 10~30N(1.02~3.06Kg)
 Durability: 1500cycles. EXTRACTION FORCE: 10~30N(1.02~3.06Kg)

3. Material:
 Terminal: Phosphor Bronze, C5191/C2680R-EH T=0.25
 Plating: Gold 0.76 um Min plating over 1.27 um Min Nickel underplate, 2.54 um Min Sn selective plating on solder tail;
 Shell: Bronze, C2680R-H =0.30mm
 Plating: Nickel underplate 2.54 um Min;
 Housing: LCP Black

4. Environmental:
 Operating Temperature: 0°C to +85°C.



RECOMMENDED P.C.B LAYOUT

产品图
PRODUCT CHART DWG

深圳市精拓金电子有限公司

公差一览表		制图		制图料号	
TOLERANCE UNLESS OTHERWISE	UNIT	BRAVING	Z-Y-B	PRODUCT PART NO	JTJ-USB-A/F-10.0-018
X. ±0.30	X	审核		产品名称	USB A/F 90° 短体前两脚无边
.X ±0.25	X	OKD		PRODUCT NO	
.XX ±0.15	.XX	日期		角法	
.XXX ±0.10	.XXX	DATE	2012/04/1	版本	AD
		APPD		VER	

