

MAPX	MODIFICATION	DATE
------	--------------	------

Specification:

1. Electrical Characteristics:

Dielectric Withstanding Voltage: AC 500V/1MINUTE.
 Insulation Resistance: 1000 MΩ/Min.
 Contact Resistance: 30 mΩ/ Max.

2. Mechanical Characteristics:

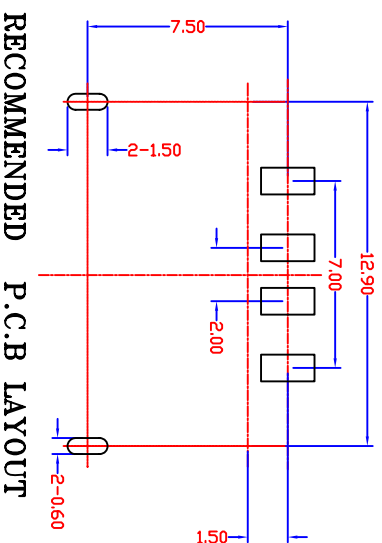
INSERTION FORCE: 30N(3.06kgf) MAX
 EXTRACTION FORCE: 10~30N(1.02~3.06kgf)
 Durability: 1500cycles. EXTRACTION FORCE: 10~30N(1.02~3.06kgf)

3. Material:

Terminal: Phosphor Bronze, C5191/C2680R-EH T=0.25
 Plating: Gold 0.76 um Min plating over 1.27 um Min Nickel underplate; 2.54 um Min Sn selective plating on solder tail;
 Shell: Bronze, C2680R-H =0.30mm
 Plating: Nickel underplate 2.54 um Min;
 Housing: LCP Black

4. Environmental:

Operating Temperature: 0°C to +85°C.



RECOMMENDED P.C.B LAYOUT

深圳市精拓金电子有限公司

产品图
PRODUCT CHART DWG

公差一览表
TOLERANCE UNLESS OTHERWISE

X	±0.15	X	±5°
X	±0.10	X	±2°
XX	±0.05	XX	±1°
XXX	±0.03	XXX	±0.5°

单位 UNITS	MM	制图 DRAWING	Z-Y-B	制图料号 PRODUCT PART NO.	JTJ-USB-A/F-10.0-036
比例 SCALE	1:1	审核 CHKD		产品名称 PRODUCT NAME	USB A/F SMT 短体前两脚无边
日期 DATE	2012.04.1	核准 APPD		角法 VIEW	
				版本 VER	A0