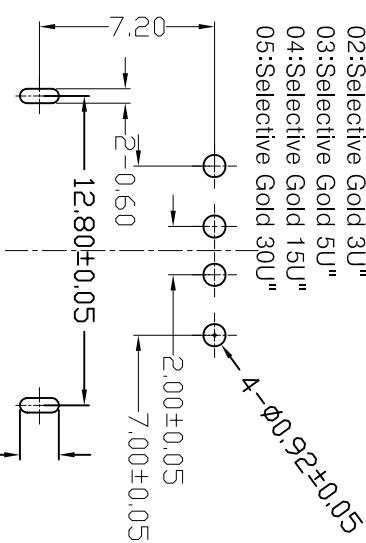
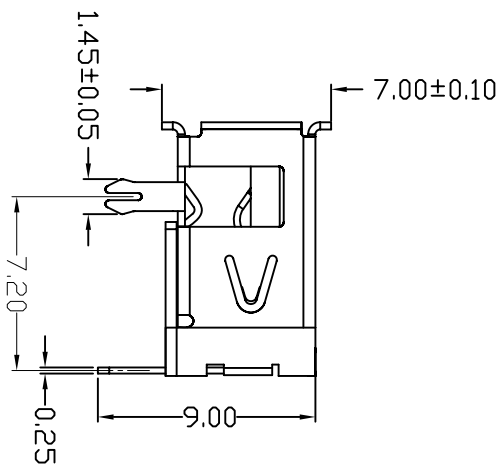
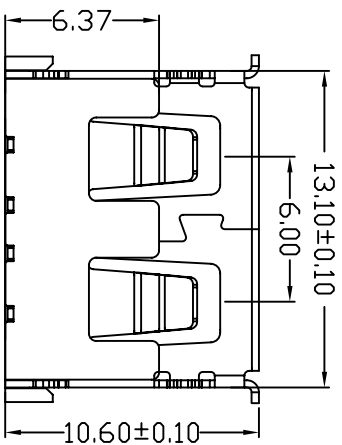
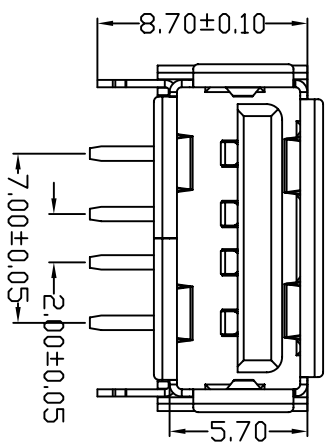
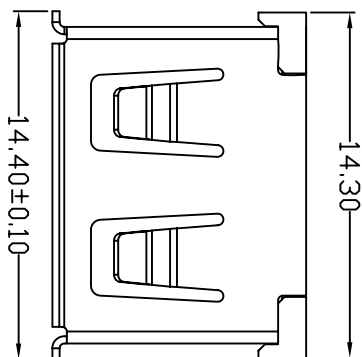


# D款, 正向10.6前两脚, DIP-\*6.20



FRONT EDGE OF CONNECTOR  
PCB LAYOUT (T=1.60mm)

### NOTES:

1. HOUSING: SEE NOTES, UL94V-0.  
TERMINAL: SEE NOTES.  
SHELL: SEE NOTES.

### SPECIFICATION:

#### 1. ELECTRICAL CHARACTERISTIC:

CONTACT RESISTANCE: 30MΩ MAX  
DIELECTRIC WITHSTANDING VOLTAGE: 500V AC FOR 1MIN  
INSULATION RESISTANCE: 1000MΩ MIN

#### 2. MECHANICAL CHARACTERISTIC:

INSERTION FORCE: 35N(3.57KGF) MAX  
EXTRACTION FORCE: 10~35N(1.02~3.57KGF) MIN  
DURABILITY: 1500 CYCLES EXTRACTION FORCE: 10~35N  
5000 CYCLES MIN

#### 3. ENVIRONMENTAL:

OPERATING TEMPERATURE: -55°C+85°C

#### 4. Contact finish:

- 01: Selective Gold Flash
- 02: Selective Gold 3U"
- 03: Selective Gold 5U"
- 04: Selective Gold 15U"
- 05: Selective Gold 30U"

## 产品图

# 深圳市精拓金电子有限公司

PRODUCT CHART DWG

公差一覽表

TOLERANCE UNLESS OTHERWISE

X	±0.15	X	±5°
X	±0.10	X	±2°
XX	±0.05	XX	±1°
XXX	±0.03	XXX	±0.5°

单位: MM

制图: Z-Y-B

日期: 20120924

比例: 1:1

日期: 20120924

日期: 20120924

日期: 20120924

日期: 20120924