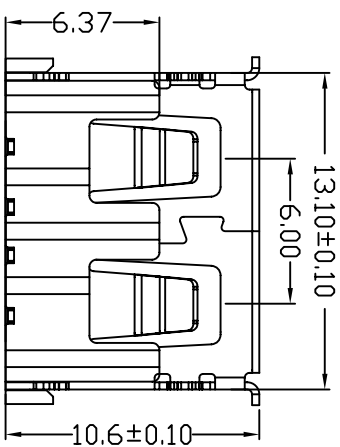
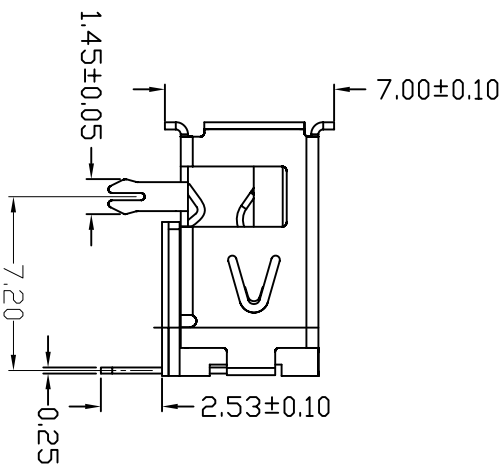
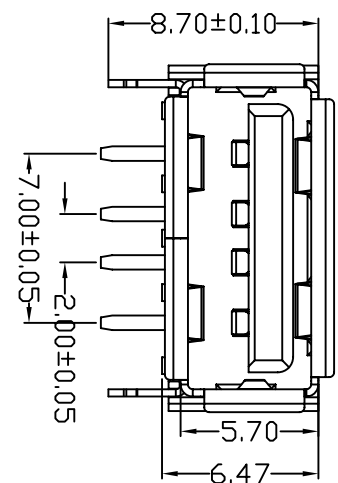
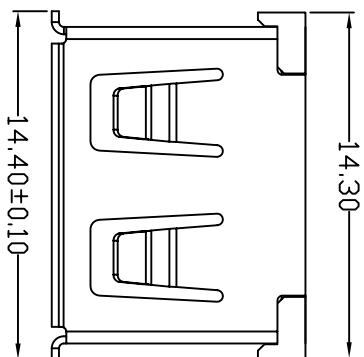


D款, 正向10.6前两脚, DIP-*6.50



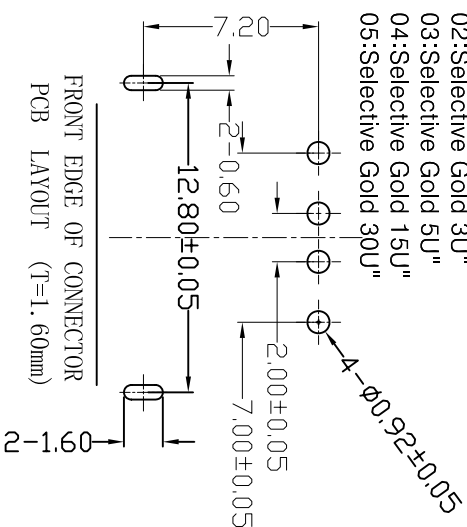
MAPX	MODIFICATION	DATE
------	--------------	------

NOTES:
 1. HOUSING: SEE NOTES, UL94V-0.
 TERMINAL: SEE NOTES.
 SHELL: SEE NOTES.

SPECIFICATION:
 1. ELECTRICAL CHARACTERISTIC:
 CONTACT RESISTANCE: 30MΩ MAX
 DIELECTRIC WITHSTANDING VOLTAGE: 500V AC FOR 1MIN
 INSULATION RESISTANCE: 1000MΩ MIN
 2. MECHANICAL CHARACTERISTIC:
 INSERTION FORCE: 35N(3.57KGF) MAX
 EXTRACTION FORCE: 10~35N(1.02~3.57KGF)MIN
 DURABILITY: 1500 CYCLES EXTRACTION FORCE:10~35N
 5000 CYCLES MIN

3. ENVIRONMENTAL:
 OPERATING TEMPERATURE: -55°C+85°C
 4. Contact finish:

- 01: Selective Gold Flash
- 02: Selective Gold 3U"
- 03: Selective Gold 5U"
- 04: Selective Gold 15U"
- 05: Selective Gold 30U"



深圳市精拓金电子有限公司

产品图
 PRODUCT CHART DWG

公差一览表		单位		制图		制图料号	
TOLERANCE UNLESS OTHERWISE	UNITS	MM	DRAWING	Z-Y-B	PRODUCT PART NO	JTJ-USB-10.6-001	
X ±0.15	X	±5°	比例	1:1	产品名称	USB A/F 10.6有边前脚鱼叉(方弹)	
X ±0.10	X	±2°	日期	20120924	审核	角法	版本
XX ±0.05	XX	±1°	DATE	20120924	核准	VER	AD
XXX ±0.03	XXX	±0.5°			APRD		

G F E D C B A 1 2 3 4 5 6 7 8 9 10 G F E D C B A