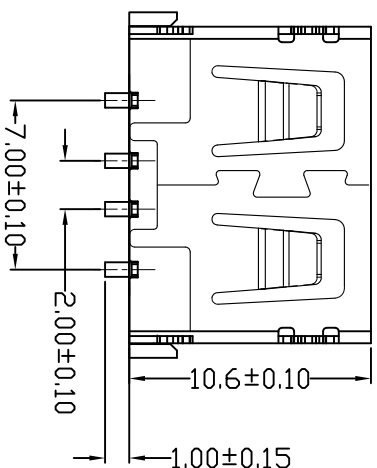
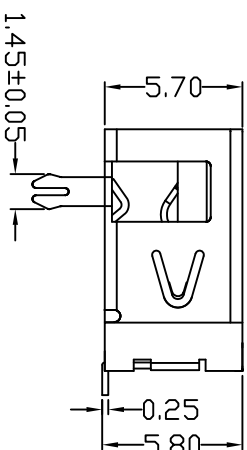
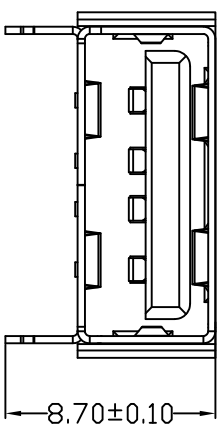
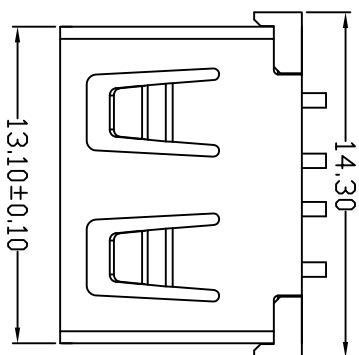


D款, 正向10.6前两脚, SMT*5.70



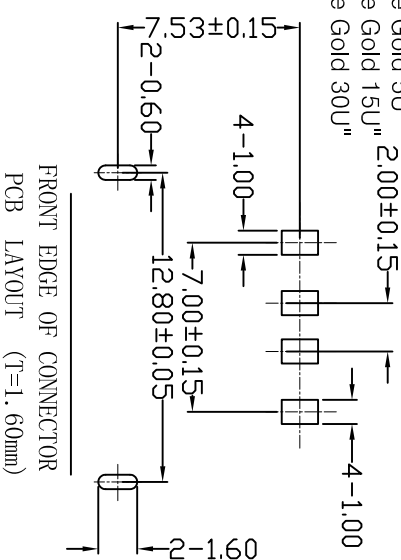
MAPX	MODIFICATION	DATE
------	--------------	------

NOTES:
 1. HOUSING: SEE NOTES, UL94V-0 .
 TERMINAL: SEE NOTES.
 SHELL: SEE NOTES.

SPECIFICATION:
 1. ELECTRICAL CHARACTERISTIC:
 CONTACT RESISTANCE: 30MΩ MAX
 DIELECTRIC WITHSTANDING VOLTAGE: 500V AC FOR 1MIN
 INSULATION RESISTANCE: 1000MΩ MIN
 2. MECHANICAL CHARACTERISTIC:
 INSERTION FORCE: 35N(3.57KGF) MAX
 EXTRACTION FORCE: 10~35N(1.02~3.57KGF)/MIN
 DURABILITY: 1500 CYCLES EXTRACTION FORCE: 10~35N
 5000 CYCLES MIN

3. ENVIRONMENTAL:
 OPERATING TEMPERATURE: -55°C+85°C

4. Contact finish:
 01: Selective Gold Flash
 02: Selective Gold 3U"
 03: Selective Gold 5U"
 04: Selective Gold 15U"
 05: Selective Gold 30U"



产品图

深圳市精拓金电子有限公司

公差一览表		单位		制图		制图料号	
TOLERANCE UNLESS OTHERWISE	UNITS	MM	DRAWING	Z-Y-B	PRODUCT PART NO	JTY-USB-10.0-006	
X ±0.25	X	±5°	审核		产品名称	USB A/R 10.6无边前两脚鱼叉(方弹)	
X ±0.20	X	±2°	核准		PRODUCT NO		
XX ±0.15	XX	±1°	DATE	20120924	角法		版本
XXX ±0.10	XXX	±0.5°	APPRO		VER		AD

FRONT EDGE OF CONNECTOR
 PCB LAYOUT (T=1.60mm)

G 1 2 3 4 5 6 7 8 9 10 G