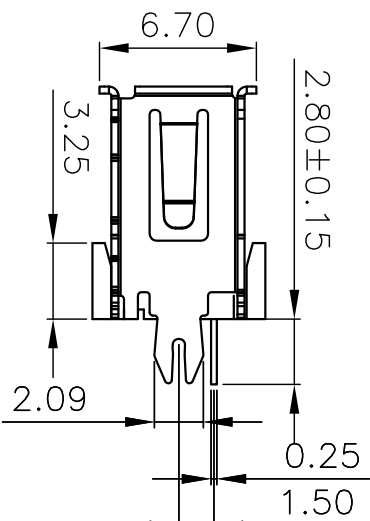
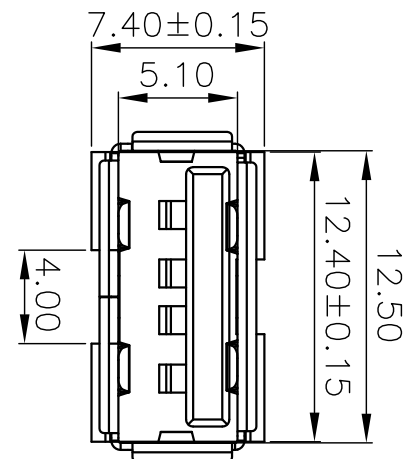
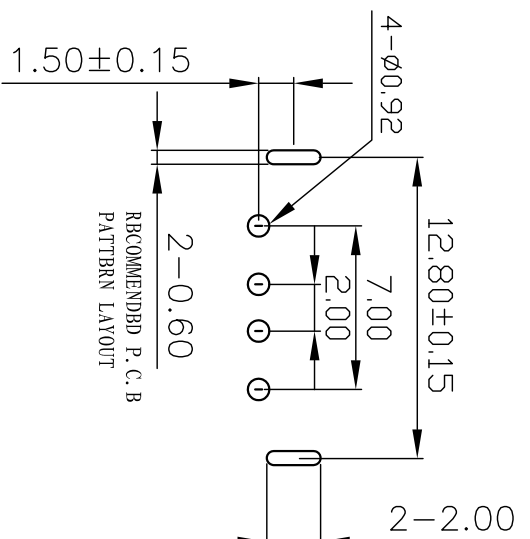
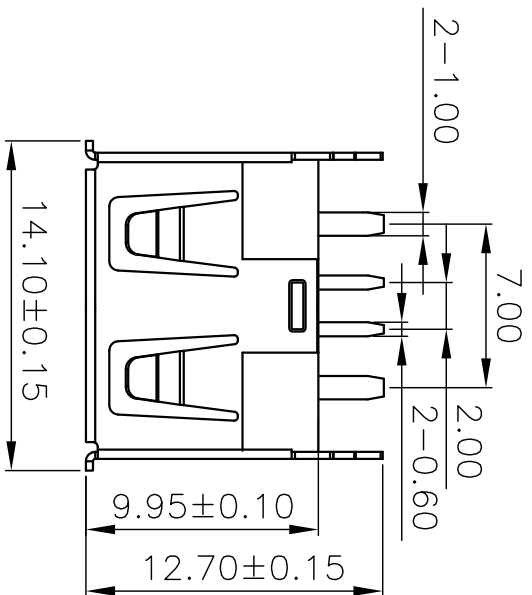


# Parts Drawing

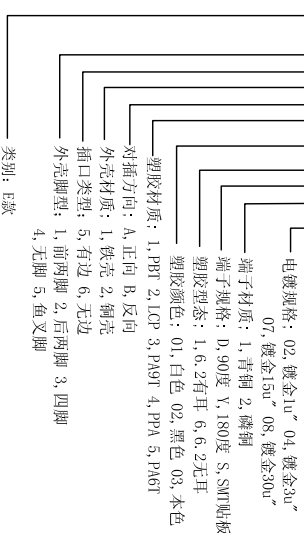


Note:

1. Material:
  - 1.1, Housing: High temperature thermoplastic with/black G/F, UL94v-0
  - 1.2, Contact: copper alloy, t=0.25mm
  - 1.3, Shell: copper/Ferroalloy alloy, t=0.30mm
2. Specification:
  - 2.1, Current rating: 1.5A Max.
  - 2.2, Dielectric withstanding voltage: 100 V(ac) for 1 min.
  - 2.3, Contact resistance: 30 mΩ Max.
  - 2.4, Insulation resistance: 100 MΩ Min.
  - 2.5, Total mating force: 3.57 Kgf Max.
  - 2.6, Total unmating force: 1.0 Kgf Min.
3. Finish:
  - 3.1, Contact: Plated Gold in Mating Area: Tin On Solder Tallis
  - Shell: Nickel Plating
4. Environmental:
  - 4.1, Temperature range: -55°C~85°C

PART ON:

919-55XAXXX1Y2XX



1	919-551A1011Y102	5
2		6
3		7
4		8

**深圳市精拓金电子有限公司**

DRAWN	TITLE	PART NO.
CHECKED	USB AP 大电流10.0短体	SEE PART ON
APPROVED	180° 鱼叉脚有边	DRAWING NO. R919551A1011Y102

TOLERANCE	SCALE	SHEET	SIZE	REV.
.XXX±.10, .XX±.25, .X±.38, ANG±5°	1:1	1 OF 1	A4	X1

REVISIONS			
SYM	ECN No.	MODIFICATION	DATE ISSUED