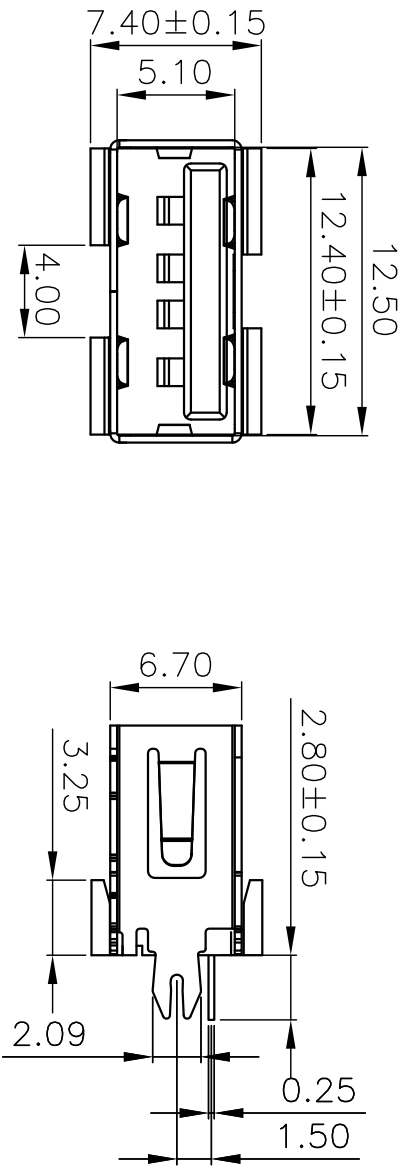
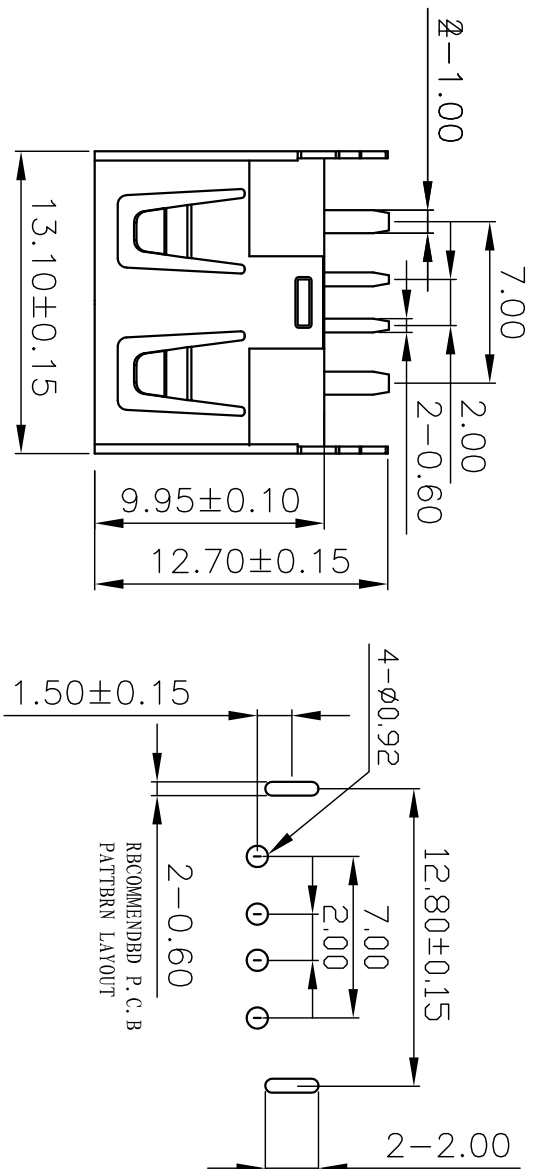


RoHS

Parts Drawing

REVISIONS			DATE	ISSUED
SYM	ECN No.	MODIFICATION		



- Note:
- Material:
 - Housing: High temperature thermoplastic with/black G/F, UL94v-0
 - Contact: copper alloy, t=0.25mm
 - Shell: copper/Ferroalloy alloy, t=0.30mm
 - Specification:
 - Current rating: 1.5A Max.
 - Dielectric withstanding voltage: 100 V(ac) for 1 min.
 - Contact resistance: 30 mΩ Max.
 - Insulation resistance: 100 MΩ Min.
 - Total mating force: 3.57 Kgf Max.
 - Total unmating force: 1.0 Kgf Min.
 - Finish:
 - Contact: Plated Gold in Mating Area: Tin On Solder Tails
 - Environmental:
 - Temperature range: -55°C~85°C

- PART ON: 919-56XXXXX1Y2XX
- 电镀规格: 02. 镀金1u" 04. 镀金3u" 07. 镀金150" 08. 镀金300"
 - 端子规格: 1. 青铜 2. 磷铜
 - 塑胶形态: 1. 6, 2有耳 6, 6, 2无耳
 - 塑胶颜色: 01. 白色 02. 黑色 03. 本色
 - 塑胶材质: 1. PBT 2. LCP 3. PA9T 4. PPA 5. PA6T
 - 对插方向: A. 正向 B. 反向
 - 外壳材质: 1. 铁壳 2. 铜壳
 - 插口类型: 5. 有边 6. 无边
 - 外壳脚型: 1. 前脚 2. 后脚 3. 四脚 4. 无脚 5. 鱼叉脚
- 类别: E款

1	919-561A1011Y102	5
2		6
3		7
4		8

DRAWN	深圳拓金电子有限公司	
CHECKED	TITLE	PART NO.
APPROVED	USB AF 大电流10.0短体 180° 鱼叉脚无边	SEE PART ON
	TOLERANCE	DRAWING NO.
	.XXX±.10, .XX±.25, .X±.38, ANG±5°	R919561A1011Y102
	UNIT	SCALE
	mm	1:1
		1 OF 1
		A4
		REV. X1

1 2 3 4 5 A B C D E