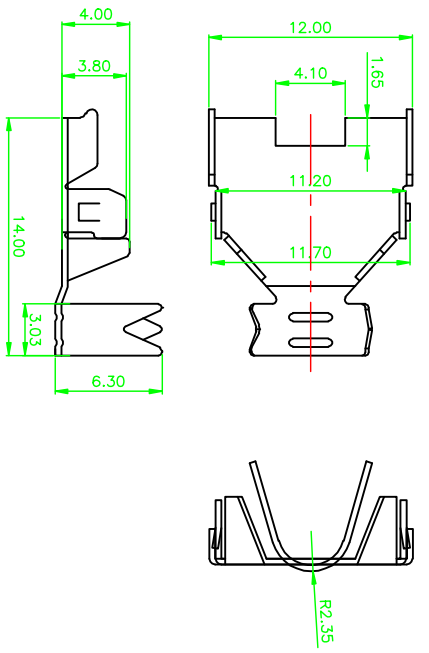
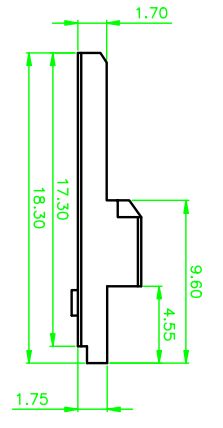
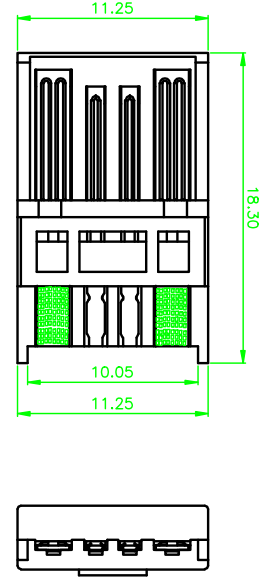
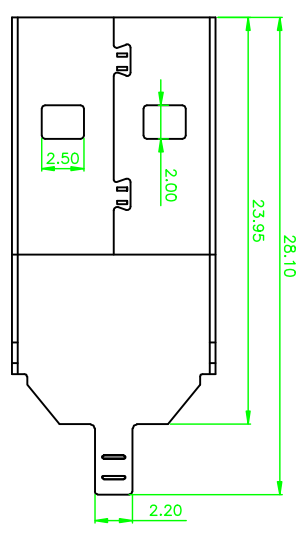
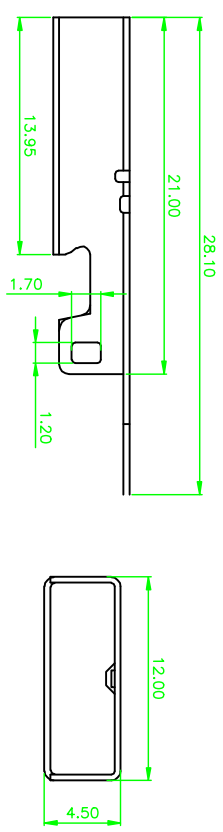


REVISIONS			
SYM	ECN No.	MODIFICATION	DATE ISSUED



- Note:
- Material:
    - Housing: High temperature thermoplastic with/black g.f. UL94v-0
    - Contact: copper alloy, t=0.25mm
    - Shell: copper/Ferroalloy alloy, t=0.30mm
  - Specification:
    - Current rating: 3A Max.
    - Dielectric withstanding voltage: 100 V(ac) for 1 min.
    - Contact resistance: 30 mΩ Max.
    - Insulation resistance: 100 MΩ Min.
    - Total mating force: 3.57 Kgf Max.
    - Total unmating force: 1.0 Kgf Min.
  - Finish:
    - Contact: Plated Gold in Mating Area; Tin On Solder Tolls
    - Shell: Nickel Plating
  - Environmental:
    - Temperature range: -55°C~85°C

**圳** 深圳市精拓金电子有限公司

DRAWN	TITLE	PART NO.	SCALE	SHEET	SIZE	REV.
CHECKED	<b>USB AM 大电流三件套</b>	---	1:1	1 OF 1	A4	X1
APPROVED	28, 10mm	DRAWING NO.				
	TOLERANCE					
	<b>±0.04, ±0.03, ±0.15, ±0.25, ANG±1°</b>					
	UNIT					
	mm					
	3rd ANGLE PROJECTION					