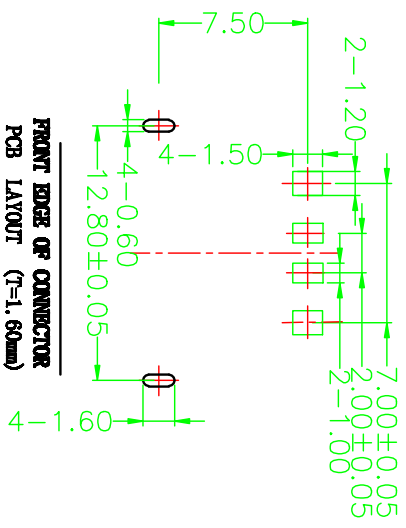
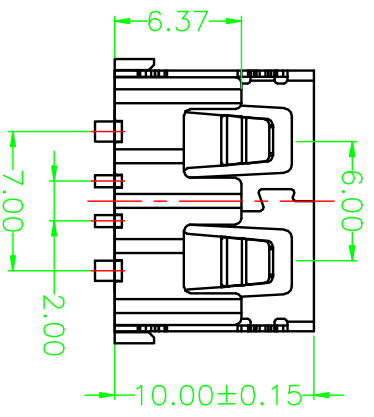
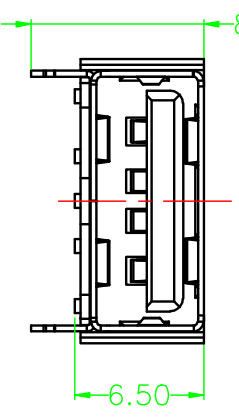
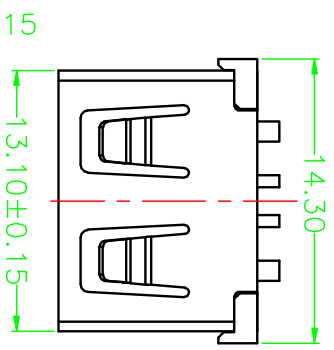


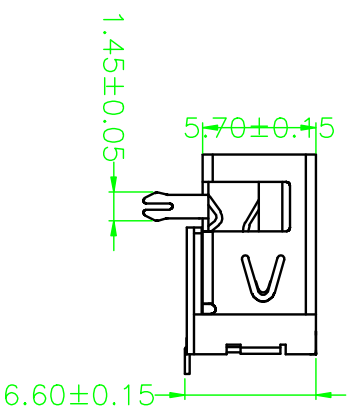
RoHS

Parts Drawing

REVISIONS				
SYM	ECN No.	MODIFICATION	DATE	ISSUED



FRONT EDGE OF CONNECTOR PCB LAYOUT (T=1.60mm)



1	918-361A1017D211	1
2		2
3		3
4		4

- Note:
- Material:
 - Housing: High temperature thermoplastic with/black g.f.Ul94v-0
 - Contact: copper alloy,t=0.25mm
 - Shell: copper/Ferrodilloy alloy,t=0.30mm
 - Specification:
 - Current rating:1.5A Max.
 - Dielectric withstanding voltage: 100 V(ac) for 1 min.
 - Contact resistance: 30 mΩ Max.
 - Insulation resistance: 100 MΩ Min.
 - Total mating force: 3.57 Kgf Max.
 - Total unmating force: 1.0 Kgf Min.
 - Finish:
 - Contact: Plated Gold in Mating Area: Tin On Solder Tails
 - Shell: Nickel Plating
 - Environmental:
 - Temperature range: -55°C~85°C

- PART ON:
- 918-35XXXXXXDXXX
- 电镀制程: 11.镀金1μ 13.镀金5μ 15.镀金15μ 16.镀金50μ
 - 端子材料: 1.黄铜 2.磷铜
 - 端子规格: 1.80度 1.180度 3.SMT板模
 - 塑胶公差: 2.6.5符合 7.6.5符合
 - 塑胶颜色: 01.白色 02.黑色 03.本色
 - 塑胶材质: 1.PBT 2.LCP 3.PBT 4.PPA 5.PA6T
 - 表面处理: 4.三价铬 5.黑油
 - 外壳材料: 1.塑胶 2.铜壳
 - 接口类型: 5.有边 6.无边
 - 外形规格: 1.前两脚 2.后两脚 3.四脚 4.无脚
 - 类型: 02

DRAWN		深圳拓金电子有限公司	
CHECKED		TITLE	USB AF 大电流前两脚有边
APPROVED		HIG.	5mm
		TOLERANCE	.XXX±.10, .XX±.25, .X±.50, ANG±5°
		SCALE	1:1
		SHEET	1 OF 1
		SIZE	A4
		REV.	X1
		DRAWING NO.	R918361A1017D211
		PART NO.	SEE PART ON



3rd ANGLE PROJECTION

UNIT mm

A B C D E

1 2 3 4 5