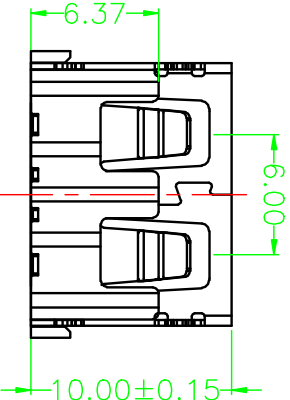
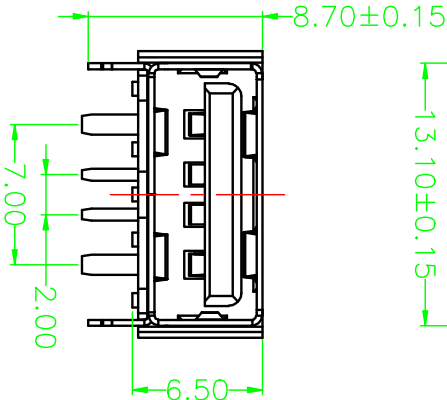
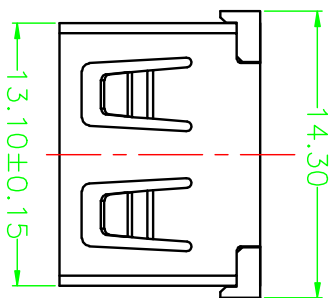


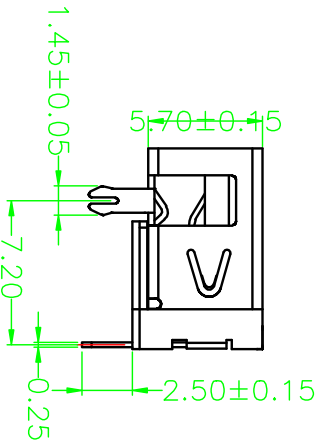
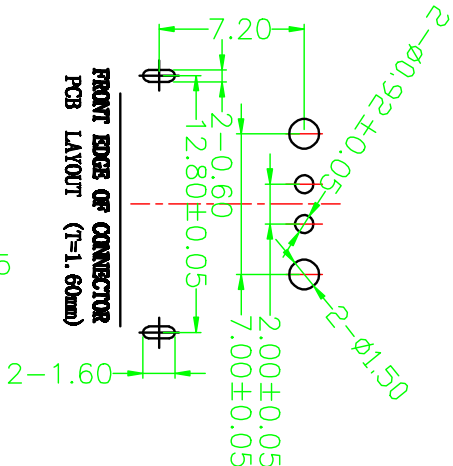
RoHS

Parts Drawing

REVISIONS			
SYM	ECN No.	MODIFICATION	DATE ISSUED



FRONT EDGE OF CONNECTOR PCB LAYOUT (T=1.60mm)



1	918-161A1017D211	1
2		2
3		3
4		4

Note:

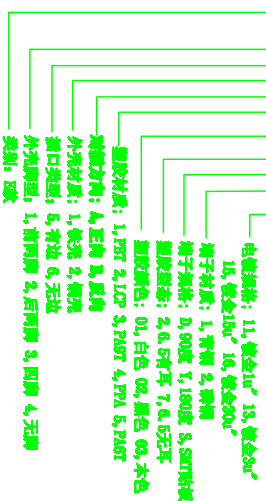
- Material:
 - Housing: High temperature thermoplastic with/black g.f.f. UL94v-0
 - Contact: copper alloy, t=0.25mm
 - Shell: copper/Ferroalloy alloy, t=0.30mm
- Specification:
 - Current rating: 1.5A Max.
 - Dielectric withstanding voltage: 100 V(ac) for 1 min.
 - Contact resistance: 30 m Ω Max.
 - Insulation resistance: 100 M Ω Min.
 - Total mating force: 3.57 Kgf Max.
 - Total unmating force: 1.0 Kgf Min.
- Finish:
 - Contact: Plated Gold in Mating Area; Tin On Solder Tails

4.Environmental:

- Temperature range: -55°C~85°C

PART ON:

918-15XXXXXXDXXX



深圳市精拓金电子有限公司

DRAWN
CHECKED
APPROVED

TITLE
USB AF 大电流前两脚有边
H6. 5mm

PART NO. SEE PART ON
DRAWING NO. R918161A1017D211

UNIT
mm

TOLERANCE
XXX±.10, XX±.25, X±.38, ANG±.5°

SCALE SHEET SIZE REV.
1:1 1 OF 1 A4 X1

A B C D E

1 2 3 4 5