

注：本板为禁止传输、复制、编辑文件，以及利用其内容进行交流

REV	ECN NO.	CONTENT	CHK	DATE
-----	---------	---------	-----	------

NOTES1:

- UL Standard
- 1.Rating voltage/current: 300V/10A
- 2.withstanding voltage: AC2000V/1Min
- 3.Torque value: M2.5, 3.54Lb/in
- 4.Wire range: 24~12AWG

IEC Standard

1. Pollution Degree	3	2	2
Overvoltage Category	III	III	II
Rate Impulse Voltage(kV)	/	/	/
Rate Voltage(V)	/	250V	/
Rate Current(A)	/	18A	/

- 2. Torque value: M2.5, 0.4Nm
- 3.wire range: 1.0-2.5mm²

NOTES2:

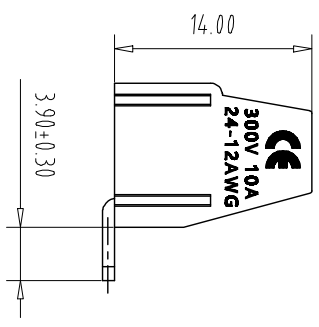
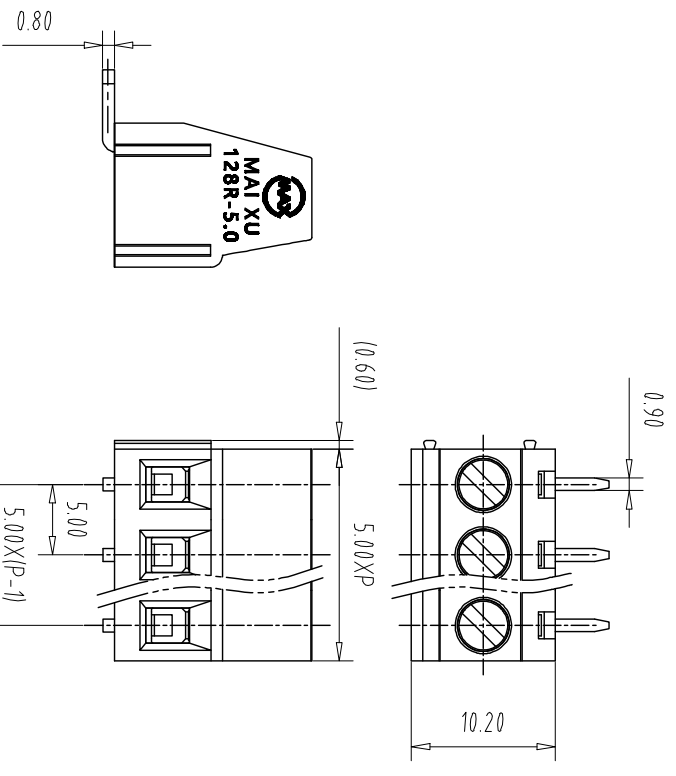
- 1.Housing: PA66(UL94V-0)
- 2.Solder Pin: Brass(Sn Plated)
- 3.Cage: Brass(Ni Plated)
- 4.Screw: Steel(M2.5,Zn Plated)

NOTES3:

- 1.Pitch: 5.0mm Poles: 02-24P
- 2.Stripping length: 6-7mm
- 3.Operating temperature: -40℃~+105℃
- 4.RoHS Compliance

How to order

MX128R - 5.0 - XXP
 Factory poles
 Code



Pitch Range In mm	Nominal Dimension In mm	Range
-------------------	-------------------------	-------

Over 6	Over 10	Over 30	Over 60	Over 100	Over 150	0.1/10
TO 6	TO 10	TO 30	TO 60	TO 100	TO 150	∠
±0.15	±0.20	±0.30	±0.50	±0.70	±1.00	±2°

ITEM	NAME OF PART	NO. OF PART	Q'TY	MATERIAL	NOTE
DWG	CHK	DATE	SCALE	SHEET/OF	1/1
APP	DATE		1:1	A4	⊕
CIXI MAIXU ELECTRONICS CO.,LTD			NAME		
慈溪迈旭电子有限公司			MX128R-5.0-XXP		
DWGNO.					