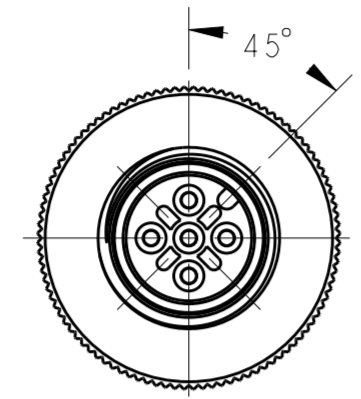
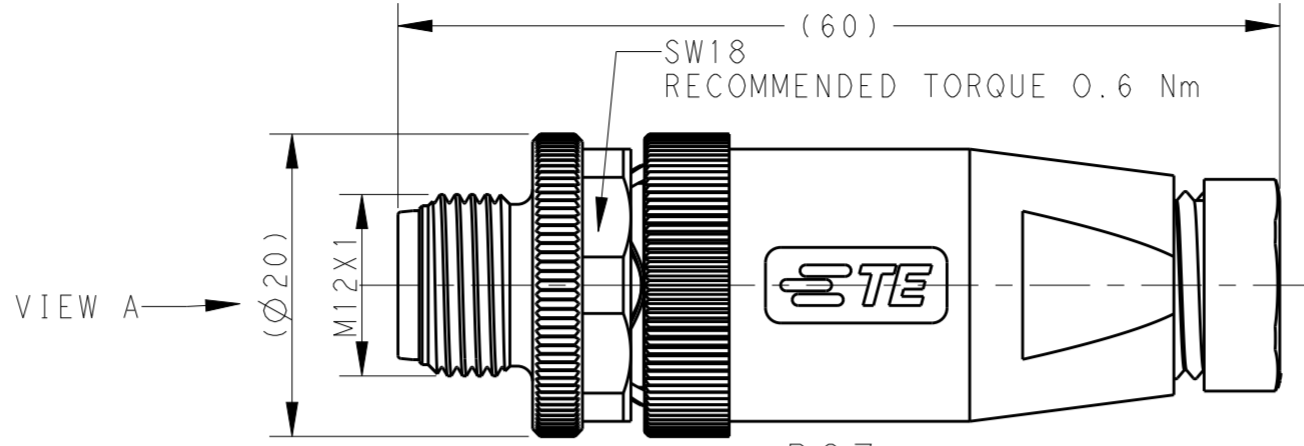


THIS DRAWING IS UNPUBLISHED. RELEASED FOR PUBLICATION 20
 © COPYRIGHT 20 BY - ALL RIGHTS RESERVED.

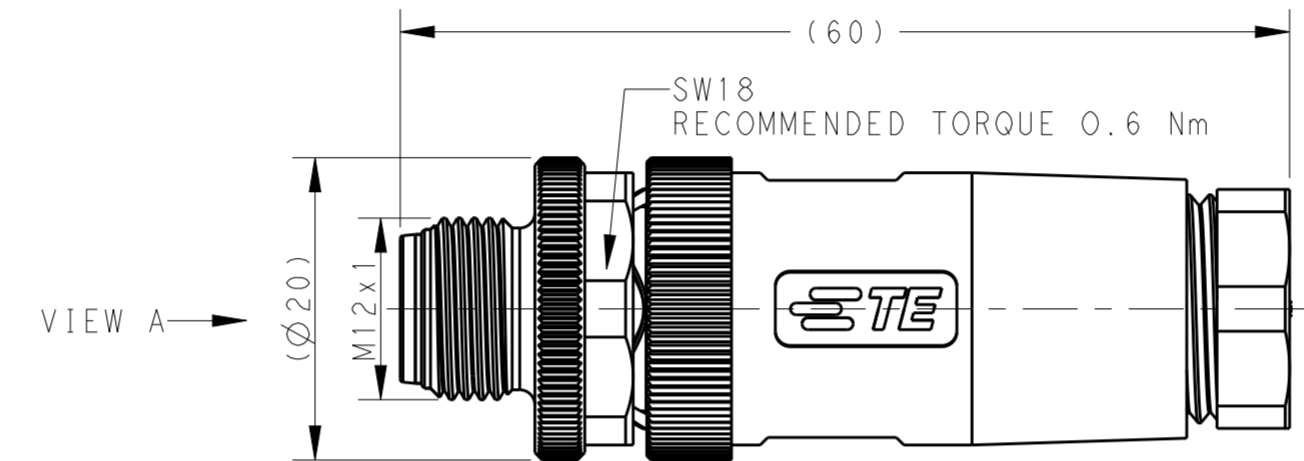
| REVISIONS | | | | | |
|-----------|-----|-----------------------------|-----------|-----|------|
| P | LTR | DESCRIPTION | DATE | DWN | APVD |
| A | | INITIAL RELEASE | 29DEC2015 | NP | XX |
| A1 | | ECR-15-012625 | 29DEC2015 | NP | XX |
| A2 | | ECR-15-018715 ADD 114 SEPC. | 01JAN2016 | NP | XX |
| A3 | | ECR-20-012708 ADD PG9 MODEL | 16SEP2020 | S.C | C.W |



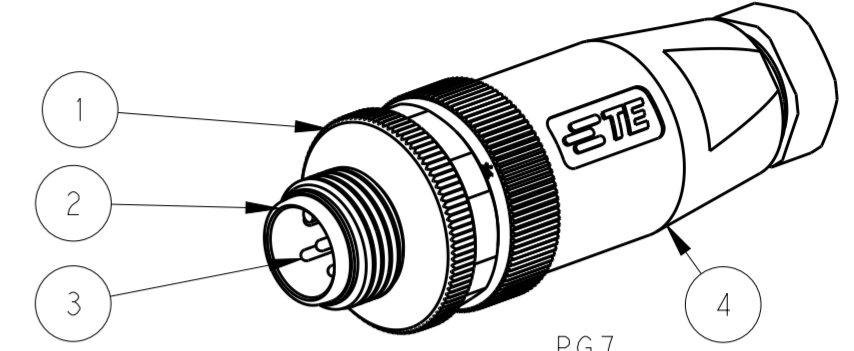
VIEW A
DETAIL SEE TABLE 1



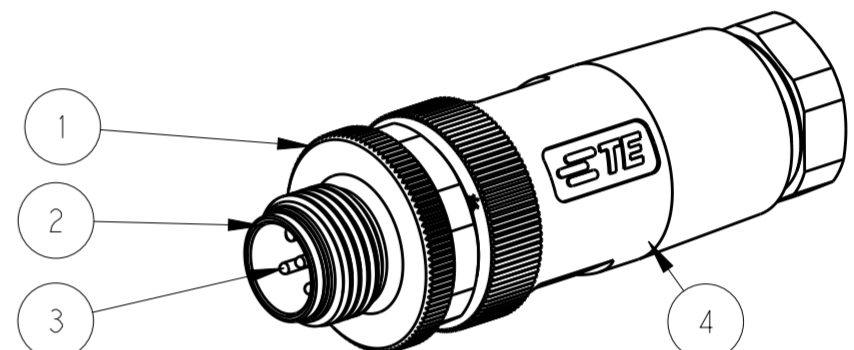
PG7
SCALE 2:1



PG9
SCALE 2:1



PG7
SCALE 3:2

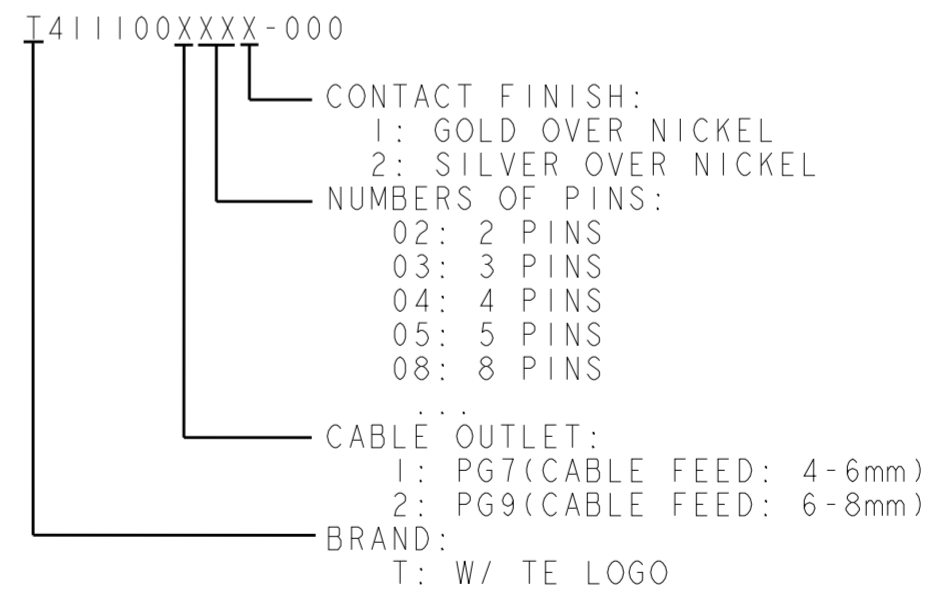


PG9
SCALE 3:2

| TECHNICAL DATA | T411100X02X-000 | T411100X03X-000 | T411100X04X-000 | T411100X05X-000 | T411100X08X-000 |
|-----------------------|-----------------|-----------------|-----------------|-----------------|-----------------|
| RATED VOLTAGE | 250V | 250V | 250V | 60V | 30V |
| RATED CURRENT | 4A | 4A | 4A | 4A | 2A |
| POLLUTION DEGREE | 3 | 3 | 3 | 3 | 3 |
| OVERVOLTAGE CATEGORY | II | II | II | II | II |
| MATERIAL GROUP | II | II | II | II | II |
| CONTACT RESISTANCE | ≤8mΩ | ≤8mΩ | ≤8mΩ | ≤8mΩ | ≤8mΩ |
| INSULATION RESISTANCE | >100MΩ | >100MΩ | >100MΩ | >100MΩ | >100MΩ |
| DEGREE OF PROTECTION | IP67 | IP67 | IP67 | IP67 | IP67 |
| OPERATION TEMPERATURE | -40~85°C | -40~85°C | -40~85°C | -40~85°C | -40~85°C |

NOTE:

- MATERIAL:
 ITEM NO.1: NUT -BRASS
 ITEM NO.2: HOUSING -PA
 ITEM NO.3: CONTACT -BRASS
 ITEM NO.4: HOUSING BODY: -PBT+GF
- CONTACT FINISH:
 GOLD OVER NICKEL OR SILVER OVER NICKEL
- CABLE WIRES:
 18AWG/0.75mm² Max. FOR 2-5 PINS
 20AWG/0.50mm² Max. FOR 8 PINS
- ALLDIMENSIONS ARE FOR NOMINAL REFERENCE ONLY UNLESS OTHERWISE STATED
- PACKAGEING: IPIECE IN A BAG
- PN INFORMATION



| TABLE 1 PIN ARRANGEMENT A-CODE | | |
|--------------------------------|-----------------|-----------------|
| T411100X02X-000 | T411100X03X-000 | T411100X04X-000 |
| | | |
| | | |
| | | |

| | |
|-----------------|------------------------|
| T4111002081-000 | RPC-M12-MS-8CON-PG9-MU |
| T4111002082-000 | RPC-M12-MS-8CON-PG9-M |
| T4111001081-000 | RPC-M12-MS-8CON-PG7-MU |
| T4111001082-000 | RPC-M12-MS-8CON-PG7-M |
| T4111002051-000 | RPC-M12-MS-5CON-PG9-MU |
| T4111001051-000 | RPC-M12-MS-5CON-PG7-MU |
| T4111002052-000 | RPC-M12-MS-5CON-PG9-M |
| T4111001052-000 | RPC-M12-MS-5CON-PG7-M |
| T4111002041-000 | RPC-M12-MS-4CON-PG9-MU |
| T4111001041-000 | RPC-M12-MS-4CON-PG7-MU |
| T4111002042-000 | RPC-M12-MS-4CON-PG9-M |
| T4111001042-000 | RPC-M12-MS-4CON-PG7-M |
| T4111002031-000 | RPC-M12-MS-3CON-PG9-MU |
| T4111001031-000 | RPC-M12-MS-3CON-PG7-MU |
| T4111002032-000 | RPC-M12-MS-3CON-PG9-M |
| T4111001032-000 | RPC-M12-MS-3CON-PG7-M |
| T4111002021-000 | RPC-M12-MS-2CON-PG9-MU |
| T4111001021-000 | RPC-M12-MS-2CON-PG7-MU |
| T4111002022-000 | RPC-M12-MS-2CON-PG9-M |
| T4111001022-000 | RPC-M12-MS-2CON-PG7-M |
| TE PN | TYPE |

| | | | | | | | | | | | | | | | | | | |
|--|------|--|---|-------|------|-------|------|-------|---|-------|---|--------|---|--------|---|-----------------------------|---------|--|
| THIS DRAWING IS A CONTROLLED DOCUMENT. | | DWN HAO WANG 08OCT2015 | TE Connectivity | | | | | | | | | | | | | | | |
| | | CHK KOBBY ZHAO 08OCT2015 | | | | | | | | | | | | | | | | |
| | | APVD XIANG XU 08OCT2015 | NAME M12 MALE, A CODE, STRAIGHT UNSHIELDED CONNECTOR SCREW TERMINAL | | | | | | | | | | | | | | | |
| DIMENSIONS: mm | | TOLERANCES UNLESS OTHERWISE SPECIFIED: | PRODUCT SPEC 108-106140 | | | | | | | | | | | | | | | |
| <table border="1"> <tr><td>0 PLC</td><td>±0.2</td></tr> <tr><td>1 PLC</td><td>±0.2</td></tr> <tr><td>2 PLC</td><td>±0.2</td></tr> <tr><td>3 PLC</td><td>±</td></tr> <tr><td>4 PLC</td><td>±</td></tr> <tr><td>ANGLES</td><td>±</td></tr> <tr><td>FINISH</td><td>±</td></tr> </table> | | 0 PLC | ±0.2 | 1 PLC | ±0.2 | 2 PLC | ±0.2 | 3 PLC | ± | 4 PLC | ± | ANGLES | ± | FINISH | ± | APPLICATION SPEC 114-137144 | SIZE A2 | |
| 0 PLC | ±0.2 | | | | | | | | | | | | | | | | | |
| 1 PLC | ±0.2 | | | | | | | | | | | | | | | | | |
| 2 PLC | ±0.2 | | | | | | | | | | | | | | | | | |
| 3 PLC | ± | | | | | | | | | | | | | | | | | |
| 4 PLC | ± | | | | | | | | | | | | | | | | | |
| ANGLES | ± | | | | | | | | | | | | | | | | | |
| FINISH | ± | | | | | | | | | | | | | | | | | |
| MATERIAL | | WEIGHT | DRAWING NO. C-T411100XXXX000 | | | | | | | | | | | | | | | |
| | | Customer Drawing | RESTRICTED TO | | | | | | | | | | | | | | | |
| | | SCALE 1:1 | SHEET 1 OF 1 REV A3 | | | | | | | | | | | | | | | |