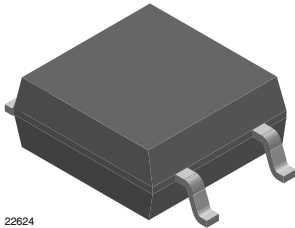
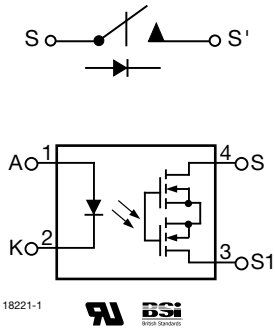


1 Form A Solid-State Relay



22624



18221-1



FEATURES

- Current limit protection
- Isolation test voltage 3750 V_{RMS}
- Typical R_{ON} 28 Ω
- Load voltage 350 V
- Load current 120 mA
- High surge capability
- Clean bounce free switching
- Low power consumption
- SMD lead available on tape and reel
- Equivalent to CPC1035N
- Material categorization: For definitions of compliance please see www.vishay.com/doc?99912



RoHS
COMPLIANT

DESCRIPTION

The LH1546AEF (4 pin SOP) is robust, ideal for telecom and ground fault applications. It is an SPST normally open switch (1 form A) that replaces electromechanical relays in many applications. It is constructed using a GaAs LED for actuation control and MOSFETs for the switch output. In addition, it employs current-limiting circuitry which meets lightning surge testing as per ANSI/TIA-968-B and other regulatory voltage surge requirements when overvoltage protection is provided.

APPLICATIONS

- General telecom switching
 - On/off hook control
 - Ring relay
 - Dial pulse
 - Ground start
 - Ground fault protection
- Instrumentation
- Industrial controls

Note

- See “solid-state relays” (application note 56)

AGENCY APPROVALS

- UL1577, file no. E52744 system code O
- BSI/BABT certification no. 8500 issue 2

| ORDERING INFORMATION | | | | | | | | | | | |
|------------------------------------|---|---|---|---|---|----------------------|--------------------|---|------------------|---|-------|
| L | H | 1 | 5 | 4 | 6 | A | # | # | T | # | SOP-# |
| PART NUMBER | | | | | | ELECTR. VARIATION | PACKAGE CONFIG. | | TAPE AND REEL | | |
| PACKAGE | | | | | | UL, BSI | | | | | |
| SOP-4, tape and reel (T2 rotation) | | | | | | LH1546AEFT2 | | | | | |
| SOP-4, tape and reel | | | | | | LH1546AEFTR | | | | | |
| SOP-4, tubes | | | | | | LH1546AEF | | | | | |



| ABSOLUTE MAXIMUM RATINGS ($T_{amb} = 25\text{ }^{\circ}\text{C}$, unless otherwise specified) | | | | |
|---|--|------------|----------------|--------------------|
| PARAMETER | TEST CONDITION | SYMBOL | VALUE | UNIT |
| INPUT | | | | |
| LED continuous forward current | | I_F | 50 | mA |
| LED reverse voltage | $I_R \leq 10\text{ }\mu\text{A}$ | V_R | 6 | V |
| OUTPUT | | | | |
| DC or peak AC load voltage | $I_L \leq 50\text{ }\mu\text{A}$ | V_L | 350 | V |
| Continuous DC load current at 25 °C, bidirectional | | I_L | 120 | mA |
| SSR | | | | |
| SSR output power dissipation (continuous) | | P_{diss} | 550 | mW |
| Ambient temperature range | | T_{amb} | - 40 to + 85 | $^{\circ}\text{C}$ |
| Storage temperature range | | T_{stg} | - 40 to + 150 | $^{\circ}\text{C}$ |
| Soldering temperature ⁽¹⁾ | $t = 10\text{ s max.}$ | T_{sld} | 260 | $^{\circ}\text{C}$ |
| Isolation test voltage | $t = 1\text{ min}$ | V_{ISO} | 3750 | V_{RMS} |
| Isolation resistance | $V_{IO} = 500\text{ V}, T_{amb} = 25\text{ }^{\circ}\text{C}$ | R_{IO} | $\geq 10^{12}$ | Ω |
| | $V_{IO} = 500\text{ V}, T_{amb} = 100\text{ }^{\circ}\text{C}$ | R_{IO} | $\geq 10^{11}$ | Ω |

Notes

- Stresses in excess of the absolute maximum ratings can cause permanent damage to the device. Functional operation of the device is not implied at these or any other conditions in excess of those given in the operational sections of this document. Exposure to absolute maximum ratings for extended periods of the time can adversely affect reliability.

⁽¹⁾ Refer to reflow profile for soldering conditions for surface mounted devices.

| ELECTRICAL CHARACTERISTICS ($T_{amb} = 25\text{ }^{\circ}\text{C}$, unless otherwise specified) | | | | | | |
|---|--|-------------|------|------|------|------------------|
| PARAMETER | TEST CONDITION | SYMBOL | MIN. | TYP. | MAX. | UNIT |
| INPUT | | | | | | |
| LED forward current, switch turn-on | $I_L = 100\text{ mA}, t = 10\text{ ms}$ | I_{Fon} | | 1.1 | 2 | mA |
| LED forward current, switch turn-off | $V_L = \pm 300\text{ V}$ | I_{Foff} | 0.2 | 0.6 | | mA |
| LED forward voltage | $I_F = 10\text{ mA}$ | V_F | 1 | 1.18 | 1.45 | V |
| OUTPUT | | | | | | |
| On-resistance, AC/DC: pin 3 (\pm) to 4 (\pm) | $I_F = 5\text{ mA}, I_L = 50\text{ mA}$ | R_{ON} | | 28 | 35 | Ω |
| Off-resistance | $I_F = 0\text{ mA}, V_L = \pm 100\text{ V}$ | R_{OFF} | 0.5 | 5000 | | $\text{G}\Omega$ |
| Off-state leakage current | $I_F = 0\text{ mA}, V_L = \pm 100\text{ V}$ | I_O | | 0.32 | 200 | nA |
| | $I_F = 0\text{ mA}, V_L = \pm 350\text{ V}$ | I_O | | | 1 | nA |
| Output capacitance pin 3 to 4 | $I_F = 0\text{ mA}, V_L = 1\text{ V}$ | C_O | | 55 | | pF |
| | $I_F = 0\text{ mA}, V_L = 50\text{ V}$ | C_O | | 10 | | pF |
| Current limit | $I_F = 5\text{ mA}, t = 5\text{ ms}, V_L = \pm 6\text{ V}$ | I_{limit} | 170 | 210 | 250 | mA |
| TRANSFER | | | | | | |
| Capacitance (input to output) | $V_{ISO} = 1\text{ V}$ | C_{IO} | | 0.6 | | pF |

Note

- Minimum and maximum values are testing requirements. Typical values are characteristics of the device and are the result of engineering evaluations. Typical values are for information only and are not part of the testing requirements.

| SWITCHING CHARACTERISTICS ($T_{amb} = 25\text{ }^{\circ}\text{C}$, unless otherwise specified) | | | | | | |
|--|---|-----------|------|------|------|------|
| PARAMETER | TEST CONDITION | SYMBOL | MIN. | TYP. | MAX. | UNIT |
| Turn-on time | $I_F = 5\text{ mA}, I_L = 50\text{ mA}$ | t_{on} | | 2 | 3 | ms |
| Turn-off time | $I_F = 5\text{ mA}, I_L = 50\text{ mA}$ | t_{off} | | 0.08 | 3 | ms |



TYPICAL CHARACTERISTICS (T_{amb} = 25 °C, unless otherwise specified)

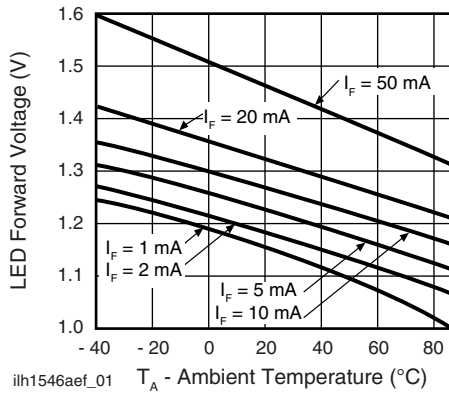


Fig. 1 - LED Voltage vs. Temperature

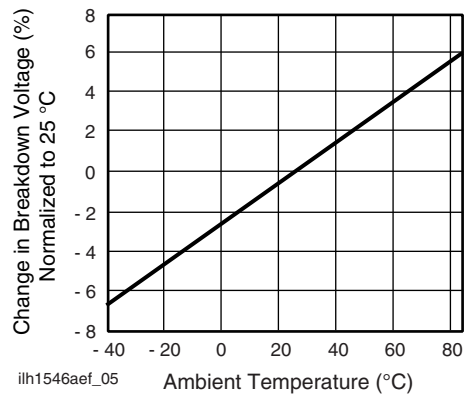


Fig. 4 - Switch Breakdown Voltage vs. Temperature

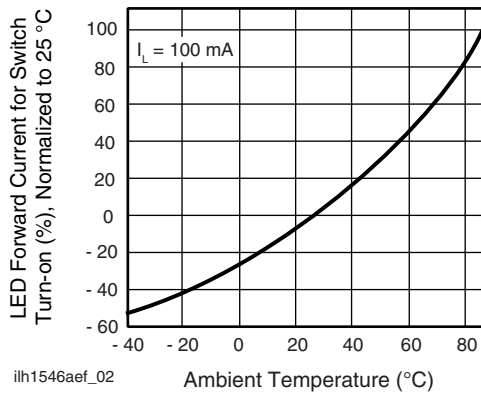


Fig. 2 - LED Current for Switch Turn-on vs. Temperature

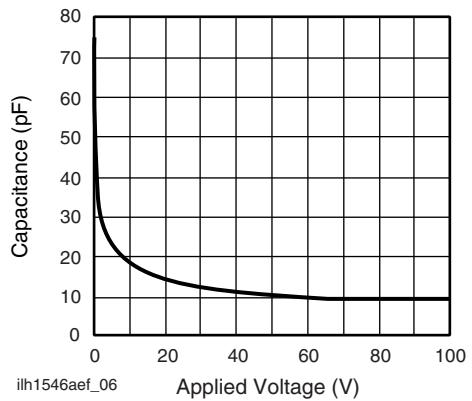


Fig. 5 - Switch Capacitance vs. Applied Voltage

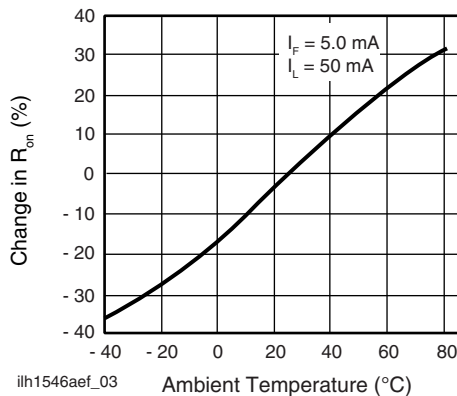


Fig. 3 - On-Resistance vs. Temperature

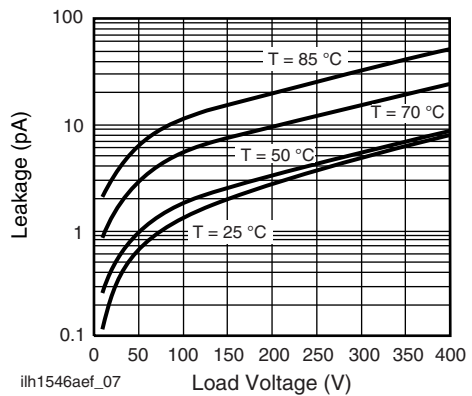


Fig. 6 - Leakage Current vs. Applied Voltage

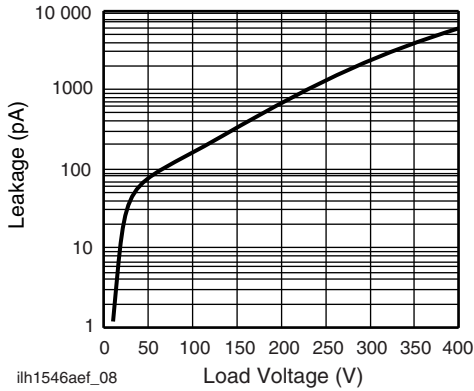


Fig. 7 - Leakage Current vs. Applied Voltage

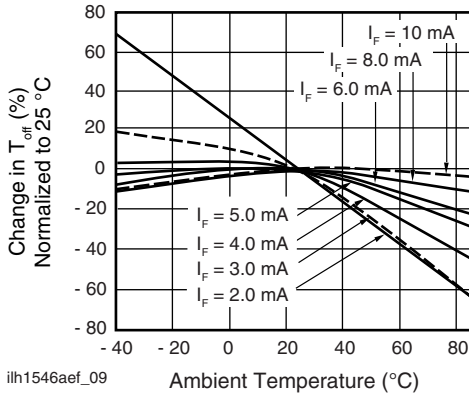


Fig. 8 - Turn-off Time vs. Temperature

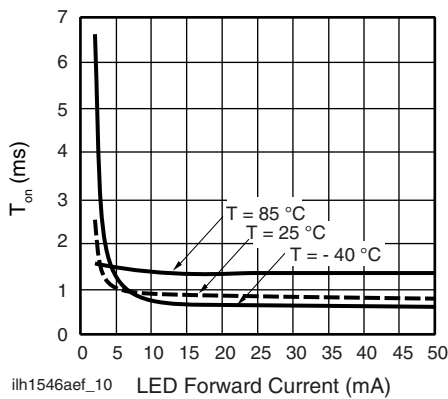
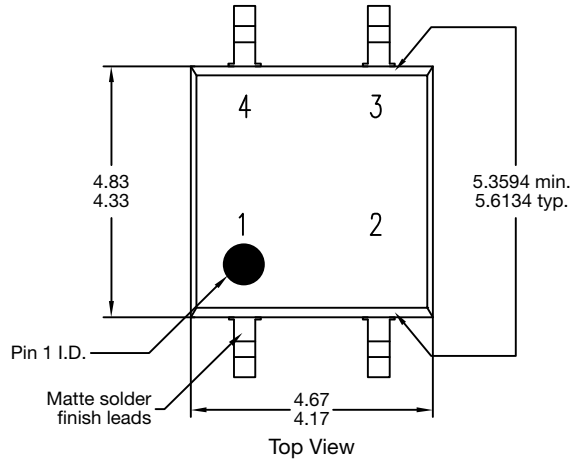
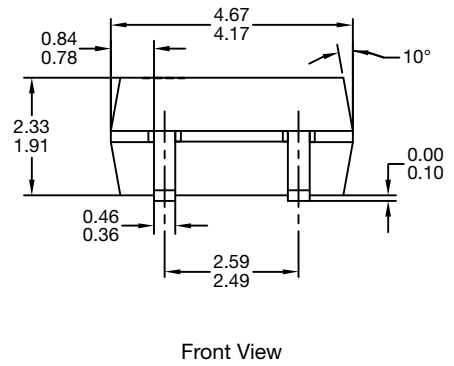
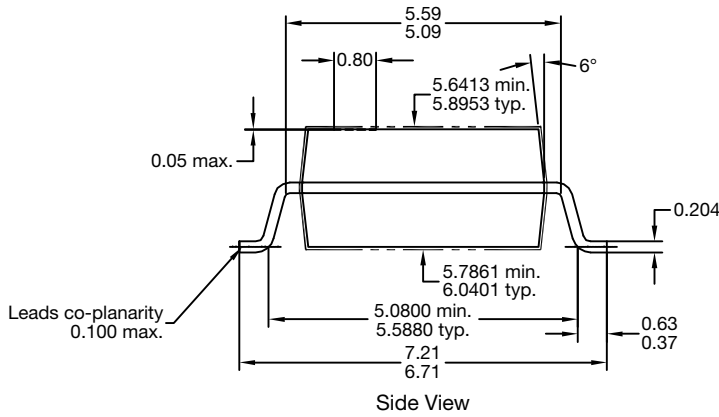


Fig. 9 - Turn-on Time vs. LED Current

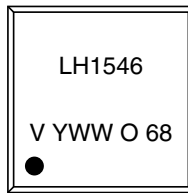


PACKAGE DIMENSIONS in millimeters



22625-1

PACKAGE MARKING (example)



Note

- Tape and reel suffix (TR) is not part of the package marking.



TAPE ANR REEL DIMENSIONS in millimeters

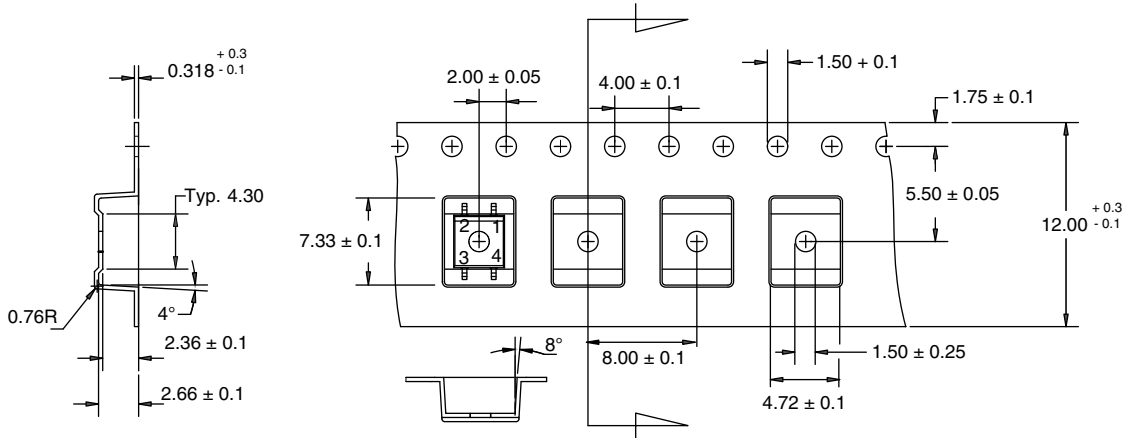


Fig. 10 - LH1546AEFTR, 2000 per Reel

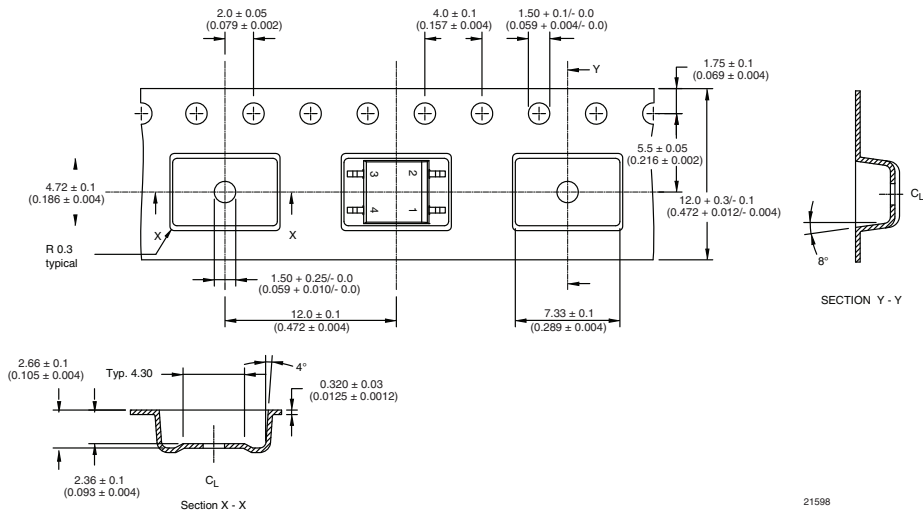


Fig. 11 - LH1546AEFT2, T2 Rotation, 2000 per Reel



Disclaimer

ALL PRODUCT, PRODUCT SPECIFICATIONS AND DATA ARE SUBJECT TO CHANGE WITHOUT NOTICE TO IMPROVE RELIABILITY, FUNCTION OR DESIGN OR OTHERWISE.

Vishay Intertechnology, Inc., its affiliates, agents, and employees, and all persons acting on its or their behalf (collectively, "Vishay"), disclaim any and all liability for any errors, inaccuracies or incompleteness contained in any datasheet or in any other disclosure relating to any product.

Vishay makes no warranty, representation or guarantee regarding the suitability of the products for any particular purpose or the continuing production of any product. To the maximum extent permitted by applicable law, Vishay disclaims (i) any and all liability arising out of the application or use of any product, (ii) any and all liability, including without limitation special, consequential or incidental damages, and (iii) any and all implied warranties, including warranties of fitness for particular purpose, non-infringement and merchantability.

Statements regarding the suitability of products for certain types of applications are based on Vishay's knowledge of typical requirements that are often placed on Vishay products in generic applications. Such statements are not binding statements about the suitability of products for a particular application. It is the customer's responsibility to validate that a particular product with the properties described in the product specification is suitable for use in a particular application. Parameters provided in datasheets and / or specifications may vary in different applications and performance may vary over time. All operating parameters, including typical parameters, must be validated for each customer application by the customer's technical experts. Product specifications do not expand or otherwise modify Vishay's terms and conditions of purchase, including but not limited to the warranty expressed therein.

Except as expressly indicated in writing, Vishay products are not designed for use in medical, life-saving, or life-sustaining applications or for any other application in which the failure of the Vishay product could result in personal injury or death. Customers using or selling Vishay products not expressly indicated for use in such applications do so at their own risk. Please contact authorized Vishay personnel to obtain written terms and conditions regarding products designed for such applications.

No license, express or implied, by estoppel or otherwise, to any intellectual property rights is granted by this document or by any conduct of Vishay. Product names and markings noted herein may be trademarks of their respective owners.