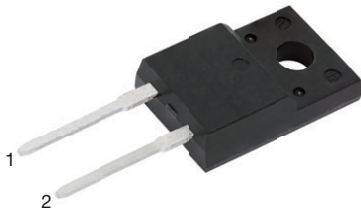


## Hyperfast Rectifier, 8 A FRED Pt<sup>®</sup>


**2L TO-220 FullPAK**


### FEATURES

- Hyperfast recovery time, extremely low  $Q_{rr}$
- Low forward voltage drop
- 175 °C operating junction temperature
- Low leakage current
- Fully isolated package ( $V_{INS} = 2500 V_{RMS}$ )
- True 2 pin package
- Designed and qualified according to JEDEC<sup>®</sup>-JESD 47
- Material categorization: for definitions of compliance please see [www.vishay.com/doc?99912](http://www.vishay.com/doc?99912)


**RoHS**  
 COMPLIANT  
 HALOGEN  
**FREE**

### PRIMARY CHARACTERISTICS

|                       |                   |
|-----------------------|-------------------|
| $I_{F(AV)}$           | 8 A               |
| $V_R$                 | 600 V             |
| $V_F$ at $I_F$        | 1.5 V             |
| $t_{rr}$ (typ.)       | 14 ns             |
| $T_J$ max.            | 175 °C            |
| Package               | 2L TO-220 FullPAK |
| Circuit configuration | Single            |

### DESCRIPTION / APPLICATIONS

State of the art hyperfast recovery rectifiers designed with optimized performance of forward voltage drop, hyperfast recovery time, and soft recovery.

The planar structure and the platinum doped life time control guarantee the best overall performance, ruggedness and reliability characteristics.

These devices are intended for use in PFC boost stage in the AC/DC section of SMPS, inverters or as freewheeling diodes.

The extremely optimized stored charge and low recovery current minimize the switching losses and reduce over dissipation in the switching element and snubbers.

### ABSOLUTE MAXIMUM RATINGS

| PARAMETER                                   | SYMBOL         | TEST CONDITIONS       | VALUES      | UNITS |
|---|----------------|-----------------------|-------------|-------|
| Peak repetitive reverse voltage             | $V_{RRM}$      |                       | 600         | V     |
| Average rectified forward current in DC     | $I_{F(AV)}$    | $T_C = 105\text{ °C}$ | 8           | A     |
| Non-repetitive peak surge current           | $I_{FSM}$      | $T_J = 25\text{ °C}$  | 80          |       |
| Operating junction and storage temperatures | $T_J, T_{Stg}$ |                       | -65 to +175 | °C    |

### ELECTRICAL SPECIFICATIONS ( $T_J = 25\text{ °C}$ unless otherwise specified)

| PARAMETER                           | SYMBOL        | TEST CONDITIONS                              | MIN. | TYP. | MAX. | UNITS         |
|-------------------------------------|---------------|--|------|------|------|---------------|
| Breakdown voltage, blocking voltage | $V_{BR}, V_R$ | $I_R = 100\text{ }\mu\text{A}$               | 600  | -    | -    | V             |
| Forward voltage                     | $V_F$         | $I_F = 8\text{ A}$                           | -    | 2.5  | 3.4  |               |
|                                     |               | $I_F = 8\text{ A}, T_J = 150\text{ °C}$      | -    | 1.5  | 2.0  |               |
| Reverse leakage current             | $I_R$         | $V_R = V_R$ rated                            | -    | 0.02 | 30   | $\mu\text{A}$ |
|                                     |               | $T_J = 150\text{ °C}, V_R = V_R$ rated       | -    | 21   | 150  |               |
| Junction capacitance                | $C_T$         | $V_R = 600\text{ V}$                         | -    | 6    | -    | pF            |
| Series inductance                   | $L_S$         | Measured lead to lead 5 mm from package body | -    | 8    | -    | nH            |



| DYNAMIC RECOVERY CHARACTERISTICS (T <sub>J</sub> = 25 °C unless otherwise specified) |                  |  |  |      |      |       |    |
|--|------------------|--|--|------|------|-------|----|
| PARAMETER  | SYMBOL           | TEST CONDITIONS  | MIN.   | TYP. | MAX. | UNITS |    |
| Reverse recovery time  | t <sub>rr</sub>  | I <sub>F</sub> = 1 A, di <sub>F</sub> /dt = 100 A/μs, V <sub>R</sub> = 30 V        | -  | 14   | 18   | ns    |    |
|  |                  | I <sub>F</sub> = 8 A, di <sub>F</sub> /dt = 100 A/μs, V <sub>R</sub> = 30 V        | -  | 15   | 24   |       |    |
|  |                  | T <sub>J</sub> = 25 °C   | -  | 17   | -    |       |    |
|  |                  | T <sub>J</sub> = 125 °C  | -  | 33   | -    |       |    |
| Peak recovery current  | I <sub>RRM</sub> | I <sub>F</sub> = 8 A,<br>di <sub>F</sub> /dt = 200 A/μs,<br>V <sub>R</sub> = 390 V | T <sub>J</sub> = 25 °C   | -    | 2.6  | -     | A  |
|  |                  |  | T <sub>J</sub> = 125 °C  | -    | 4.3  | -     |    |
| Reverse recovery charge  | Q <sub>rr</sub>  | I <sub>F</sub> = 8 A,<br>di <sub>F</sub> /dt = 200 A/μs,<br>V <sub>R</sub> = 390 V | T <sub>J</sub> = 25 °C   | -    | 22   | -     | nC |
|  |                  |  | T <sub>J</sub> = 125 °C  | -    | 77   | -     |    |
| Reverse recovery time  | t <sub>rr</sub>  | T <sub>J</sub> = 125 °C  | I <sub>F</sub> = 8 A,<br>di <sub>F</sub> /dt = 600 A/μs,<br>V <sub>R</sub> = 390 V | -    | 26   | -     | ns |
| Peak recovery current  | I <sub>RRM</sub> |  |  | -    | 11   | -     | A  |
| Reverse recovery charge  | Q <sub>rr</sub>  |  |  | -    | 150  | -     | nC |

| THERMAL - MECHANICAL SPECIFICATIONS            |                                   |  |           |      |            |                        |
|--|-----------------------------------|--|-----------|------|------------|------------------------|
| PARAMETER                                      | SYMBOL                            | TEST CONDITIONS                            | MIN.      | TYP. | MAX.       | UNITS                  |
| Maximum junction and storage temperature range | T <sub>J</sub> , T <sub>Stg</sub> |  | -65       | -    | 175        | °C                     |
| Thermal resistance, junction-to-case           | R <sub>thJC</sub>                 |  | -         | 4.6  | 5.5        | °C/W                   |
| Thermal resistance, junction-to-ambient        | R <sub>thJA</sub>                 | Typical socket mount                       | -         | -    | 70         |                        |
| Typical thermal resistance, case-to-heatsink   | R <sub>thCS</sub>                 | Mounting surface, flat, smooth and greased | -         | 0.5  | -          |                        |
| Weight   |                                   |  | -         | 2    | -          | g                      |
|  |                                   |  | -         | 0.07 | -          | oz.                    |
| Mounting torque                                |                                   |  | 6<br>(5)  | -    | 12<br>(10) | kgf · cm<br>(lbf · in) |
| Marking device                                 |                                   | Case style 2L TO-220 FullPAK               | ETX0806FP |      |            |                        |

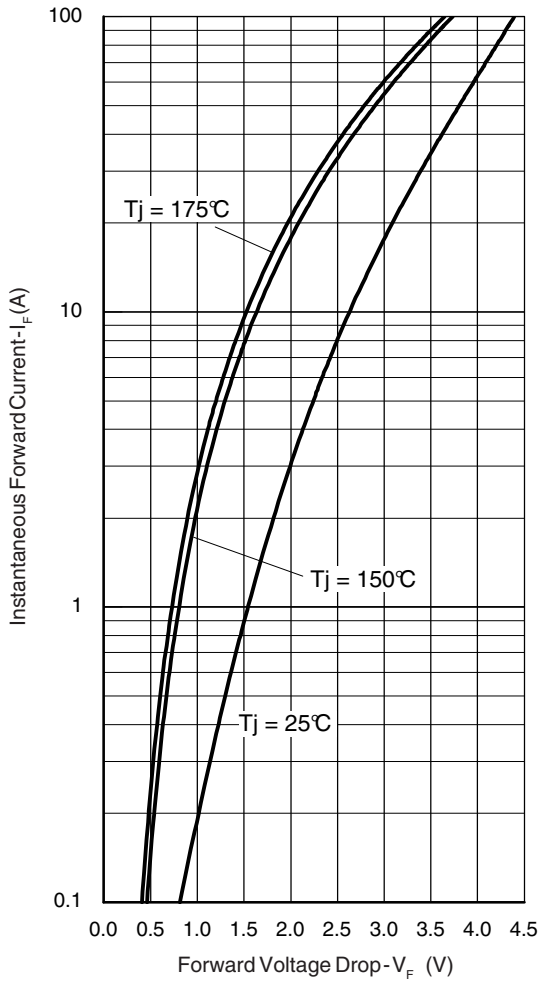


Fig. 1 - Typical Forward Voltage Drop Characteristics

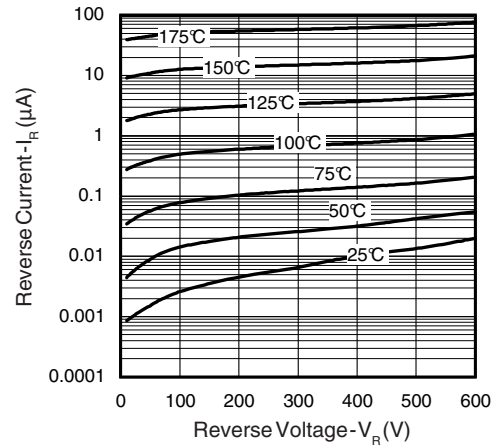


Fig. 2 - Typical Values of Reverse Current vs. Reverse Voltage

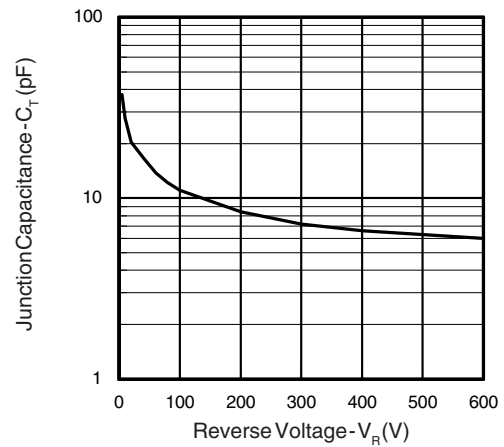


Fig. 3 - Typical Junction Capacitance vs. Reverse Voltage

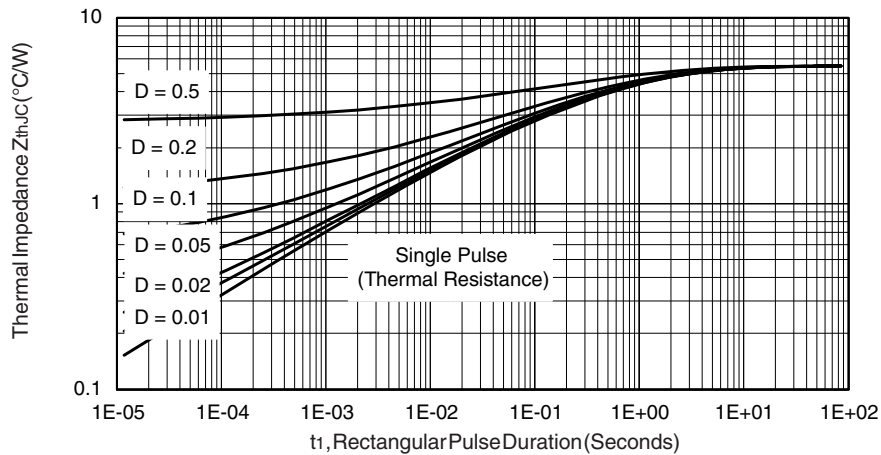


Fig. 4 - Maximum Thermal Impedance  $Z_{thJC}$  Characteristics

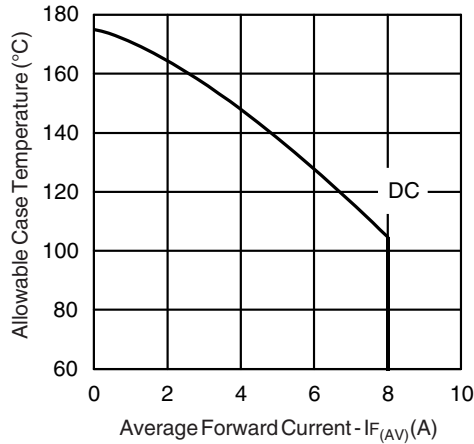


Fig. 5 - Maximum Allowable Case Temperature vs. Average Forward Current

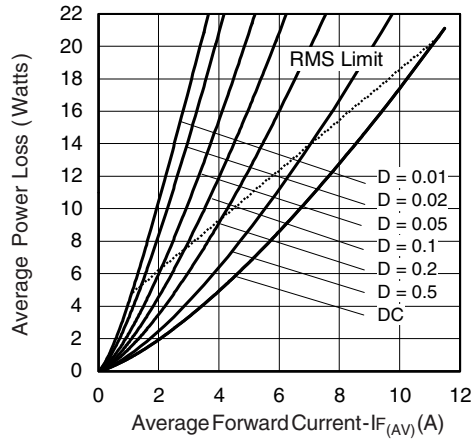


Fig. 6 - Forward Power Loss Characteristics

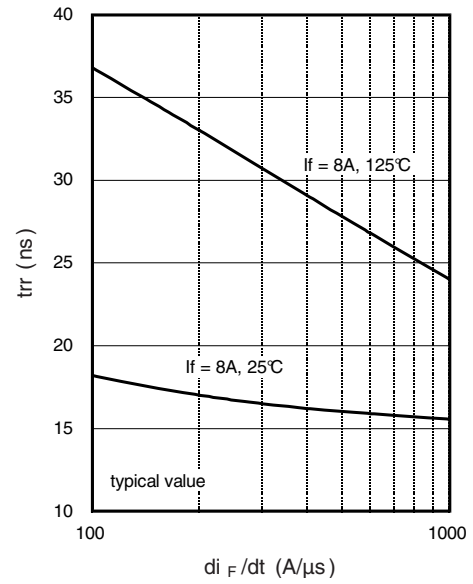


Fig. 7 - Typical Reverse Recovery vs. di<sub>F</sub>/dt

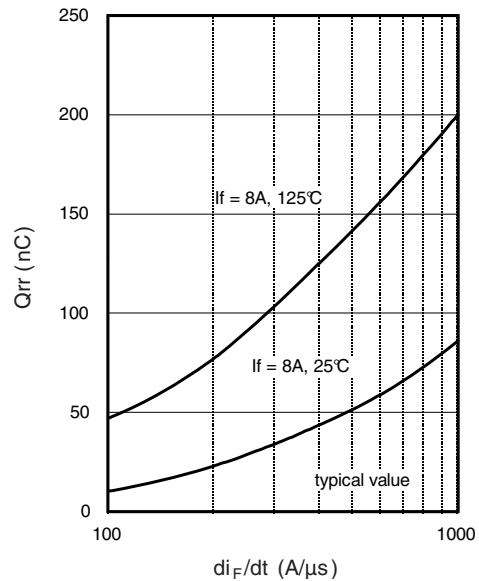
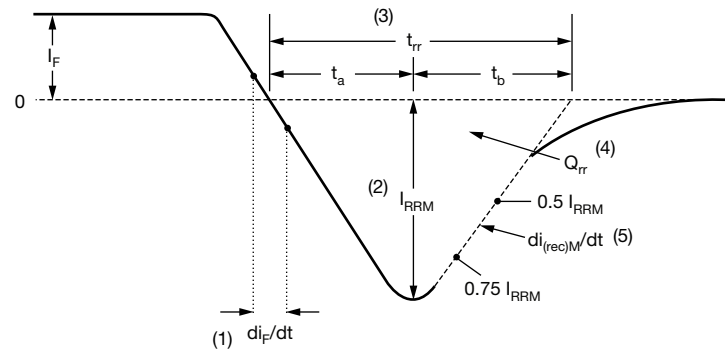


Fig. 8 - Typical Stored Charge vs. di<sub>F</sub>/dt



- (1)  $di_F/dt$  - rate of change of current through zero crossing
- (2)  $I_{RRM}$  - peak reverse recovery current
- (3)  $t_{rr}$  - reverse recovery time measured from zero crossing point of negative going  $I_F$  to point where a line passing through  $0.75 I_{RRM}$  and  $0.50 I_{RRM}$  extrapolated to zero current.
- (4)  $Q_{rr}$  - area under curve defined by  $t_{rr}$  and  $I_{RRM}$
- $$Q_{rr} = \frac{t_{rr} \times I_{RRM}}{2}$$
- (5)  $di_{(rec)M}/dt$  - peak rate of change of current during  $t_b$  portion of  $t_{rr}$

Fig. 9 - Reverse Recovery Waveform and Definitions

**ORDERING INFORMATION TABLE**

|             |            |          |          |          |           |           |           |            |
|-------------|------------|----------|----------|----------|-----------|-----------|-----------|------------|
| Device code | <b>VS-</b> | <b>E</b> | <b>T</b> | <b>X</b> | <b>08</b> | <b>06</b> | <b>FP</b> | <b>-M3</b> |
|             | ①          | ②        | ③        | ④        | ⑤         | ⑥         | ⑦         | ⑧          |

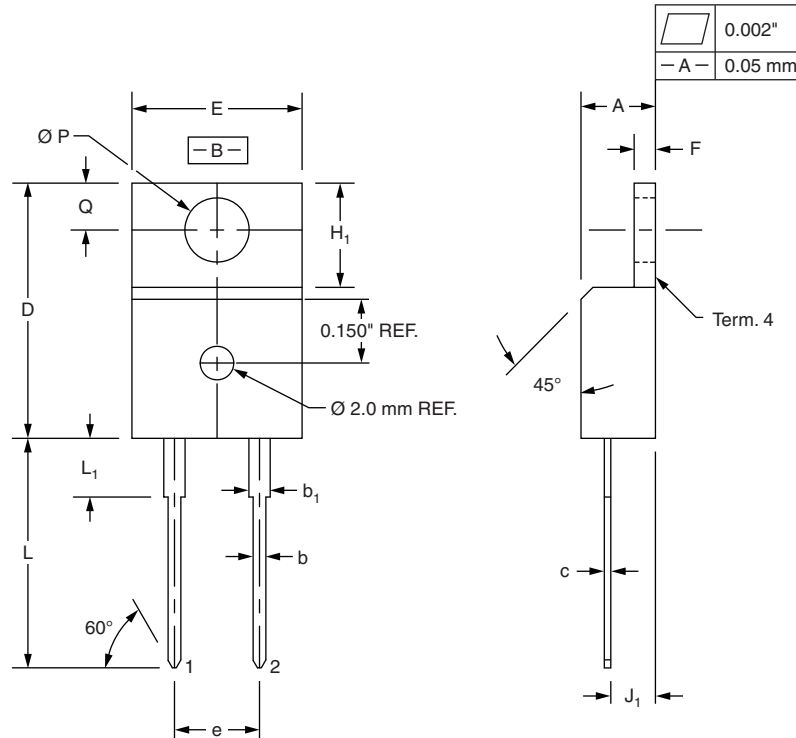
- 1** - Vishay Semiconductors product
- 2** - Circuit configuration:  
E = single
- 3** - T = TO-220
- 4** - X = hyperfast recovery time
- 5** - Current code: 08 = 8 A
- 6** - Voltage code: 06 = 600 V
- 7** - FP = 2L TO-220 FullPAK
- 8** - Environmental digit:  
-M3 = halogen-free, RoHS-compliant, and terminations lead (Pb)-free

| <b>ORDERING INFORMATION (Example)</b> |                   |                        |                         |
|---------------------------------------|-------------------|------------------------|-------------------------|
| PREFERRED P/N                         | QUANTITY PER TUBE | MINIMUM ORDER QUANTITY | PACKAGING DESCRIPTION   |
| VS-ETX0806FP-M3                       | 50                | 1000                   | Antistatic plastic tube |

| <b>LINKS TO RELATED DOCUMENTS</b> |  |
|-----------------------------------|--|
| Dimensions                        | <a href="http://www.vishay.com/doc?96157">www.vishay.com/doc?96157</a> |
| Part marking information          | <a href="http://www.vishay.com/doc?95392">www.vishay.com/doc?95392</a> |

### True 2 Pin TO-220

**DIMENSIONS** in millimeters and inches



| SYMBOL                        | MILLIMETERS |       | INCHES    |       |
|-------------------------------|-------------|-------|-----------|-------|
|                               | MIN.        | MAX.  | MIN.      | MAX.  |
| A                             | 4.32        | 4.57  | 0.170     | 0.180 |
| b                             | 0.71        | 0.91  | 0.028     | 0.036 |
| b <sub>1</sub>                | 1.15        | 1.39  | 0.045     | 0.055 |
| c                             | 0.36        | 0.53  | 0.014     | 0.021 |
| D                             | 14.99       | 15.49 | 0.590     | 0.610 |
| E                             | 10.04       | 10.41 | 0.395     | 0.410 |
| e                             | 5.08 BSC    |       | 0.200 BSC |       |
| F                             | 1.22        | 1.37  | 0.048     | 0.054 |
| H <sub>1</sub>                | 5.97        | 6.47  | 0.235     | 0.255 |
| J <sub>1</sub>                | 2.54        | 2.79  | 0.100     | 0.110 |
| L                             | 13.47       | 13.97 | 0.530     | 0.550 |
| L <sub>1</sub> <sup>(1)</sup> | 3.31        | 3.81  | 0.130     | 0.150 |
| Ø P                           | 3.79        | 3.88  | 0.149     | 0.153 |
| Q                             | 2.60        | 2.84  | 0.102     | 0.112 |

**Notes**

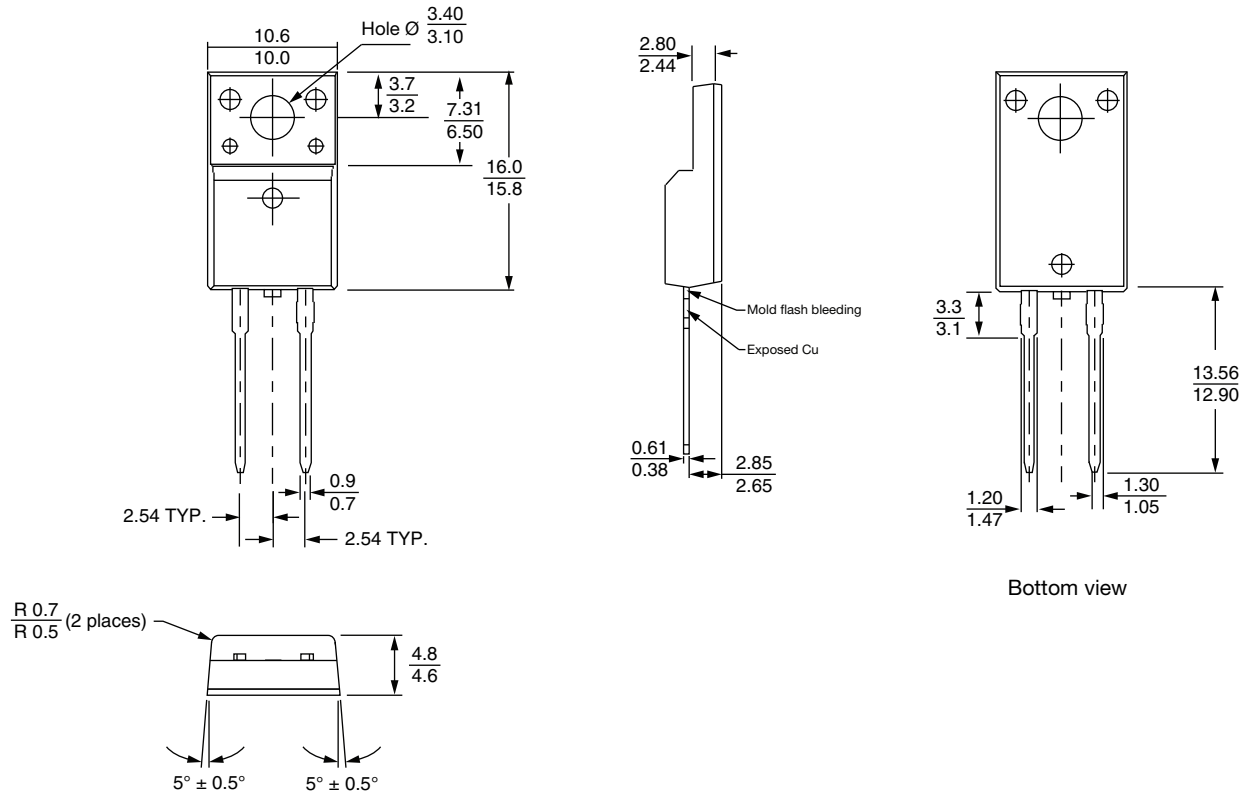
<sup>(1)</sup> Lead dimension and finish uncontrolled in L<sub>1</sub>

- These dimensions are within allowable dimensions of JEDEC TO-220AB rev. J outline dated 3-24-87
- Controlling dimension: Inch



## 2L TO-220 FullPAK

**DIMENSIONS** in millimeters





## **Disclaimer**

ALL PRODUCT, PRODUCT SPECIFICATIONS AND DATA ARE SUBJECT TO CHANGE WITHOUT NOTICE TO IMPROVE RELIABILITY, FUNCTION OR DESIGN OR OTHERWISE.

Vishay Intertechnology, Inc., its affiliates, agents, and employees, and all persons acting on its or their behalf (collectively, "Vishay"), disclaim any and all liability for any errors, inaccuracies or incompleteness contained in any datasheet or in any other disclosure relating to any product.

Vishay makes no warranty, representation or guarantee regarding the suitability of the products for any particular purpose or the continuing production of any product. To the maximum extent permitted by applicable law, Vishay disclaims (i) any and all liability arising out of the application or use of any product, (ii) any and all liability, including without limitation special, consequential or incidental damages, and (iii) any and all implied warranties, including warranties of fitness for particular purpose, non-infringement and merchantability.

Statements regarding the suitability of products for certain types of applications are based on Vishay's knowledge of typical requirements that are often placed on Vishay products in generic applications. Such statements are not binding statements about the suitability of products for a particular application. It is the customer's responsibility to validate that a particular product with the properties described in the product specification is suitable for use in a particular application. Parameters provided in datasheets and / or specifications may vary in different applications and performance may vary over time. All operating parameters, including typical parameters, must be validated for each customer application by the customer's technical experts. Product specifications do not expand or otherwise modify Vishay's terms and conditions of purchase, including but not limited to the warranty expressed therein.

Except as expressly indicated in writing, Vishay products are not designed for use in medical, life-saving, or life-sustaining applications or for any other application in which the failure of the Vishay product could result in personal injury or death. Customers using or selling Vishay products not expressly indicated for use in such applications do so at their own risk. Please contact authorized Vishay personnel to obtain written terms and conditions regarding products designed for such applications.

No license, express or implied, by estoppel or otherwise, to any intellectual property rights is granted by this document or by any conduct of Vishay. Product names and markings noted herein may be trademarks of their respective owners.