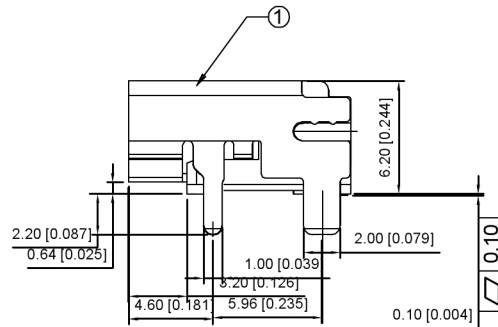
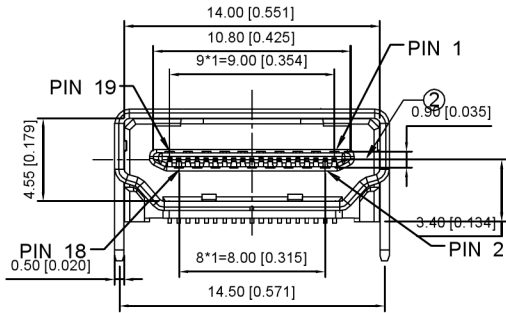


SPECIFICATIONS

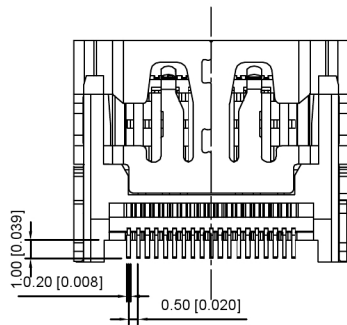
1. OPERATING CURRENT: 0.5A MAX.
2. OPERATION TEMPERATURE: -25°C TO +85°C
3. DIELECTRIC WITHSTANDING VOLTAGE:
500Volts AC BETWEEN ADIACENT TERMINAL (UNMATE)
300Volts AC BETWEEN ADIACENT TERMINAL (MATE)
4. INSULATION RESISTANCE:
100Mohm MIN (UNMATED); 10Mohm MIN. (MATED)
5. HDMI SPECIFICATION COMPLIANCE

RECOMMENDED P.C.B. LAYOUT (T: 1.20~1.60mm)
TOLERANCE UNSPECIFIED ±0.05mm



A71-05H5-1X1N1

1: Au 1U"
5: Au 15U"
6: Au 30U"



ROHS COMPLIANCE

3	CONTACTS	19	COPPER ALLOY, GOLD PLATED OVER NICKEL ON CONTACT AREA AND 100u" MIN. TIN PLATED OVER NICKEL ON SOLDER TAILS
2	HOUSING	1	THERMOPLASTIC UL94V-0
1	SHELL	1	COPPER ALLOY, NICKEL PLATED

广东星坤科技股份有限公司
文件工程章

REVISIONS	DATE	REVISED	APPROVED	DESCRIPTION

DSND	SCALE: N/A	MODEL TYPE: HDMI CONNECTOR
DWN	VIEW:	PART NO.: A71-05H5-1X1N1
CHKD	UNIT: mm/in	DWG NO.: A71-05H5-1X1N1
APPD	SIZE: A4	WEIGHT
XKB INDUSTRIAL PRECISION CO., LIMITED		SHEET 1/1
		REVISION A0

