

ROHS COMPLIANCE

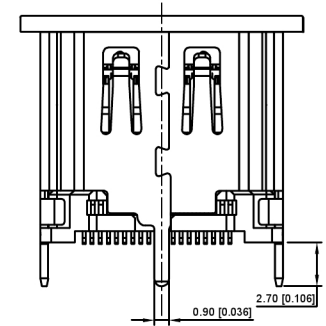
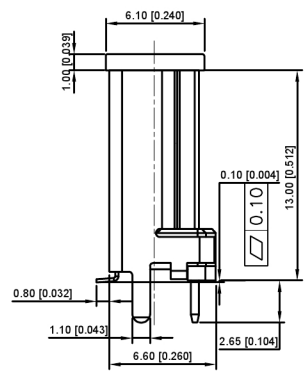
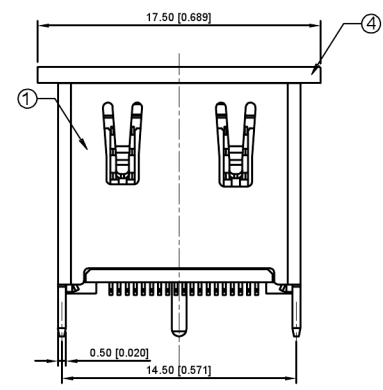
RECOMMENDED P.C.B. LAYOUT (T:1.20~1.60mm)
TOLERANCE UNSPECIFIED ±0.05mm

SPECIFICATIONS

1. OPERATING CURRENT: 0.5A MAX.
2. OPERATION TEMPERATURE: -25°C TO +85°C
3. DIELECTRIC WITHSTANDING VOLTAGE:
500Volts AC BETWEEN ADIACENT TERMINAL (UNMATE)
300Volts AC BETWEEN ADIACENT TERMINAL (MATE)
4. INSULATION RESISTANCE:
100Mohm MIN (UNMATED); 10Mohm MIN. (MATED)
5. HDMI SPECIFICATION COMPLIANCE

A71-05H6-1X1N1

- 1: Au 1U"
- 5: Au 15U"
- 6: Au 30U"



4	DUST COVER	1	THERMOPLASTIC UL94V-0
3	CONTACTS	19	COPPER ALLOY, GOLD PLATED OVER NICKEL ON CONTACT AREA AND 100U" MIN. TIN PLATED OVER NICKEL ON SOLDER TAILS
2	HOUSING	1	THERMOPLASTIC UL94V-0
1	SHELL	1	COPPER ALLOY OR SPCC, NICKEL PLATED

广东星坤科技股份有限公司

ΔX	日期
ΔX	日期
ΔX	日期
MARK	DESCRIPTION

文件工程章

REVISIONS	DATE	REVISED	APPROVED	UNSPECIFIED TOLERANCES
-----------	------	---------	----------	------------------------

www.helloxkb.com www.helloxkb.cn www.xk-dg.cn

ANGLAR	±5°
L ≤ 4	±0.2
4 < L ≤ 16	±0.3
16 < L ≤ 63	±0.4
L > 63	±0.5



DSND	SCALE: N/A	MODEL TYPE: HDMI CONNECTOR
DWN	VIEW:	PART NO.: A71-05H6-1X1N1
CHKD	UNIT: mm/in	DWG NO.: A71-05H6-1X1N1
APPD	SIZE: A4	WEIGHT
		SHEET
		REVISION
		1/1
		A0

XKB INDUSTRIAL PRECISION CO., LIMITED