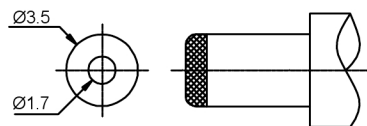
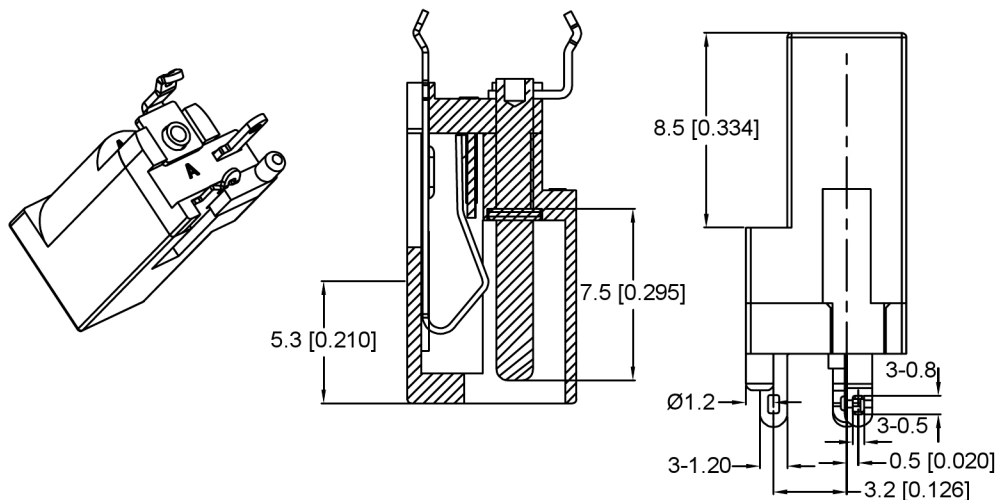


PCB LAYOUT TOP VIEW
TOLERANCES:±0.05

SCHEMATIC	
Center Pin	Ø1.0 mm Ø1.3 mm Ø1.65 mm

NOTES:

- CONTACT CURRENT RATING:1A.
- CONTACT RESISTANCE:50mΩ MAX.;
- INSULATION RESISTANCE: 100MΩ MIN.;
- DIELECTRIC WITHSTANDING: 500V AC MIN.;
- DURABILITY:5,000 CYCLES MIN.
- CONNECTOR MATING FORCES: 29.4N(3.00Kgf) MAX.;
- CONNECTOR UNMATING FORCES: 4.94N(0.50Kgf)MIN.,



	MATERIAL	PLATING
center pin	Brass	tin
terminal 1	Brass	tin
terminal 2	Phosphor Bronze	tin
terminal 3	Brass	tin
plastic	Pbt	

广东星坤科技股份有限公司

ΔX	日期
ΔX	日期
ΔX	日期
MARK	DESCRIPTION

文件工程章

REVISIONS	DATE	REVISED	APPROVED	UNSPECIFIED TOLERANCES
ANGULAR				±5°
L ≤ 4				±0.2
4 < L ≤ 16				±0.3
16 < L ≤ 63				±0.4
L > 63				±0.5

www.helloxkb.com www.helloxkb.cn www.xk-dg.cn



DSND	SCALE: N/A
DWN	VIEW:
CHKD	UNIT: mm/in
APPD	SIZE: A4

MODEL TYPE: DC POWER JACK
PART NO.: DC-002H-2.5A-1.65
DWG NO.:
WEIGHT
SHEET 1/1
REVISIC A0

XKB INDUSTRIAL PRECISION CO., LIMITED