

**PCB LAYOUT TOP VIEW**  
TOLERANCES: ±0.05

**SPECIFICATIONS:**

规格:

**1. ELECTRICAL CHARACTERISTICS:**

电气特性:

**1-1. RATING:**

等级:

**1-2. CONTACT RESISTANCE: ≤30mΩ (INITIAL)**

接触电阻: ≤30mΩ (初始)

**1-3. DIELECTRIC WITHSTANDING VOLTAGE: 500V AC FOR ONE MINUTE**

介质耐受电压: 500V AC FOR ONE MINUTE

**1-4. INSULATION RESISTANCE: 100MΩ MIN. MEASURED BY 500V DC**

绝缘电阻: 500V 直流电测得的最小值为 100MΩ

**2. MECHANICAL CHARACTERISTICS:**

机械特性:

**2-1. INSERTION FORCE: 0.3~3.0 KGF**

插入力: 0.3~3.0 KGF

**2-2. WITHDRAWAL FORCE: 0.3~3.0 KGF**

拔出力: 0.3~3.0 KGF

**3. UFE TEST: 5,000 CYCLES MIN.**

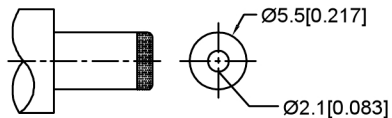
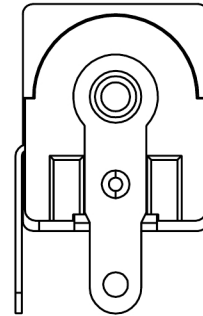
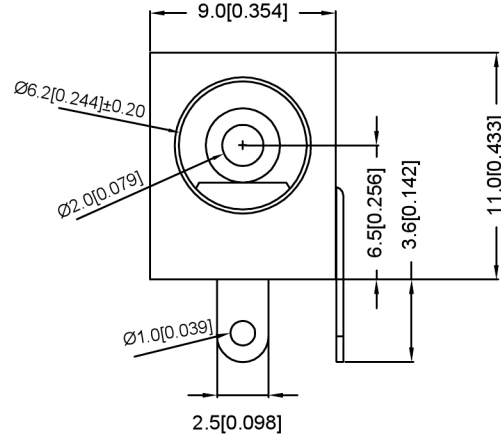
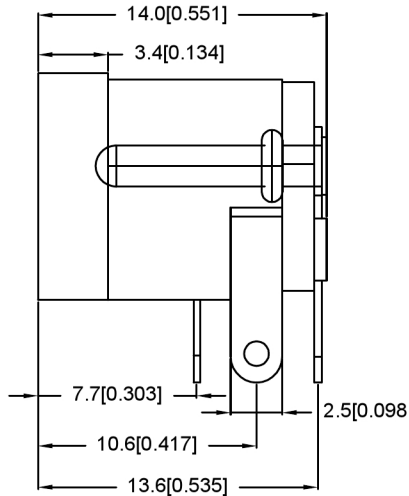
UFE 试验: 至少 5000 次循环。

**4. FOR REFLOW SOLDERING LEAD-FREE PROCESS.**

用于回流焊无铅工艺。

**5. REPRESENT CRITICAL DIMENSIONS.**

表示关键尺寸



**MATING PLUG**

Jack Insertion Depth: 9.0 mm

SCHEMATIC	
Model	DC-005
Center Pin	2.0
	2.5
	3.0

	MATERIAL	PLATING
center pin	Brass	silver
terminal 1	Brass	silver
terminal 2	Phosphor Bronze	silver
terminal 3	Brass	silver
plastic	Pbt	

广东星坤科技股份有限公司

Δx	日期
Δx	日期
Δx	日期
MARK	DESCRIPTION

文件工程章

REVISIONS	DATE	REVISED	APPROVED	UNSPECIFIED TOLERANCES
ANGULAR				±5°
L ≤ 4				±0.2
4 < L ≤ 16				±0.3
16 < L ≤ 63				±0.4
L > 63				±0.5



XKB INDUSTRIAL PRECISION CO., LIMITED

DSND	SCALE: N/A	MODEL TYPE: DC POWER JACK
DWN	VIEW:	PART NO.: DC-005-5A-2.0
CHKD	UNIT: mm/in	DWG NO.:
APPD	SIZE: A4	
	WEIGHT	SHEET
		1/1
	REVISIC	A0