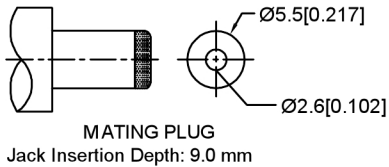
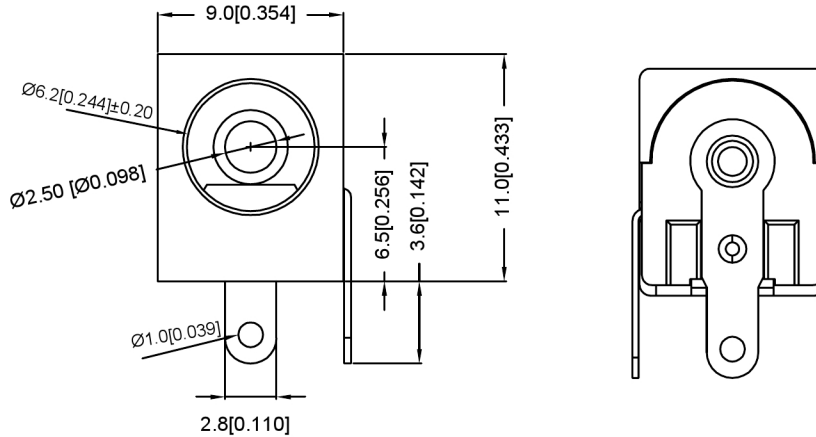
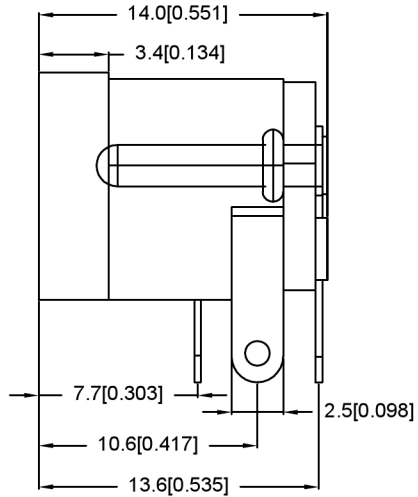


PCB LAYOUT TOP VIEW
TOLERANCES: ±0.05



SPECIFICATIONS:

规格:

1. ELECTRICAL CHARACTERISTICS:

电气特性:

1-1. RATING:

等级:

1-2. CONTACT RESISTANCE: ≤30mΩ.(INITIAL)

接触电阻: ≤30mΩ (初始)

1-3. DIELECTRIC WITHSTANDING VOLTAGE: 500V AC FOR ONE MINUTE

介质耐受电压: 500V AC FOR ONE MINUTE

1-4. INSULATION RESISTANCE: 100MΩ MIN. MEASURED BY 500V DC

绝缘电阻: 500V 直流电测得的最小值为100MΩ

2. MECHANICAL CHARACTERISTICS:

机械特性:

2-1. INSERTION FORCE: 0.3~3.0 KGF

插入力: 0.3~3.0 KGF

2-2. WITHDRAWAL FORCE: 0.3~3.0 KGF

拔出力: 0.3~3.0 KGF

3. UFE TEST: 5,000 CYCLES MIN.

UFE 试验: 至少5000次循环。

4. FOR REFLOW SOLDERING LEAD-FREE PROCESS.

用于回流焊无铅工艺。

5. REPRESENT CRITICAL DIMENSIONS.

表示关键尺寸

SCHEMATIC	
Model	DC-005
Center Pin	2.0
	2.5
	3.0

	MATERIAL	PLATING
center pin	Brass	silver
terminal 1	Brass	silver
terminal 2	Phosphor Bronze	silver
terminal 3	Brass	silver
plastic	Pbt	

广东星坤科技股份有限公司

ΔX	日期
ΔX	日期
ΔX	日期
MARK	DESCRIPTION

文件工程章

REVISIONS	DATE	REVISED	APPROVED	UNSPECIFIED TOLERANCES
ANGLAR		±5°		
L ≤ 4		±0.2		
4 < L ≤ 16		±0.3		
16 < L ≤ 63		±0.4		
L > 63		±0.5		



DSND	SCALE: N/A	MODEL TYPE: DC POWER JACK
DWN	VIEW:	PART NO.: DC-005-5A-2.5
CHKD	UNIT: mm/in	DWG NO.:
APPD	SIZE: A4	
XKB INDUSTRIAL PRECISION CO., LIMITED		WEIGHT
		SHEET
		REVISI
		1/1
		A0