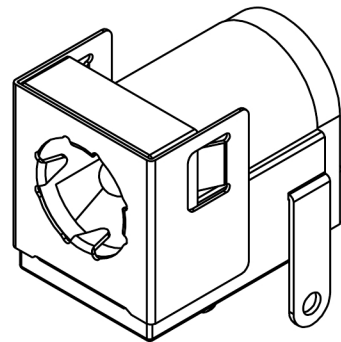
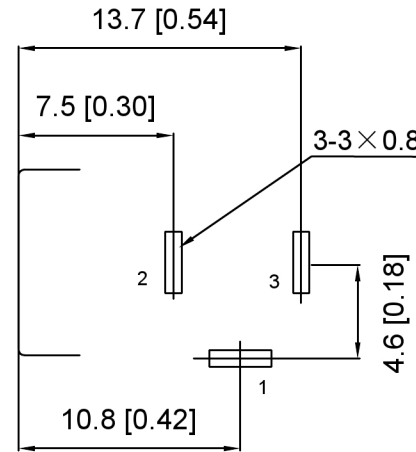
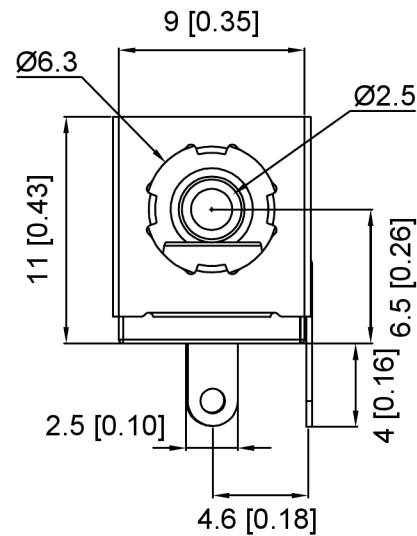
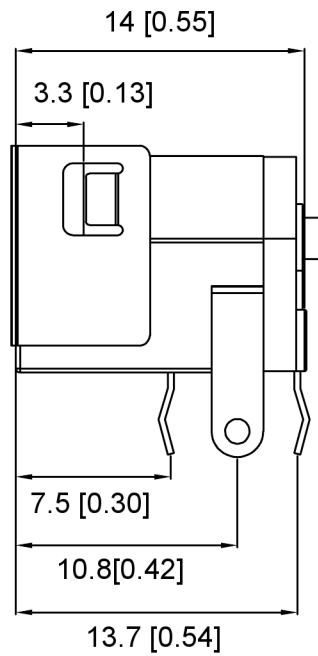


1. Rated load: 30V 2.5A
2. Contact Resistance: $\leq 0.03\Omega$;
3. Insulation Resistance: $\geq 100M\Omega$;
4. Voltage withstand: AC500V(50Hz)/min;
5. Insertion force: 3~20N;
6. life: 5,000次。



SCHMATIC	
Model	DC-005F-2.5A
Center Pin	$\varnothing 2.0$ mm
	$\varnothing 2.5$ mm

	MATERIAL	PLATING
center pin	Brass	CuSn
terminal 1	Brass	Ag
terminal 2	Phosphor copper	Ag
terminal 3	Brass	Ag
plastic	Pbt	

广东星坤科技股份有限公司

Δx	日期
Δx	日期
Δx	日期
MARK	DESCRIPTION

文件工程章

REVISIONS	DATE	REVISED	APPROVED	UNSPECIFIED TOLERANCES
				ANGULAR $\pm 5^\circ$
				$L \leq 4$ ± 0.2
				$4 < L \leq 16$ ± 0.3
				$16 < L \leq 63$ ± 0.4
				$L > 63$ ± 0.5



DSND	SCALE: N/A	MODEL TYPE: DC POWER JACK
DWN	VIEW:	PART NO.: DC-005F-2.5A-2.5
CHKD	UNIT: mm/in	DWG NO.:
APPD	SIZE: A4	
XKB INDUSTRIAL PRECISION CO., LIMITED		WEIGHT
		SHEET
		REVISIC
		1/1
		A0