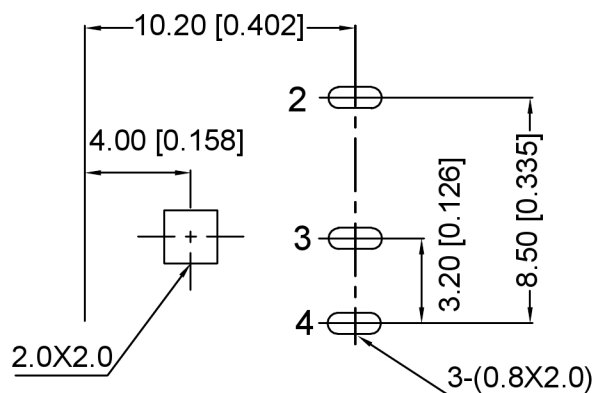
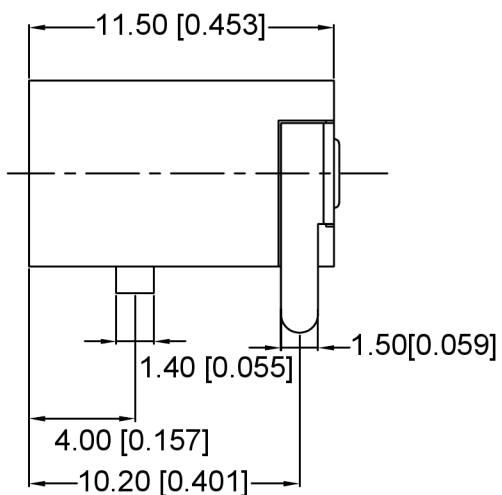


MATING PLUG
Jack Insertion Depth: 8.2 mm

SCHEMATIC	
Model	DC-0440-2.5A
Center Pin	Ø1.65 mm
	Ø2.0 mm
	Ø2.5 mm



	MATERIAL	PLATING
center pin	Brass	silver
terminal 1	Brass	silver
terminal 2	Phosphor Bronze	silver
terminal 3	Brass	silver
plastic	Pbt	

广东星坤科技股份有限公司

Δx	日期
Δx	日期
Δx	日期
MARK	DESCRIPTION

文件工程章

REVISIONS	DATE	REVISED	APPROVED	UNSPECIFIED TOLERANCES
				ANGULAR ±5°
				L ≤ 4 ±0.2
				4 < L ≤ 16 ±0.3
				16 < L ≤ 63 ±0.4
				L > 63 ±0.5



DSND		SCALE: N/A
DWN		VIEW:
CHKD		UNIT: mm/in
APPD		SIZE: A4

MODEL TYPE:	DC POWER JACK	
PART NO.:	DC-0440-2.5A-2.5	
DWG NO.:		
WEIGHT	SHEET	REVISIC
	1/1	A0

XKB INDUSTRIAL PRECISION CO., LIMITED