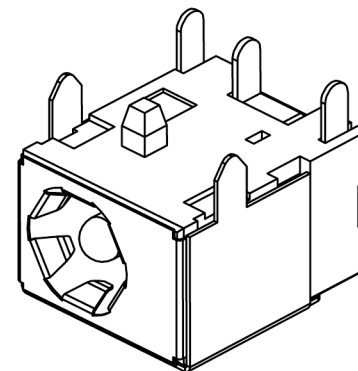
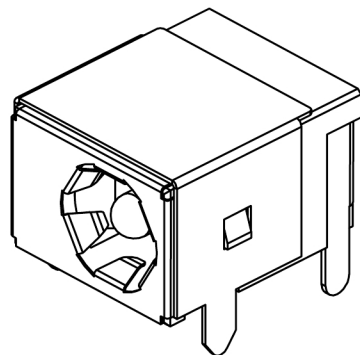
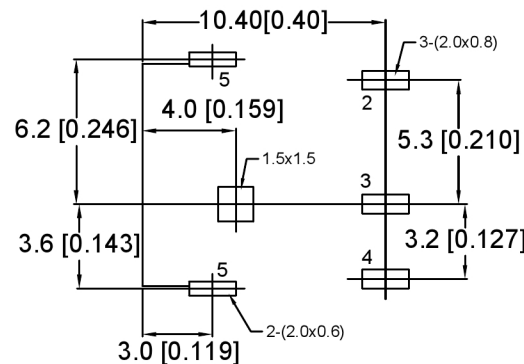


### SPECIFICATION

1. Rating : DC 24V 5.0A;
2. Contact resistance:  $\leq 0.03\Omega$ ;
3. Insulation resistance:  $\geq 100M\Omega$  (DC250V);
4. Withstand voltage: 500VAC ;
5. Insertion and extraction force: 3-20N;
6. life test: 5,000 cycles.

SCHEMATIC	
Model	DC-044B
Center Pin	Ø2.0 mm
	Ø2.5 mm

P.C.B LAYOUT  
TOP VIEW



	MATERIAL	PLATING
housing	high thermoplastic	silver
terminal2	Phosphor Bronze	silver
terminal3	brass	silver
terminal4	brass	silver
conter pin	brass	NI
teminal6	Phosphor Bronze	NI
cover	sus	

广东星坤科技股份有限公司

Δx	日期
Δx	日期
Δx	日期
MARK	DESCRIPTION

文件工程章

REVISIONS	DATE	REVISED	APPROVED	UNSPECIFIED TOLERANCES

DSND	SCALE: N/A	MODEL TYPE:	DC POWER JACK
DWN	VIEW:	PART NO.:	DC-044B-5A-2.0
CHKD	UNIT: mm/in	DWG NO.:	
APPD	SIZE: A4	WEIGHT	SHEET
		1/1	REVISIC
			A0



XKB INDUSTRIAL PRECISION CO., LIMITED

www.helloxkb.com www.helloxkb.cn www.xk-dg.cn