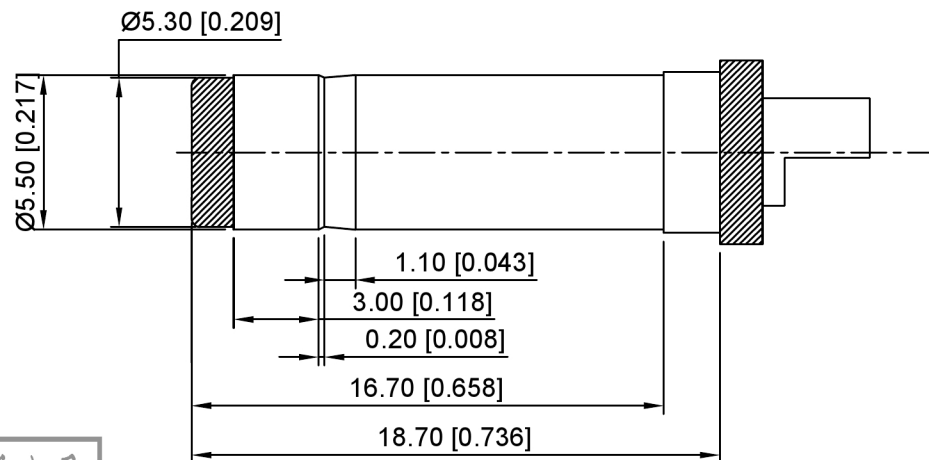
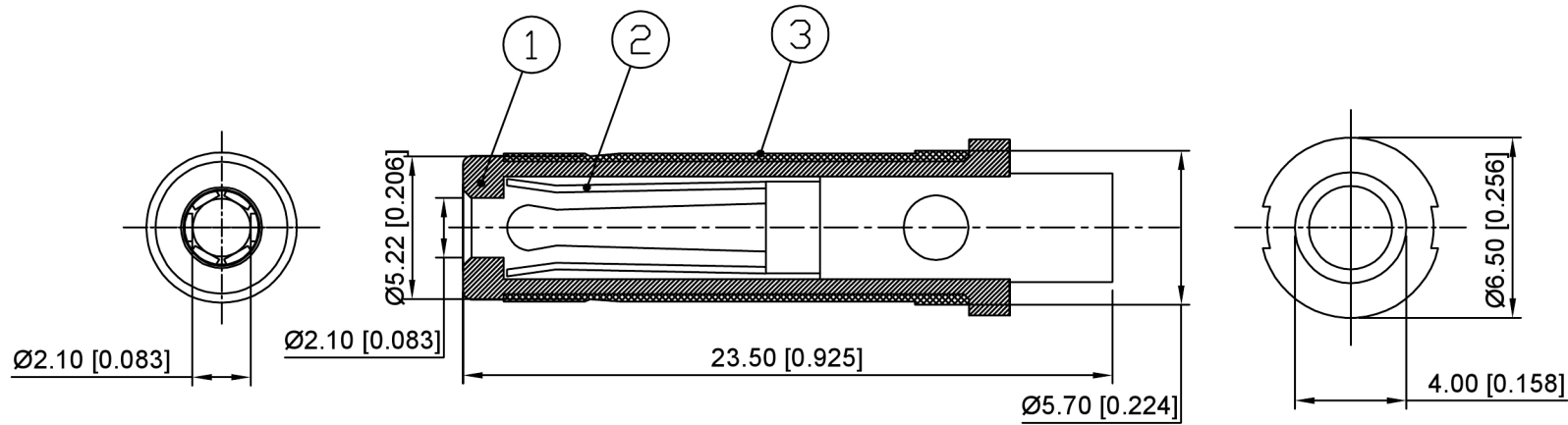


SPECIFICATIONS:

- 1.ELECTRICAL CHARACTERISTICS 1-1 RATING: DC24V/6A
- 1-2. CONTACT RESISTANCE: 30mΩ MAX. (INITIAL)
- 1-3. DIELECTRIC WITHSTANDING VOLTAGE: 500V AC FOR ONE MINUTE
- 1-4. INSULATION RESISTANCE: 100MΩ MIN. MEASURED BY 500V DC
2. MECHANICAL CHARACTERISTICS:
- 2-1. Plug it into the mother socket 3 times INSERTION FORCE: 0.3~3.0 KGF
- 2-2. Plug it into the mother socket 5000 times INSERTION FORCE: 0.3~3.0 KGF
3. SALT FOG: 24 Hours
4. FOR REFLOW SOLDERING LEAD-FREE PROCESS.
5. \*REPRESENT CRITICAL DIMENSIONS.



	MATERIAL	PLATING
TERMINAL 1	Phosphor bronze	NI
Fork hook tube	H65	NI
plastic	PBT	Black

广东星坤科技股份有限公司

Δx	日期
Δx	日期
Δx	日期
MARK	DESCRIPTION

文件工程章

REVISIONS	DATE	REVISED	APPROVED	UNSPECIFIED TOLERANCES
ANGULAR				±5°
L ≤ 4				±0.2
4 < L ≤ 16				±0.3
16 < L ≤ 63				±0.4
L > 63				±0.5



DSND	SCALE: N/A
DWN	VIEW:
CHKD	UNIT: mm/in
APPD	SIZE: A4

MODEL TYPE: DC PIUG		
PART NO.: DT-235521		
DWG NO.:		
WEIGHT	SHEET	REVISIC
	1/1	A0

XKB INDUSTRIAL PRECISION CO., LIMITED