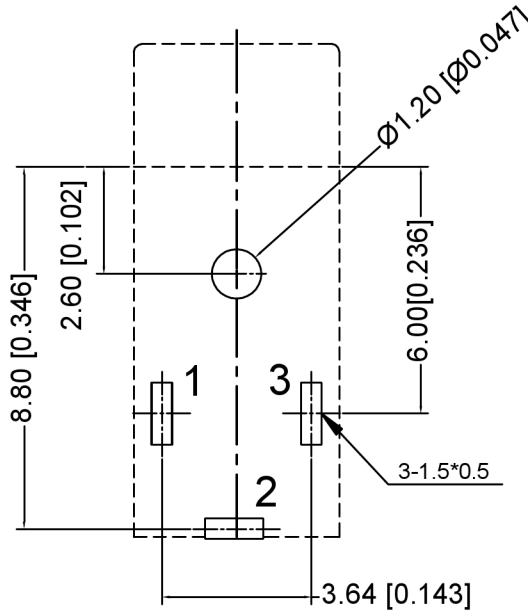
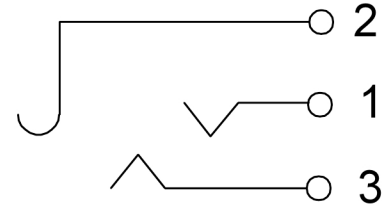


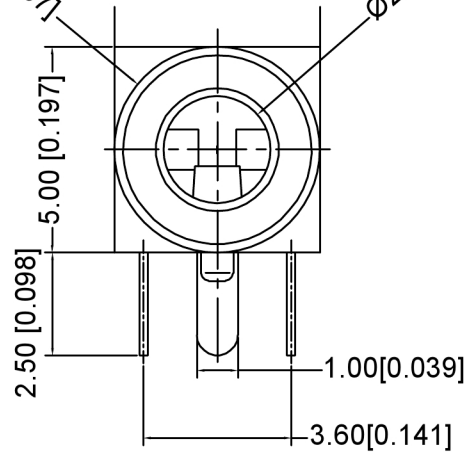
Ø0.80 [Ø0.031]



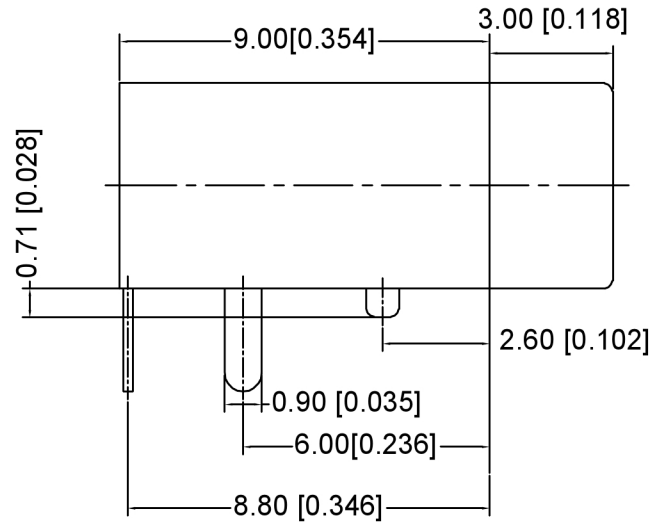
Ø1.20 [Ø0.047]



Ø5.00 [Ø0.197]



Ø2.60 [Ø0.102]



	MATERIAL	PLATING
terminal 1	Phosphor Bronze	tin
terminal 2	Phosphor Bronze	tin
terminal 3	Phosphor Bronze	tin
plastic	PA66	

广东星坤科技股份有限公司
文件工程章

ΔX
ΔX
ΔX
MARK

日期

DESCRIPTION

REVISIONS

www.helloxkb.com www.helloxkb.cn www.xk-dg.cn

DATE REVISED APPROVED

ANGULAR ±5°
L ≤ 4 ±0.2
4 < L ≤ 16 ±0.3
16 < L ≤ 63 ±0.4
L > 63 ±0.5
UNSPECIFIED TOLERANCES



XKB INDUSTRIAL PRECISION CO., LIMITED

DSND	SCALE: N/A	MODEL TYPE: 2.5 PHONE JACK
DWN	VIEW:	PART NO.: PJ-211A
CHKD	UNIT: mm/in	DWG NO.:
APPD	SIZE: A4	

WEIGHT	SHEET	REVISIC
	1/1	A0