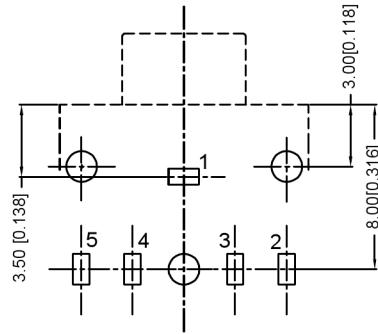
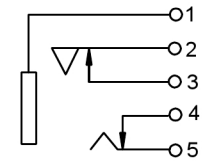


线路板开孔尺寸



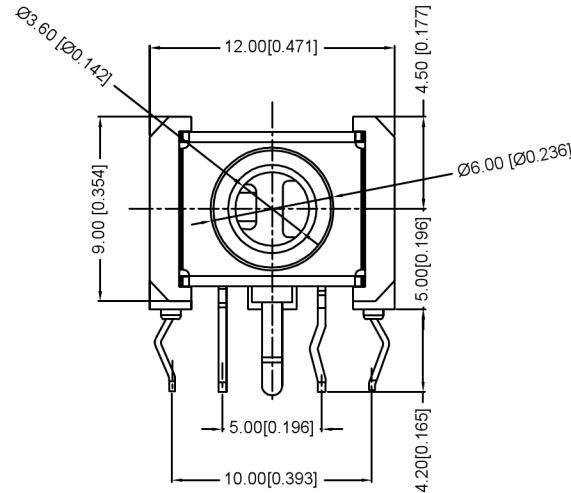
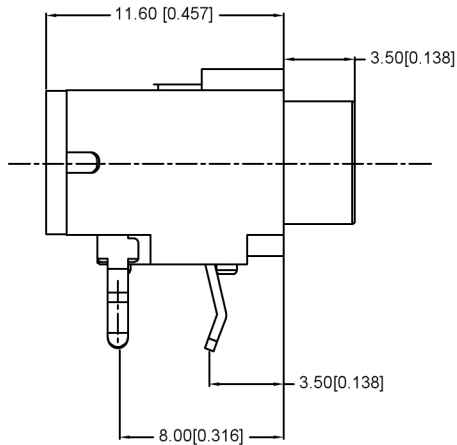
电路原理图



Main technical performance

主要技术性能

1. Rated electrical load: 30V · 0.5A
额定电负荷: 30V·0.5A;
2. Contact resistance: ≤ 0.03 Ω
接触电阻: ≤0.03Ω;
3. Insulation resistance: ≥ 100m Ω
绝缘电阻: ≥100MΩ;
4. Withstand voltage: Ac500V (50Hz) /min
耐压: AC500V(50Hz)/min;
5. Plugging force: 3~20n
插拔力: 3~20N
6. Service life: 5000 times
寿命: 5,000次。



color B:Black R:Red G:Green
CO:Copper Set

	MATERIAL	PLATING
terminal 1	Brass	D.L1Ag
terminal 2	Phosphor Bronze	D.L1Ag
terminal 3	Phosphor Bronze	D.L1Ag
terminal 4	Phosphor Bronze	D.L1Ag
terminal 5	Phosphor Bronze	D.L1Ag
plastic	PA	

广东星坤科技股份有限公司

ΔX		
ΔX		
ΔX		
MARK		

文件工程章

REVISIONS	DATE	REVISED	APPROVED	DESCRIPTION

ANGULAR	±5°
L ≤ 4	±0.2
4 < L ≤ 16	±0.3
16 < L ≤ 63	±0.4
L > 63	±0.5
UNSPECIFIED TOLERANCES	



XKB INDUSTRIAL PRECISION CO., LIMITED

DSND		SCALE: N/A	MODEL TYPE:
DWN		VIEW:	PART NO.: PJ-3062-G
CHKD		UNIT: mm/in	DWG NO.:
APPD		SIZE: A4	
		WEIGHT	SHEET
			REVISION
		1/1	A0