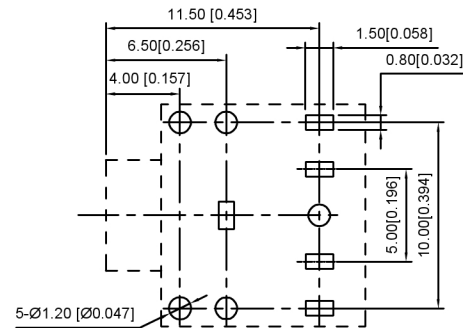
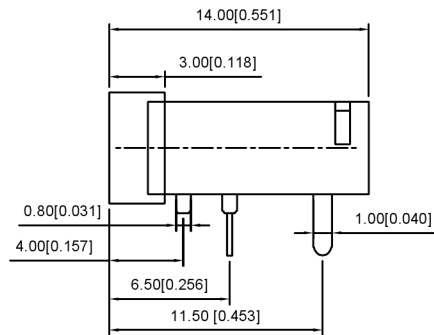
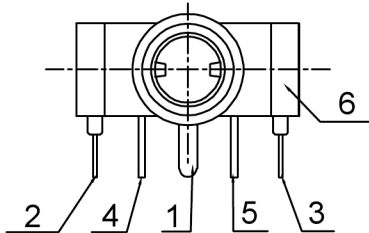


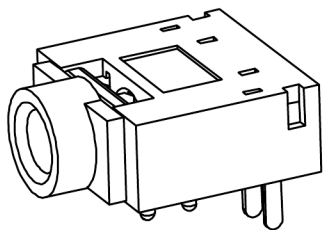
Ø3.5 MATING PLUG



PCB LAYOUT TOP VIEW

PIN	PJ-307G3	PJ-307G4	PJ-307G5
Schematic			
PIN			
1	sleeve	sleeve	sleeve
2	tip	tip	tip
3	ring	ring	ring
4	NP	tip switch	tip switch
5	NP	NP	ring switch

	MATERIAL	PLATING
terminal 1	Phosphor Bronze	Ag
terminal 2	Phosphor Bronze	Ag
terminal 3	Phosphor Bronze	Ag
terminal 4	Brass	Ag
terminal 5	Brass	Ag
plastic	PA	



DSND	SCALE: N/A	MODEL TYPE:		
DWN	VIEW:	PART NO.: PJ-307G5		
CHKD	UNIT: mm/in	DWG NO.:		
APPD	SIZE: A4			
		WEIGHT	SHEET	REVISI
			1/1	A0



XKB INDUSTRIAL PRECISION CO., LIMITED

广东星坤科技股份有限公司

MARK	DESCRIPTION	DATE	REVISI

文件工程章

www.helloxkb.com www.helloxkb.cn www.xk-dg.cn

ANGLAR	±5°
L ≤ 4	±0.2
4 < L ≤ 16	±0.3
16 < L ≤ 63	±0.4
L > 63	±0.5

UNSPECIFIED TOLERANCES