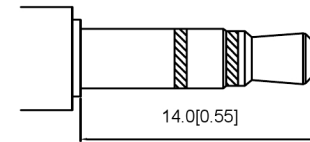
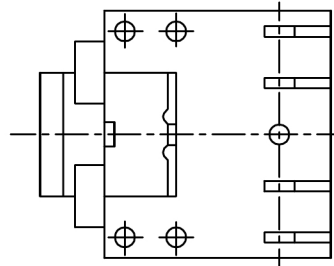
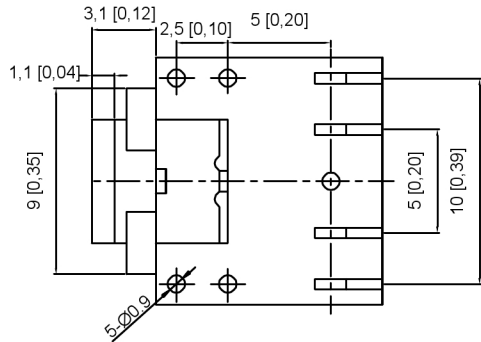


PCB LAYOUT TOP VIEW



Ø 3.5 MATING PLUG

Model No.	PJ-307N3	PJ-307N4	PJ-307N5
Schematic			
PIN			
1	sleeve	sleeve	sleeve
2	tip	tip	tip
3	ring	ring	ring
4	NP	tip switch	tip switch
5	NP	NP	ring switch

	MATERIAL	PLATING
terminal 1	Phosphor Bronze	tin
terminal 2	Phosphor Bronze	tin
terminal 3	Phosphor Bronze	tin
terminal 4	Brass	tin
terminal 5	Brass	tin
plastic	Pbt	

广东星坤科技股份有限公司

日期

文件工程章

REVISIONS	DATE	REVISED	APPROVED	DESCRIPTION

UNSPECIFIED TOLERANCES  
 ANGLAR ±5°  
 L ≤ 4 ±0.2  
 4 < L ≤ 16 ±0.3  
 16 < L ≤ 63 ±0.4  
 L > 63 ±0.5



XKB INDUSTRIAL PRECISION CO., LIMITED

DSND	SCALE: N/A	MODEL TYPE: 3.5 PHONE JACK
DWN	VIEW:	PART NO.: PJ-307NX
CHKD	UNIT: mm/in	DWG NO.:
APPD	SIZE: A4	
	WEIGHT	SHEET
		1/1
	REVISIC	A0

www.helloxkb.com www.helloxkb.cn www.xk-dg.cn