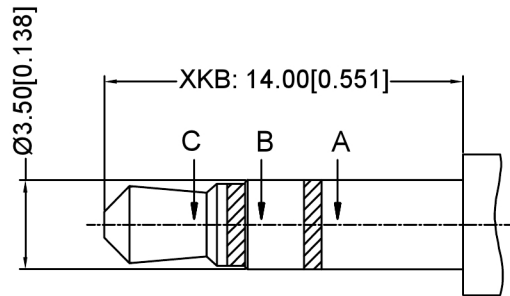
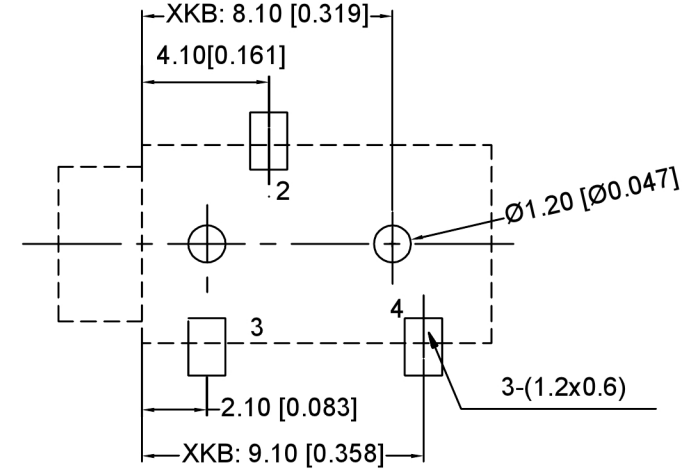
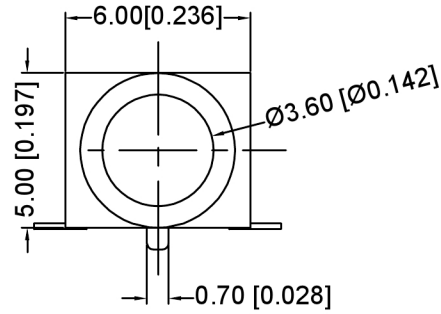
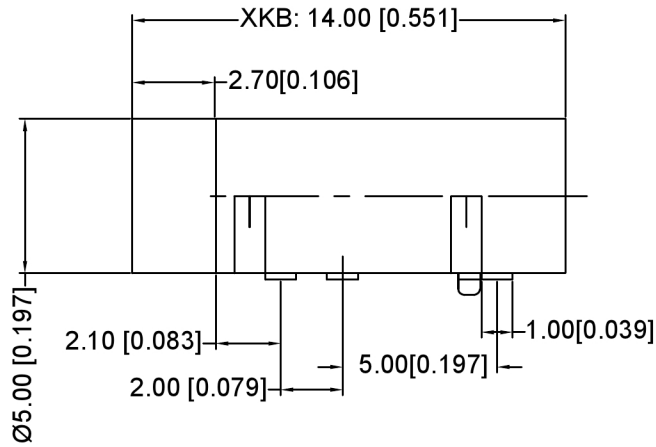
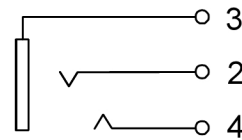


# PCB LAYOUT TOP VIEW



MATE PLUG



	MATERIAL	PLATING
terminal	copper alloY	silver
terminal	copper alloY	silver
terminal	copper alloY	silver
terminal	copper alloY	silver
terminal	brass	silver
terminal	brass	
plastic	PA9T	

广东星坤科技股份有限公司

Δx		日期
Δx		日期
Δx		日期
MARK	DESCRIPTION	

文件工程章

REVISIONS	DATE	REVISED	APPROVED	UNSPECIFIED TOLERANCES
ANGULAR				±5°
L ≤ 4				±0.2
4 < L ≤ 16				±0.3
16 < L ≤ 63				±0.4
L > 63				±0.5



XKB INDUSTRIAL PRECISION CO., LIMITED

DSND		SCALE: N/A	MODEL TYPE: 3.5 PHONE JACK
DWN		VIEW:	PART NO.: PJ-320B-SMT
CHKD		UNIT: mm/in	DWG NO.:
APPD		SIZE: A4	
		WEIGHT	SHEET
			1/1
		REVISIC	A0