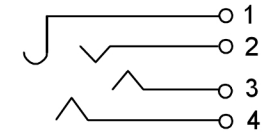
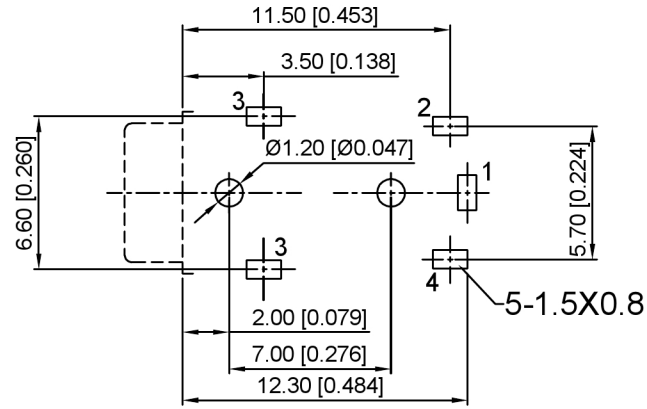
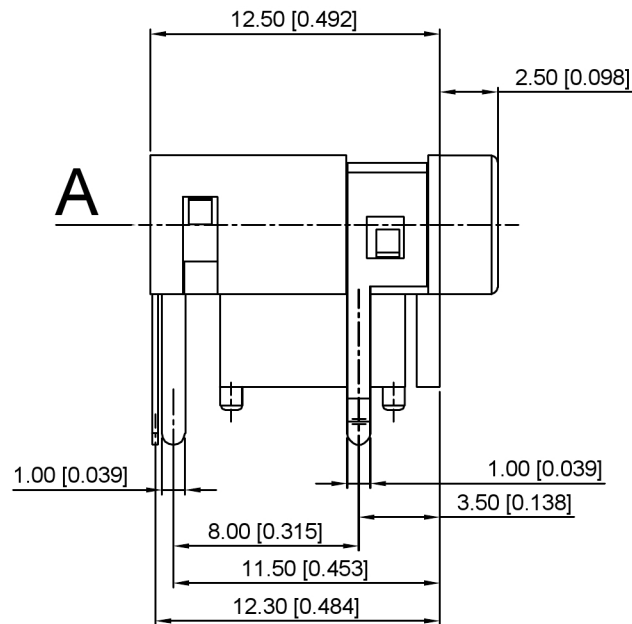
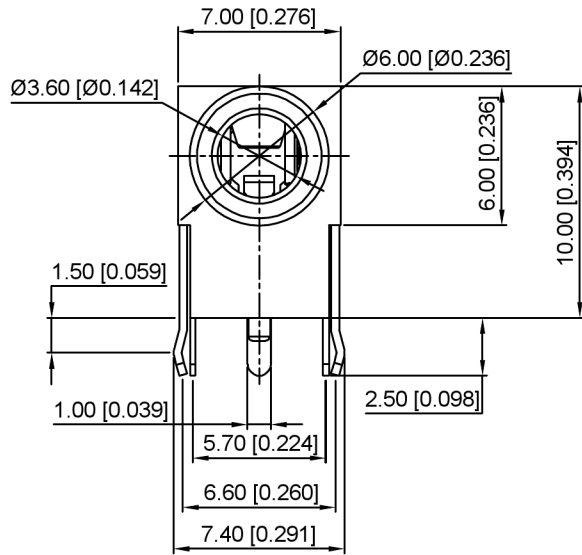
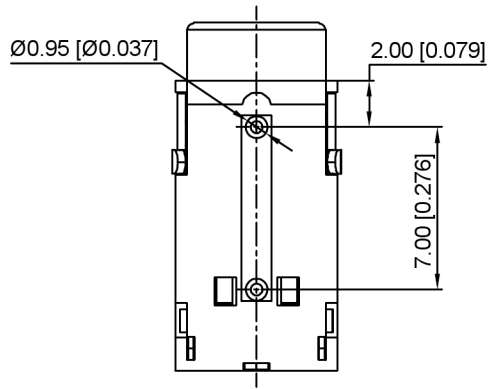
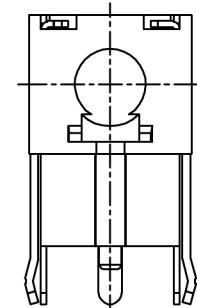


TOP VIEW



A向视图



color	B:Black R:Red G:Green
	Y:Yellow BL:Blue

	MATERIAL	PLATING
terminal 1	Phosphor Bronze	tin
terminal 2	Phosphor Bronze	tin
terminal 3	Phosphor Bronze	tin
terminal 4	Phosphor Bronze	tin
plastic	Pbt	

广东星坤科技股份有限公司

Δx	日期
Δx	日期
Δx	日期
MARK	DESCRIPTION

文件工程章

REVISIONS	DATE	REVISED	APPROVED	UNSPECIFIED TOLERANCES

www.helloxkb.com www.helloxkb.cn www.xk-dg.cn

ANGLAR	±5°
L ≤ 4	±0.2
4 < L ≤ 16	±0.3
16 < L ≤ 63	±0.4
L > 63	±0.5



XKB INDUSTRIAL PRECISION CO., LIMITED

DSND	SCALE: N/A	MODEL TYPE: 3.5 PHONE JACK
DWN	VIEW:	PART NO.: PJ-322A-X
CHKD	UNIT: mm/in	DWG NO.:
APPD	SIZE: A4	

WEIGHT	SHEET	REVISIC
	1/1	A0